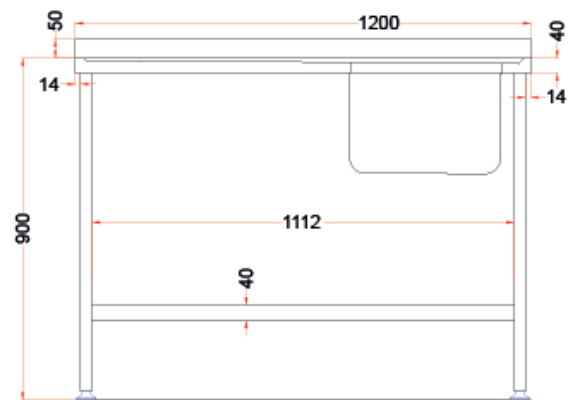
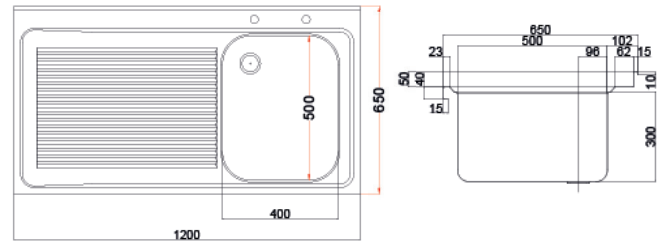


STAINLESS STEEL SINK - DR363 FLATPACK



DIMENSIONS



The 1200mm wide stainless steel sink from Holmes features a left side drainer with right side bowl, and is easy to assemble. Manufactured using the highest grade 304 stainless steel, the sink is easy to clean whilst offering high resistance to corrosion and staining making it perfect for use in commercial kitchens. The sink is ideally suited to practical and hygienic washing areas in your kitchens, features a robust undershelf for additional storage or as a platform for appliances or stock.

TECHNICAL DATA

Unpacked height (mm)	900 + 50 upstand
Unpacked width (mm)	1200
Unpacked depth (mm)	650
Weight (kg)	17
Material top	SAE grade 304; EN 1.4301, X5CrNi18-10
Material sub-top	SAE grade 430; EN 1.4016, X6Cr17
Surface finish	Satin
Type of Mounting	Floor
Feet	Adjustable

Property of Holmes