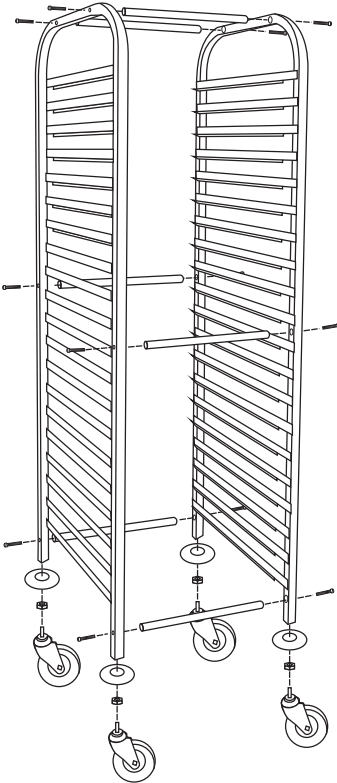


Note: Be sure to check all packaging materials for any small parts that may have come loose during transportation.

Parts

Part	Quantity
Side frame	x2
Cross members	x6
Castors	x2
Castors with brakes	x2
Castor covers	x4
Screws (A 6L) 12	x12
Nuts	x4
Castor covers	x1
Allen Key	x1



Safety Tips

- DO NOT stand or climb on the trolley.
- DO NOT drop heavy items on the trolley.
- DO NOT place heavier items on the top of the trolley than on the bottom.
- Whilst all care has been taken to remove sharp edges, care must be taken when cleaning or handling the trolley to prevent risk of injury from exposed metal edges.

Cleaning

- Clean the trolley using warm soapy water.
- Dry thoroughly after cleaning.

Assembly

1. Attach the six cross members to one of the side frames, using six of the screws supplied.
2. Lay this side frame on the floor with the cross members pointing upwards.
3. Carefully position the second side frame on top of the cross members. Attach using the remaining screws.
4. With the assembled frames still on their side, screw the covers and castors into frames.

Note: The braked castors should be at the front of the trolley. If the castors are not evenly touching on the floor, adjust the castors until it evenly assembled and firmly fix with the hex nut.