

FAB5RPK6



Product Family	Refrigerator
Installation	Free Standing
Category	One Door
Reference width	Until 60 cm
Reference height	Until 100 cm
Cooling type	Static
Defrost	Automatic
Hinge type	Standard
Hinge position	Right
EAN code	8017709349974



Aesthetics

Aesthetics	50's Style	Logo colour	Chrome
Colour	Pink	Side material	Steel
Design	Rounded	Side colour	Pink
Finishing	Gloss	Logo	Applied
Material	Heat-moulded	Door shelves profile colour	Chrome
Handle	External	Drawers profile colour	Chrome
Handle type	Fixed	Colour of glass shelf profile	Chrome
Handle colour	Chrome		

Refrigerator compartment features



No. of adjustable shelves	2	Internal light in fridge	Yes
Shelves material	Glass	Type of internal light (fridge)	LED
No. of lights	1		

Refrigerator Inner Door

Number of adjustable door shelves	1	No. of bottle shelves	1
Adjustable door shelves with wire support	Yes	Bottle shelves with wire support	Yes

Other technical features

Type of temperature control	Electronic
Refrigerant gas type	R600a
Type of compressor	Standard
Refrigerant Quantity (g)	19 g
Foam agent	Cyclopentane

Performance / Energy Label

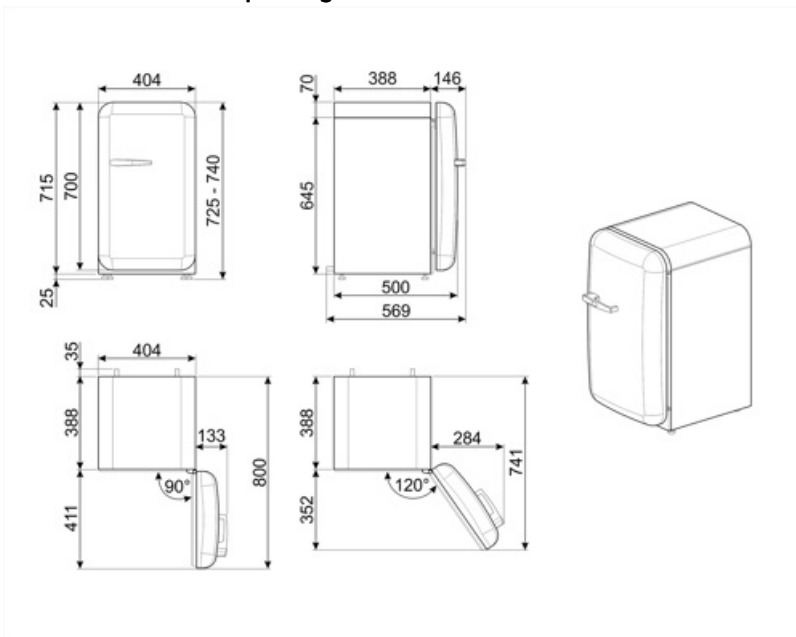
			
Annual energy consumption	49 kWh/year	Sum of the volumes of the chill compartment(s) and the unfrozen compartment(s)	34 l
Energy efficiency class	C	Noise level	36 dB(A) re 1 pW
Airborne acoustical noise emission class	C	Climatic class	SN, N, ST, T
Total volume	34 l	EI	63 %

Electrical Connection

Nominal power	60 W	Frequency (Hz)	50 Hz
Current	0.3 A	Power supply cable length	100 cm
Voltage (V)	220-240 V	Plug	(F;E) Schuko

Logistic Information

Width (mm)	404 mm	Product depth with handle	570 mm
Depth without handle	500 mm	Product depth with doors open at 90°	800 mm
Product Height with feet	725 mm	Spacer depth	30 mm
Product width with maximum doors opening	707 mm		



Compatible Accessories

KITCABLE90UK

Cable with IEC connector and UK plug

Alternative products



FAB5RWH6

Hinge position: Right
White



FAB5RDUJ6

Hinge position: Right
Decorated / Special



FAB5RCR6

Hinge position: Right
Cream



FAB5RPB6

Hinge position: Right
Pastel Blue



FAB5RBL6

Hinge position: Right
Black



FAB5ROR6

Hinge position: Right
Orange



FAB5RRD6

Hinge position: Right
Red



FAB5RDGC6

Hinge position: Right
Decorated / Special



FAB5RSV6

Hinge position: Right
Silver



FAB5RPG6

Hinge position: Right
Pastel Green



FAB5RDGME6

Hinge position: Right
Decorated / Special



FAB5LCR6

Hinge position: Left
Cream

FAB5RDAPO6

Hinge position:
Decorated / Special

Symbols glossary



The automatic defrost system works by automatically defrosting at regular intervals eliminating the need to defrost altogether.



Energy efficiency class C



A+++: Appliances with this symbol can reduce energy consumption by a further 30% from the standard A energy rating.



LED interior lighting: is a more energy efficient and long lasting way of illuminating the interior of the appliance.