



D5H/75S - Seal 500 Series Counter-top Heated Merchandiser - Self-Service - W 750 mm - 1.52 kW

Keep hot meats, pasties, pies and other foods at the perfect temperature with the Seal 500 Range Heated Merchandiser.

- ✓ Elegant extruded aluminium frames and metallic silver finish enhance display without detracting from contents
- ✓ Precise thermostatic control up to 95°C with digital display of cabinet temperature ensures food is maintained at a safe temperature
- ✓ Minimum food holding temperature of 72°C
- ✓ Humidity feature prevents food drying out - food stays in optimum condition for longer, reducing waste
- ✓ All-round visibility to maximise food sales potential
- ✓ Daylight-balanced illumination to enhance display of contents with easy change clip-in fluorescent light tubes

Specifications

Summary

| | |
|----------------------|-----------------------------------|
| Range Name | Seal |
| Power Type | Electric |
| Unit Type | Counter-top |
| Available in UK Only | No |
| UK Warranty | 2 Years Parts and Labour Warranty |
| Export Warranty | Contact your local dealer |
| GTIN Code | 5056105104063 |

Power and Performance

| | |
|----------------------|------------|
| Total Power kW | 1.52 |
| Temperature Range °C | 72 - 95 |
| IP Rating | IP33 |
| Temperature Control | Mechanical |

Key Specifications

| | |
|----------------------------|--------------|
| Number of Shelves included | 2 |
| Number of Shelf Positions | 2 |
| Service Type | Self service |
| Rack Type | Static |
| Type of Lighting | Fluorescent |
| Heated Base | Yes |

Weights and Dimensions

| | |
|---------------------------|-----|
| Unit Height (External) mm | 575 |
| Unit Width (External) mm | 750 |
| Unit Depth (External) mm | 500 |
| Shelf Dimensions Width mm | 650 |
| Shelf Dimensions Depth mm | 375 |
| Net Weight Kg | 36 |

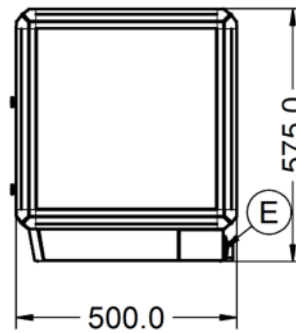
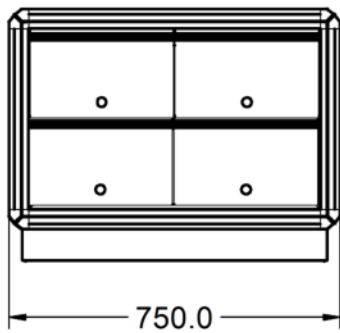
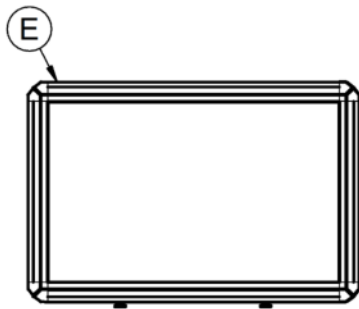
Supply Connections

| | |
|--------------------------------|-------|
| Requires Installation | No |
| UK 3 Pin Plug | Yes |
| Requires Hardwiring | No |
| Electrical Supply Rating Watts | 1,520 |
| Single Phase Amps | 6.6 |
| Single Phase Voltage | 230 |

Shipping

| | |
|------------------|-----|
| Packed Weight Kg | 50 |
| Packed Height cm | 68 |
| Packed Width cm | 100 |
| Packed Depth cm | 80 |

Technical Picture



Lincat Limited

Whisby Road,
Lincoln, LN6 3QZ,
United Kingdom

Company No: 2175448

A member company of



Customer Care

Tel: +44 1522 875500
Email: care@lincat.co.uk

Export Customers

Tel: +44 1522 503250
Email: export@lincat.co.uk

Opening Hours

Monday – Friday:
8.30am – 5pm