



MIX

NEXT GENERATION
WATER BOILERS

UC3 MULTI-TEMP

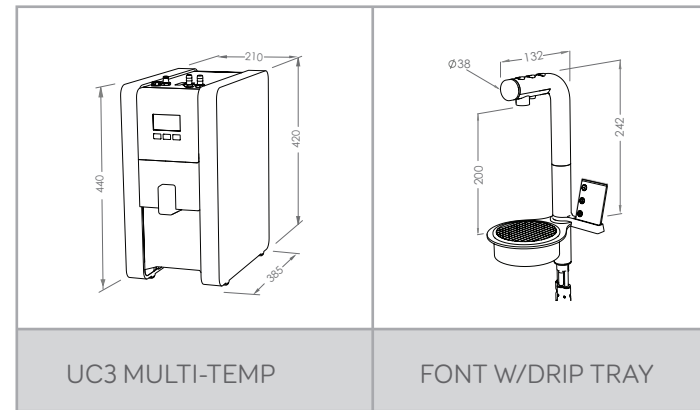
FONT W/DRIP TRAY



FEATURES/

- Next generation energy efficiency.
- Vacuum insulation.
- Multi-temp on selected models.
- Built-in water filter on selected models.
- Accurate programmable portion dispenses.
- Counter-top and under-counter.
- Autofill/plumbed.
- Modern stylish fonts.
- Drip tray kit for counter-top or in-counter installation.

DIMENSIONS/



IDEAL FOR
ARTISAN CAFÉS,
SPECIALITY
COFFEE
ROASTERS,
CAFÉ CHAINS,
BARS AND
RESTAURANTS

SPECS/OPTIONS

| DESCRIPTION | ORDER CODE | IMMEDIATE DRAW OFF (L) | OUTPUT PER HOUR | CUPS PER HOUR | POWER @ 230V | WEIGHT (KG) |
|---------------------------------|------------|------------------------|-----------------|---------------|--------------|-------------|
| MIX UC3 Multi-temp | 1000880 | 3 | 28 | 156 | 2.8kW | 11 |
| MIX Font Single Button** | 1000877 | - | - | - | - | 2.5 |
| MIX Font Three Button** | 1000878 | - | - | - | - | 2.5 |
| MIX Font Drip Tray | 1000879 | - | - | - | - | 1.5 |

| DESCRIPTION | DIMENSIONS (DxWxHmm) | T (mm) | PACKAGING (DxWxHmm) | QTY PER PALLET | PLUMBING REQUIREMENTS |
|---------------------------------|----------------------|----------|---------------------|----------------|-----------------------|
| MIX UC3 Multi-temp | 385x210x440 | - | 450x290x540 | 24 | 3/4" BSP |
| MIX Font Single Button** | 132x38x242 | 166/198* | 290x570x215 | 30 | - |
| MIX Font Three Button** | 132x38x242 | 166/198* | 290x570x215 | 30 | - |
| MIX Font Drip Tray | 170x125x35 | - | - | - | - |

*surface mounted drip tray/inset mounted drip tray

**Font and drip tray sold individually

FOR CUSTOMER CARE/SPARES & SERVICE VISIT

WWW.MARCOBEVERAGESYSTEMS.COM