
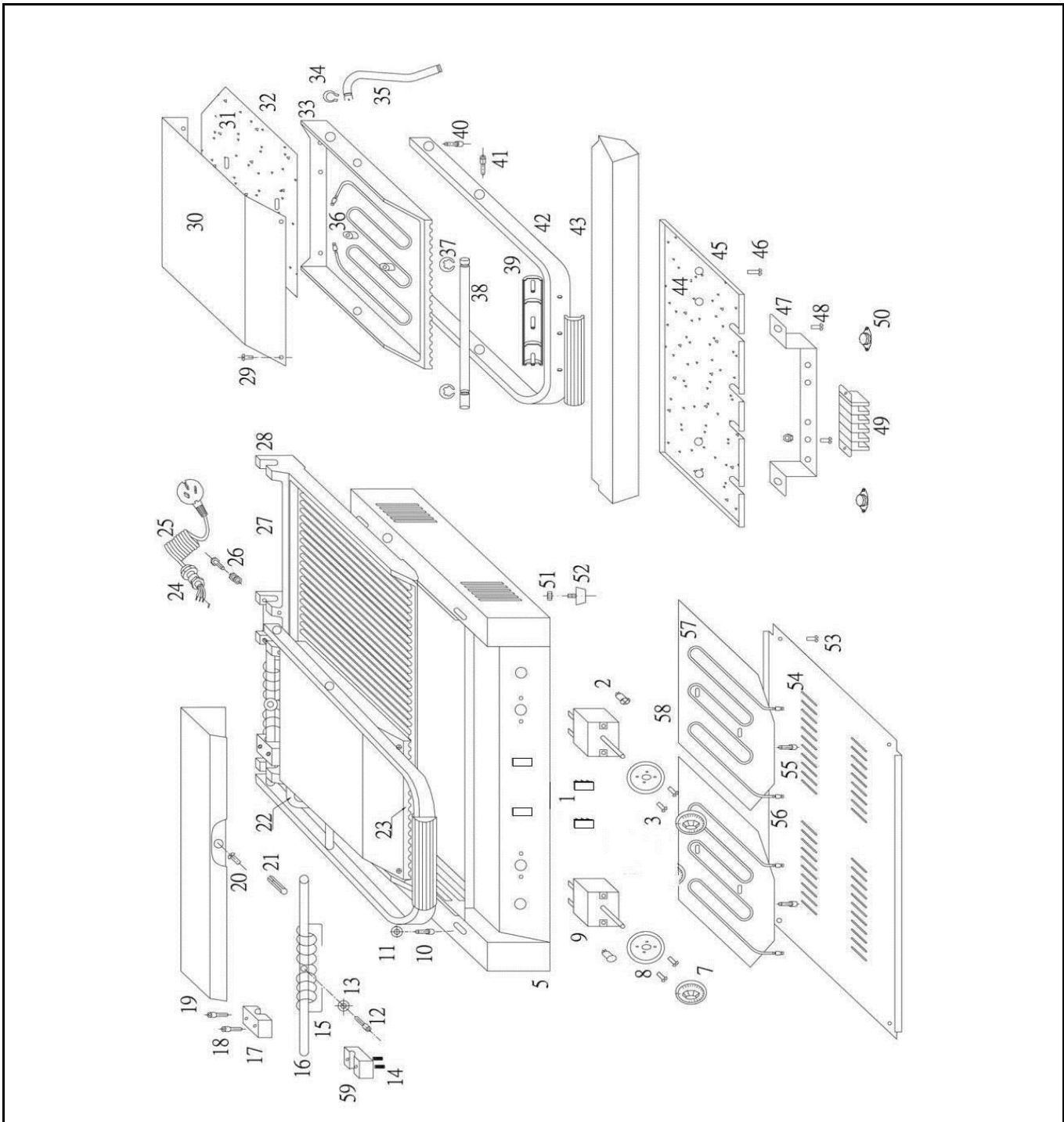



Drawing

 <p>Hendi B.V. Steenoven 21 3911 TX Rhenen The Netherlands</p>	Batch #	Appliance part#
	662344 and up	263709
	Description	
	Contact grill - double version	

Date	15-02-2017	Revision #	Revision version 1.1
Revision	New model.		



Bill of materials (BOM)

 HENDI <small>FOOD SERVICE EQUIPMENT</small> Hendi B.V. Steenoven 21 3911 TX Rhenen The Netherlands	Batch #	Appliance part#
	662344 and up	263709
	Description	
	Contact grill - double version	

Date	15-02-2017	Revision #	Revision version 1.1
Revision	New model.		


Item	Description	Part#	Quantity	Remark	Picture
1	Switch	205426	2		
2	Heating indicator	912003	2		
3	Crosshead screw	n/a	4		
5	Housing	n/a	1		
7	Knob thermostat	942222	2	Incl item 7;8	
8	Base plate with dail	nss	2		
9	Thermostat	902011	2		
10	Inner hexagon screw	n/a	4		
11	Washer	n/a	4		
12	Inner hexagon screw	902202	2	Incl item 12;13	
13	Washer	nss	2	Available as 902202	
14	Tension spring for brake shoe	nss	4	Available as 923278	
15	Torsion spring	901908	2		
16	Back axle	912195	2		
17	Brake shoe complete set	932278	2	Incl item 14;17;18;59	
18	Inner hexagon screw	nss	4	Available as 923278	
19	Back upper cover	n/a	2	Incl item 19;20	
20	Crosshead screw	nss	2	Available as 912218	
21	Locking pin	902240	2		
22	Wire tube for left upper element	n/a	1		
23	Upper grill plate (left side)	n/a	1		
24	Cordinlet with retention	nss	1	Available as 912027	
25	Powercord	912027	1	Incl item 24	
26	Earth bonding screw for powercord	n/a	1		
28	Bottom grill plate	n/a	1		
29	Crosshead screw	n/a	8		
30	Housing cover upper element	n/a	2		
31	Isolation upper element	n/a	2		
32	Heating element cover upper grill plate	n/a	2		
33	Upper grill plate (right side)	n/a	1		
34	Spring clamp for wire guide tube	n/a	2		
35	Wire tube for right upper element	n/a	1		
36	Upper element	904503	2		
37	Spring clamp for upper axle	n/a	4		
38	Upper axle	n/a	2		
39	Handle cover	n/a	2		
40	Inner hexagon screw	nss	4	Available as 912157	
41	Inner hexagon screw	nss	4	Available as 912157	
42	Frame of handle	912157	2	Incl item 40;41;42	
43	Oil drip tray	263983	1		
44	Isolation lower element	n/a	1		
45	Lower cover plate	n/a	1		
46	Crosshead screw	n/a	8		
47	Bracket for terminal	n/a	1		
48	Crosshead screw	n/a	2		
49	Terminal block	942239	1		
50	Hi-limiter	902004	2		
51	Hexagon screw	nss	4	Available as 912058	
52	Appliance foot	912058	4	Incl item 51;52	
53	Crosshead screw	n/a	6		
54	Bottom plate	n/a	1		
55	Inner hexagon screw	n/a	4		
56	Lower heating element	904510	1		
57	Heating element cover lower grill plate	n/a	2		

59	Lower brake shoe	nss	2	Available as 923278	

n/a -> not available

nss -> not sold separately

Circuit diagram

 <b style="font-size: 2em; color: red;">HENDI <small>FOOD SERVICE EQUIPMENT</small> Hendi B.V. Steenoven 21 3911 TX Rhenen The Netherlands	Batch #	Appliance part#
	662344 and up	263709
	Description	
	Contact grill - double version	

Date	15-02-2017	Revision #	Revision version 1.1
Revision	New model.		

