

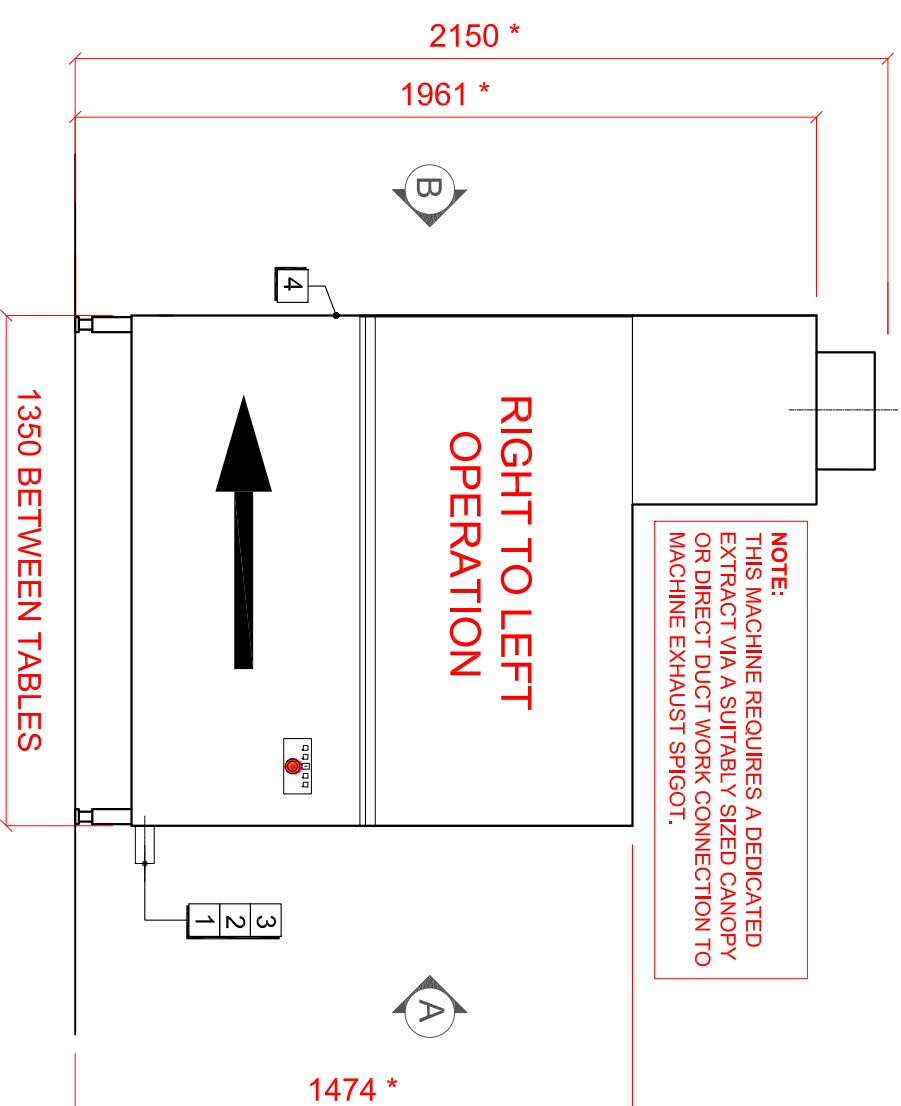
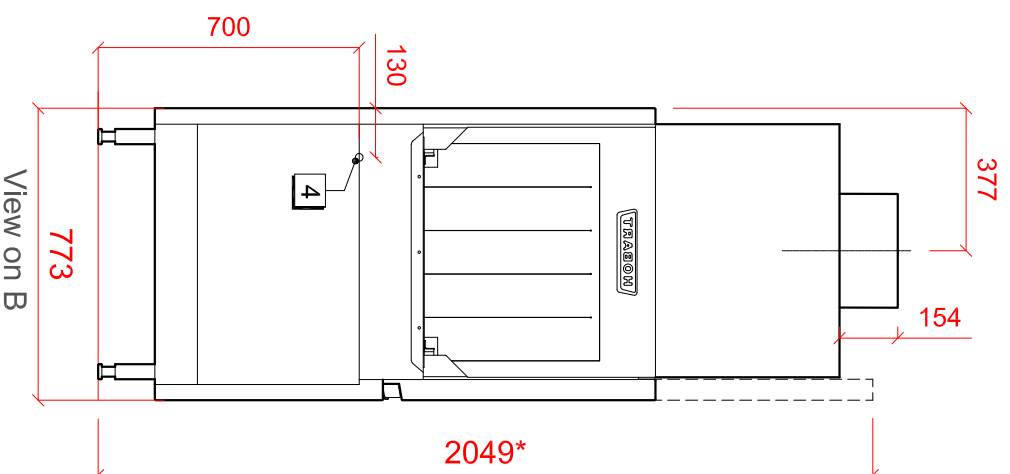
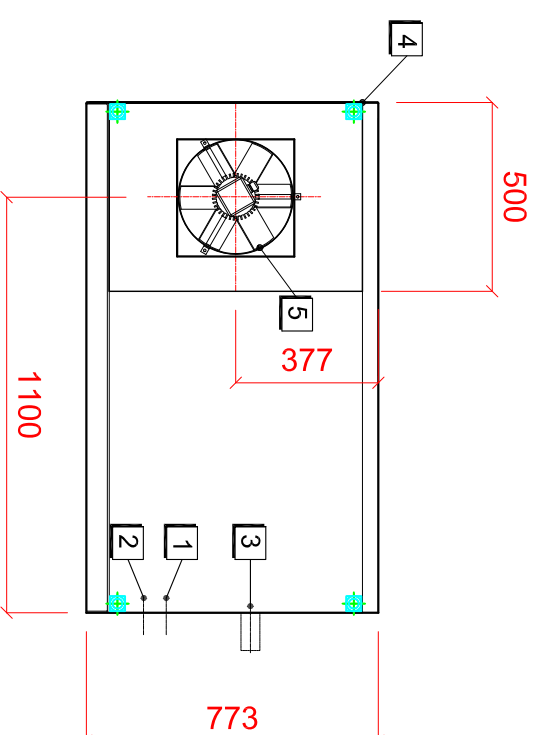


ecomax plus
by HOBART

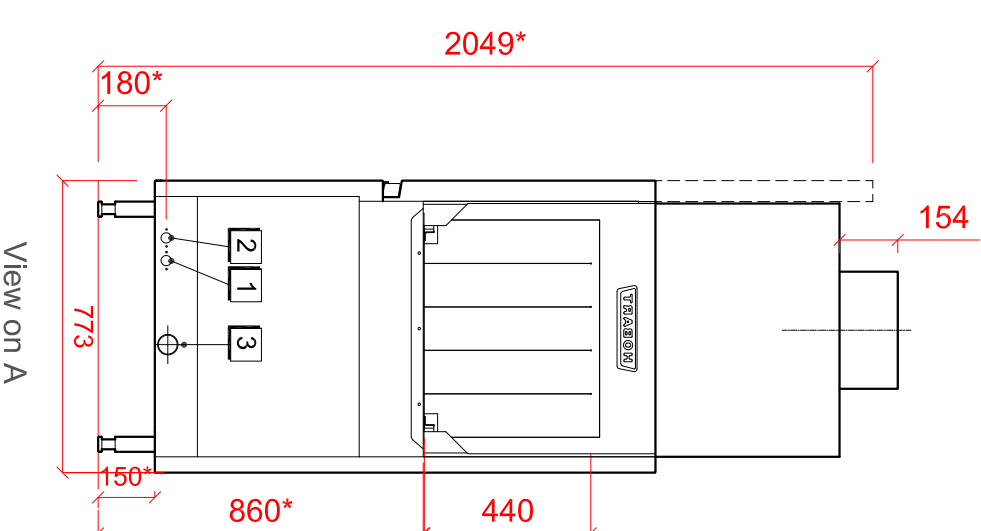
ECOMAX (HOBART UK)
SOUTHGATE WAY,
ORTON SOUTHGATE,
PETERBOROUGH,
PE2 8SN
TEL: 0970 168 8881
www.hobartindependent.co.uk

Rack Type Dishwasher Right to Left Operation

C815-A



NOTE:
THIS MACHINE REQUIRES A DEDICATED EXTRACT VIA A SUITABLY SIZED CANOPY OR DIRECT DUCT WORK CONNECTION TO MACHINE EXHAUST SPIGOT.



<p>1 Water for Rinse</p>	<p>2 Hot Water for Tank Fill</p>	<p>3 Main machine drain</p>	<p>4 Electric Loading</p>	<p>5 Extract requirements</p>
<p>HOT FEED 3/4" B.S.P. Approx 50°C 1.5 BAR MIN TO 6.0 BAR MAX. MAX HARDNESS 8° CLARK.</p> <p>COLD FEED 3/4" B.S.P. Approx 10°C 1.5 BAR MIN TO 6.0 BAR MAX. MAX HARDNESS 8° CLARK.</p> <p>USAGE 160 LITRES PER HOUR.</p>	<p>3/4" B.S.P. Approx 50°C 1.0 BAR MIN TO 6.0 BAR MAX. INITIAL TANK FILL 110 LITRES. MAX HARDNESS 8° CLARK</p> <p>NOTE: FILLING WITH WATER AT LESS THAN 50°C WILL INCREASE INITIAL HEAT UP AND RECOVERY TIMES.</p>	<p>MAIN MACHINE: GRAVITY DRAIN 50mm INSIDE DIAMETER. PEAK FLOW RATE 55 LITRES/MINUTE.</p>	<p>C815-A (Hot Feed Approx 50°C to Booster) 400/50/3 + N + E 22.3kW Fuse at 50amps/Phase. C815-A (Cold Feed Approx 10°C to Booster) 400/50/3 + N + E 29.8kW Fuse at 63amps/Phase.</p>	<p>MACHINE FITTED WITH EXHAUST FAN DISCHARGING 280m³/hr AT 44°C-46°C AND 90-98% FT. THERE SHOULD BE A GENERAL PROVISION FOR ROOM VENTILATION DELIVERING A MINIMUM OF 30 AIR ROOM CHANGES PER HOUR AS PER LATEST DW172 SPECIFICATION</p> <p>Notes</p> <p>CLASS 'AB' AIR GAP FITTED AS STANDARD. HEIGHTS MARKED * REPRESENT ±25mm. MINIMUM CLEARANCE FROM REAR WALL 44mm.</p>