



GR7/P - Silverlink 600 Propane Gas Counter-top Salamander Grill - W 750 mm - 6.8 kW

The Silverlink 600 Gas Salamander Grill boasts even heat distribution for maximum output, meaning that producing perfectly grilled meat, fish, and toast has never been as simple or stress-free.

- ✓ Powerful ceramic plaque burners for rapid heat up
- ✓ Cool touch handles for safety
- ✓ 4 shelf positions to give maximum flexibility for all catering operations
- ✓ Enamelled interior and hood for easy cleaning
- ✓ Supplied with a double sided alloy branding plate and fat collection tray
- ✓ Flame failure device for maximum safety

Specifications

Summary

Range Name	Silverlink 600
Power Type	Gas
Gas Type	Propane Gas
Unit Type	Counter-top
Available in UK Only	No
UK Warranty	2 Years Parts and Labour Warranty
Export Warranty	Contact your local dealer
GTIN Code	5056105104766

Power and Performance

BTU per Hour	23,202
Total Power kW	6.8
Cooking Area (Width x Depth) mm	580 x 275
Temperature Control	Mechanical

Key Specifications

Number of Shelves included	1
Number of Shelf Positions	4
Number of Heat Zones	1

Weights and Dimensions

Unit Height (External) mm	405
Unit Width (External) mm	750
Unit Depth (External) mm	423
Shelf Dimensions Width mm	580
Shelf Dimensions Depth mm	275
Net Weight Kg	34.7

Supply Connections

Requires Installation	Yes
Gas Connection BSP	1/2"
Gas Consumption at full rate Propane m³ per Hour	0.44
Gas Pressure Propane mbar	37.0
Total heat input at full rate Propane kW	6.8
Total heat input at full rate Propane BTU per hour	22,200

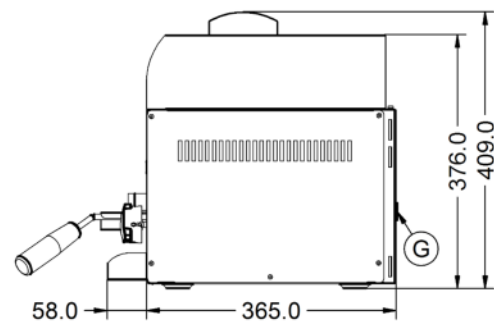
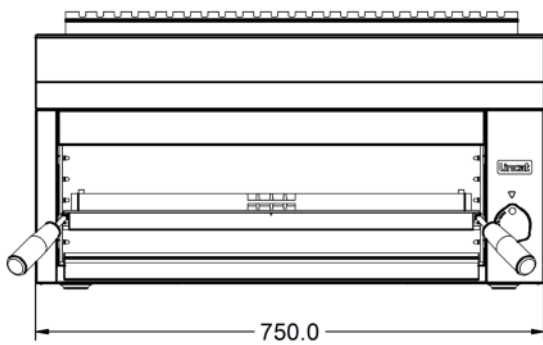
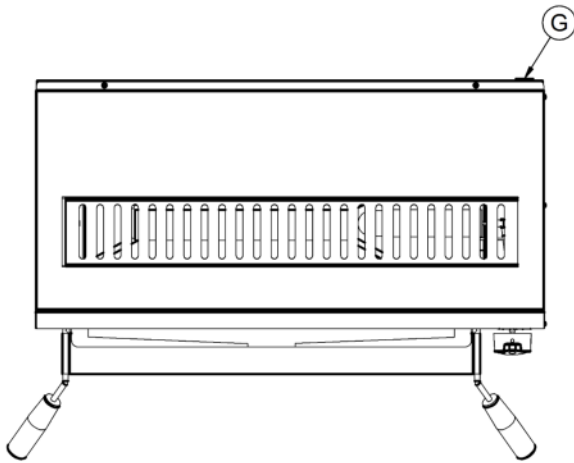
Shipping

Packed Weight Kg	41
Packed Height cm	49.5
Packed Width cm	85.5
Packed Depth cm	70

Available Accessories

BR39	BRANDER GR7
CH01	CATERFLEX HOSE 1/2" 1 METRE
CH02	CATERFLEX HOSE 1/2" 1.5 METRE
GR7/BS	BENCH STAND FOR GR7
GR7/FS	FLOOR STAND FOR GR7
GR7/WS	WALL SHELF FOR GR7

Technical Picture



Lincat Limited

Whisby Road,
Lincoln, LN6 3QZ,
United Kingdom

Company No: 2175448

A member company of



Customer Care

Tel: +44 1522 875500
Email: care@lincat.co.uk

Export Customers

Tel: +44 1522 503250
Email: export@lincat.co.uk

Opening Hours

Monday – Friday:
8.30am – 5pm