

## Lynx 400 Bains Marie

### Key Features

- Type: Electric
- Counter top unit
- Simmerstat temperature control
- Supplied with stainless steel pots and lids



LRB2

### Construction

- Body: stainless steel grade 430
- Pots and lids: stainless steel grade 304

### Available Options

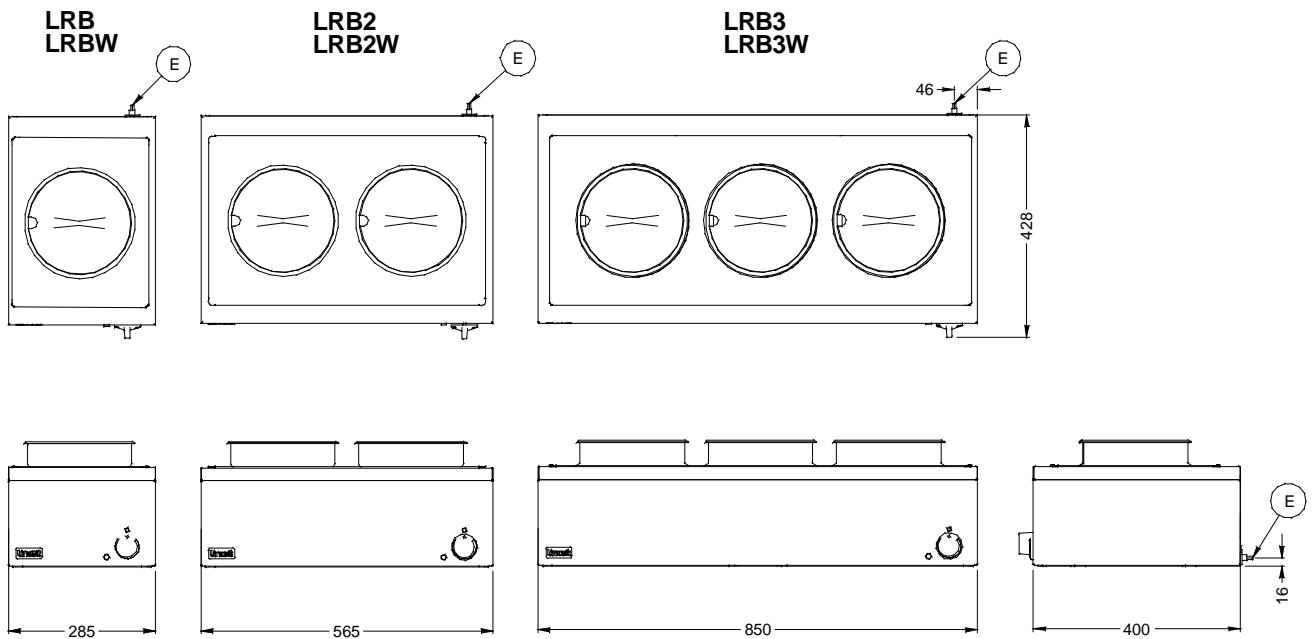
- 1, 2 and 3 pot sizes
- LRB, LRB2 and LRB3 – dry heat only
- LRBWLRBW2 and LRBW3 – wet or dry heat

### Available Accessories

- N/A

## Specifications

Model	LRB / LRBW	LRB2 / LRB2W	LRB3 / LRB3W
External height (mm)	245	245	245
External width (mm)	285	565	850
External depth (mm)	400	400	400
Round pot capacity (litres)	4.5	2 x 4.5	3 x 4.5
Net weight unpacked (kg)	7.2	12	17
Gross weight packed (kg)	10	15	20
Shipping volume (m <sup>3</sup> )	0.090	0.145	0.291
Total power rating (kW)	0.25	0.5	0.75
Electrical supply 1N~+E 230V 50-60Hz Current Rating (A)	1.1	2.2	3.3



Lincat Limited, Whisby Road,  
Lincoln LN6 3QZ,  
United Kingdom

UK Sales Tel: 01522 875500 UK Spares Tel: 01522 875510 UK General Tel: 01522 875555  
UK Fax: 01522 875530 International Sales Tel: +44 1522 503250 International Fax: +44 1522 875530  
Website: [www.lincat.co.uk](http://www.lincat.co.uk) UK Sales e-mail: [sales@lincat.co.uk](mailto:sales@lincat.co.uk) International Sales e-mail: [export@lincat.co.uk](mailto:export@lincat.co.uk)



Document ref:  
LYNXBAINSPOT  
Issue date: Oct-09