

Index	
Page	Content
1	Cabinet and panels
2	Wash system
3	Drain pump
4	Rinse and heating system
5	Chemical dosing versions
6	Water softener
7	Wash and rinse arms
8	Break tank system
9	Control panel
10	Schematic
11	Schematic break tank + Softener
12	Electrical overview

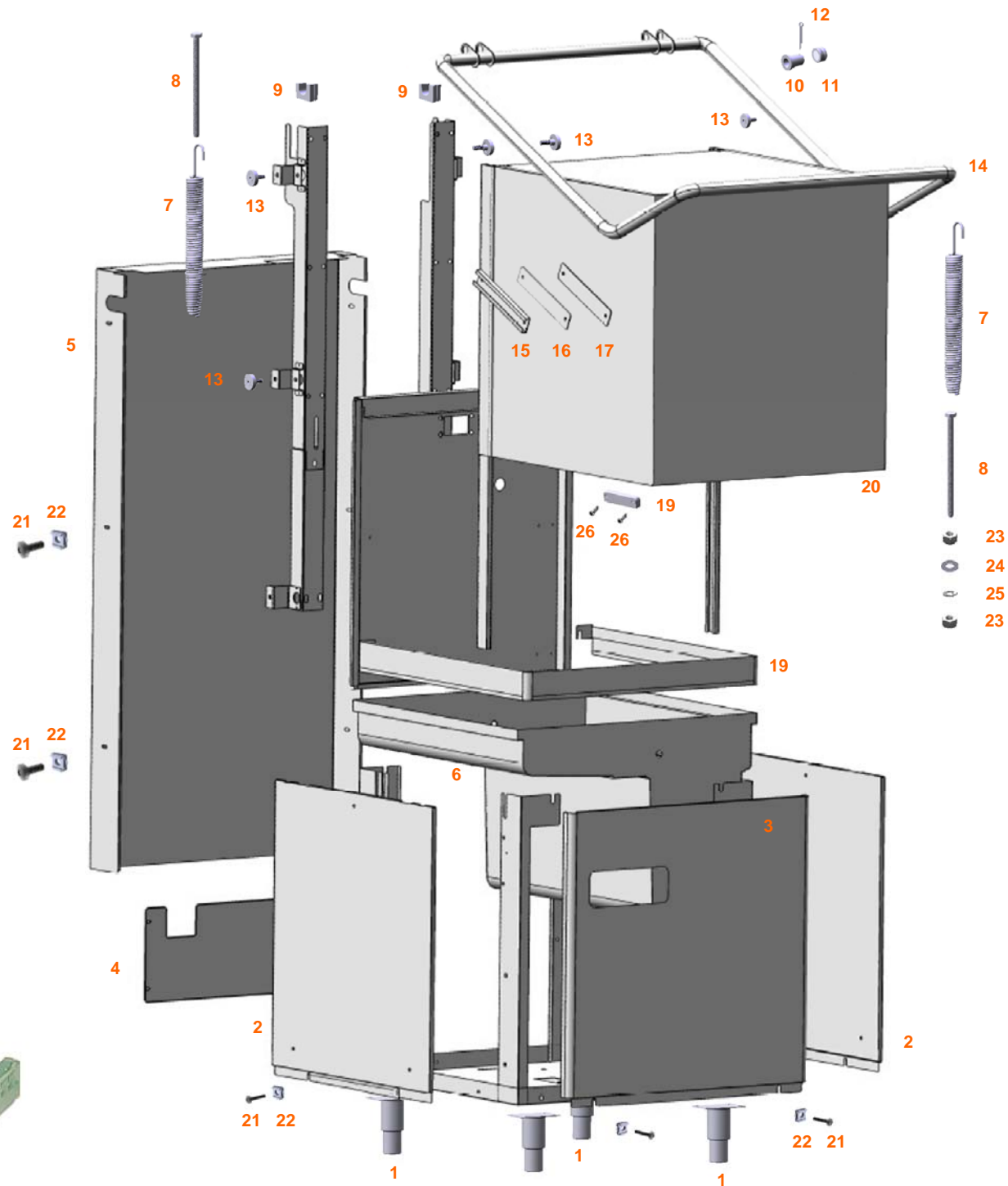
Drain pump	D
Internal water softener	IS
Break tank Type A	A

TECHNICAL DATA

A	Machine height + foot	1475 mm	Water usage average per cycle	2.4 litres	Power supply	30 Amp
B	Machine width	650	Waste outlet hose Ø gravity	25 mm	Total load Kw	6750
C	Machine depth	785 mm	Waste outlet hose Ø drain pump	18.5 mm	Total load Amps	29.3
D	Drain height	470 mm	Wash tank capacity	22 Litres	Boiler element Kw	6000
E	Machine open height + foot	1930	Rinse boiler capacity	5 Litres	Wash tank element Kw	3000
F	Machine depth including handle	965 mm	Water connection hose	3/4 BSP	Wash motor Kw	0.75
G	Usable wash height	400 mm	Water pressure minimum required	2.5 Bar	Rinse boiler temperature	0 ~ 90c
H	Leg height - Adjustable	130 mm	Cycle times - Seconds	180 / 120	Wash tank fixed temperature	60c
I	Services run height	310 mm	Db rating	68		
J	Services run depth	130 mm				



Pos	Code	Description
1	TR0861	FOOT ADJUSTABLE
2	908652	PANEL SIDE LEFT & RIGHT
3	904512	PANEL FRONT WITH CONTROL
4	908670	PANEL REAR LOWER SERVICE OUTLET
5	906371	PANEL REAR FULL LENGHT WITH CUT OUT
6	901953	WASH TANK
7	904137	SPRING HOOD TENSION ENE
8	907221	BOLT FOR SPRING 10x325mm PASS THROUGH
9	908703	BEARING NYLON BLACK HALF MOON SLOTED HANDLE
10	904796	PIN BEARING HANDLE
11	906066	BEARING COLLOR REAR HANDLE HOOD
12	907773	SPLIT PIN FOR BEARING 2x30mm
13	908704	BEARING WHEEL
14	903901	HANDLE HOOD CURVED STYLE PROFILE SD900
15	908511	GUIDE BEARING HANDLE
16	903252	GASKET BEARING GUIDE
17	908512	PLATE BEARING GUIDE
18	903651	DOOR MAGNET ALL MODELS
19	908649	PANEL WASH TANK RIM
20	908547	HOOD COMPLETE SD900 SINGLE SKIN + MAGNET
21	907844	SCREW BOLT M5x10mm
22	902004	CAGED NUT M5
23	902035	NUT M10 FIXING
24	906055	WASHER M10
25	905941	WASHER SPRING M10
26	907654	SCREW M2 9x9,5 DOOR MAGNET FIXING
27	907535	SCREW TWIST 4x16mm PANEL FIXING
28	922881	CAPTIVE SCREW FITTING/PLASTIC PANEL FIXING

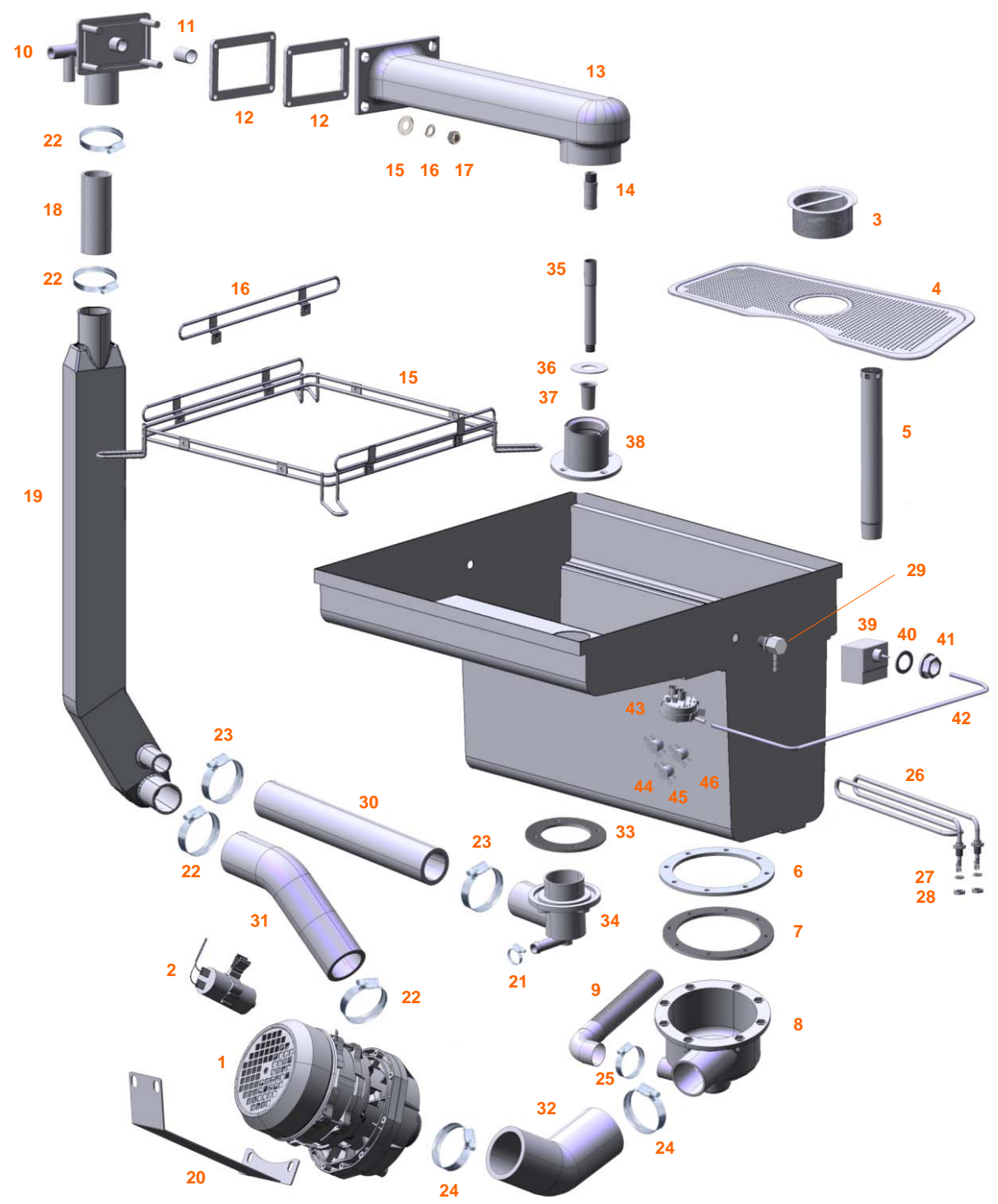


19

20

21

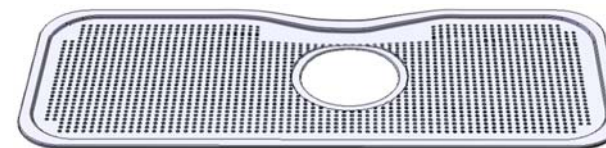
Pos	Code	Description
1	902287	PUMP WASH FRONT MOUNTED
2	901740	CAPACITOR 12.5 uf
3	904898	BOWL FILTER + CENTER HANDLE Ø 98 / 55mm PASSTHROUGH
4	900821	FILTER SURFACE PASS THROUGH KIDNEY ROUND CENTER SCRAPS HOLE
5	907339	DRAIN PLUG PLASTIC H=224mm
6	905238	RIM DISC SUMP 8 HOLE FIXING
7	905378	GASKET LOWER SUMP 8 HOLE FIXING
8	905237	HOUSING SUMP PUMP & WASTE OUTLET 8 HOLE FIXING
9	907440	HOSE WASTE D= 25mm
10	908745	PORT WASH RINSE STRUCTURE EXTERIOR
11	903379	SEAL TUBE WASH ARM PIPE STRUCTURE 35x10x0.5
12	903413	GASKET WASH ARM PIPE STRUCTURE
13	908743	WASH STRUCTURE UPPER PLASTIC
14	904765	WASH PIN-UPPER / LOWER32mm
15	908708	TRACK FOR BASKET NESTING - ROUND ROD
16	927098	GUARD BASKET TRACK LEFT / RIGHT
17	923393	NUT 13mm
18	903707	HOSE WASH PIPE TO PORT
19	908746	WASH REAR PIPE PLASTIC
20	906360	BRACKET WASH PUMP SUPPORT FRONT MOUNTED
21	902440	CLIP 13-20 SIZE 20
22	902480	CLIP 44-56 SIZE 56
23	902441	CLIP 38-50 SIZE 50
24	902490	CLIP 58-75 SIZE 75
25	902460	CLIP 26-38 SIZE 38
26	905748	ELEMENT WASH TANK 3.000 kw + O RINGS + NUTS
27	904391	ORING WASH TANK ELEMENT
28	923393	NUT ELEMENT FIXING
29	902366	ELBOW FITTING WASH TANK DETERGENT ELBOW S/STEEL (NUT+GASKET)
30	908712	HOSE WASH CONECTING
31	903697	HOSE WASH OUTLET FRONT MOUNTED
32	908746	HOSE INLET FRONT MOUNTED WASH PUMP
33	908141	GASKET HUB UPPER/LOWER
34	905449	HUB INLET HOUSING UPPER/LOWER
35	908734	WASH PIN
36	906002	WASHER HUB LOWER
37	908456	SLEVE REDUCING S/STEEL
38	905388	HUB LOWER PLASTIC PART ASSEMBLY FITTING
39	905273	AIR TRAP H=45mm
40	903260	GASKET AIR TRAP 3/8"
41	902111	NUT AIR TRAP PLASTIC 3/8"
42	907279	TUBE SILICONE CLEAR (PER MTR)
43	905275	PRESSURE SWITCH 90/35
44	907243	THERMOSTAT SAFTY SURFACE = 95c (NC) 16Amp
45	907132	THERMOSTAT WASH SURFACE 60c (NC)
46	907126	THERMOSTAT MACHINE READY SURFACE 2011 42c NO
47	927990	BRACKET THERMOSTATS SURFACE x 3 S/STEEL
48	903686	LAMP AMBER MICRO 6mm PUSH CLIP



44		Thermostat Safety overload
45		Thermostat Wash tank element
46		Thermostat Machine ready lamp



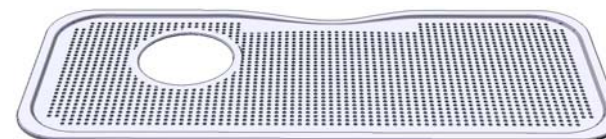
Pos	Code	Description
1	907339	DRAIN PLUG PLASTIC H=224mm
2	905237	HOUSING SUMP PUMP & WASTE OUTLET 8 HOLE FIXING / 55mm WASH INLET
3	905236	HOUSING SUMP PUMP & WASTE OUTLET 8 HOLE FIXING / 45mm WASH INLET
4	900821	FILTER SURFACE PASS THROUGH KIDNEY CENTER SCRAPS HOLE
5	904898	BOWL FILTER + CENTER HANDLE Ø 98 / 55mm PASSTHROUGH
6	902621	FILTER SURFACE PASS THROUGH KIDNEY FRONT SCRAPS HOLE
7	907951	FILTER BOWL S/STEEL 8 HOLE SUMP Ø 98 / 55mm PASSTHROUGH LOWER & UPPER
8	902572	FILTER SURFACE PASS THROUGH RECTANGLE FRONT ROUND HOLE
9	906703	FILTER SURFACE PASS THROUGH RECTANGLE HOLE FOR RECTANGLE CONTAINER
10	906704	FILTER CONTAINER SCRAPS RECTANGLE
11	905245	HOUSING SUMP PUMP & WASTE OUTLET 4 HOLE FIXING
12	907342	DRAIN PLUG H=224mm PPL PLASTIC



4



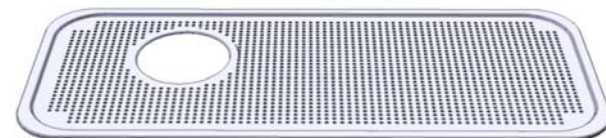
5



6



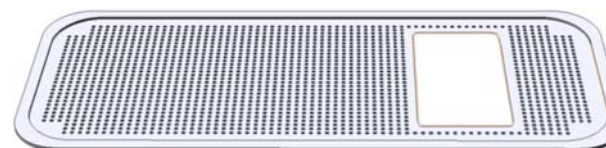
7



8



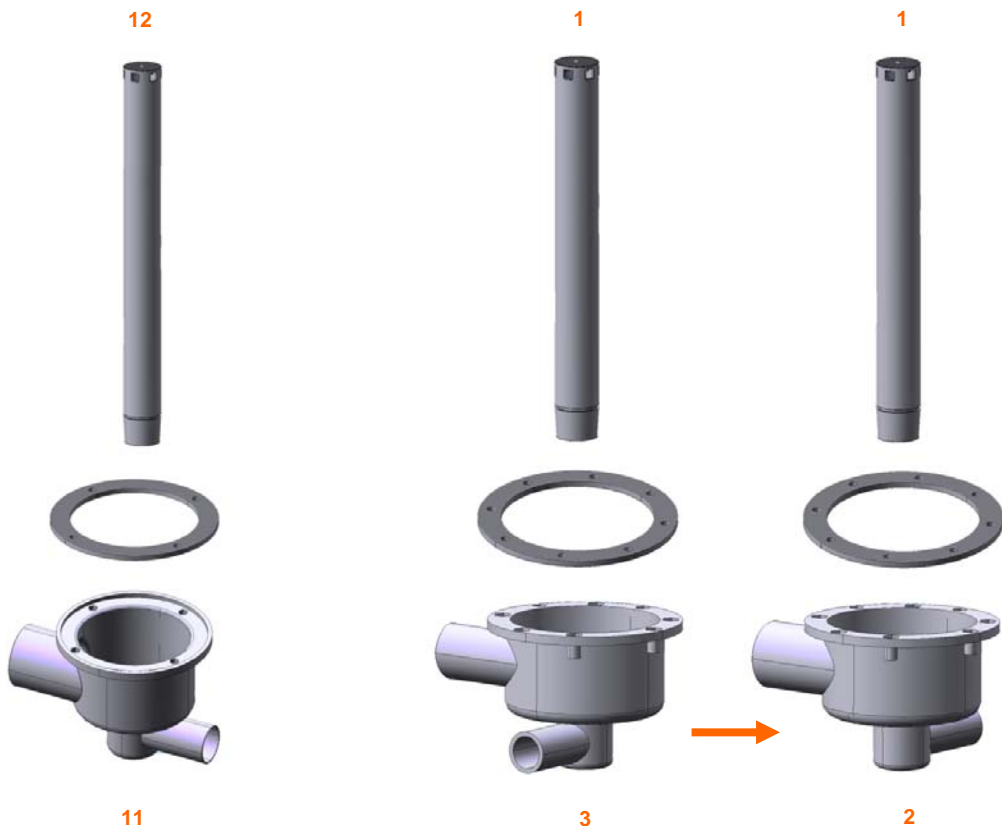
7



9



10



11

3

2

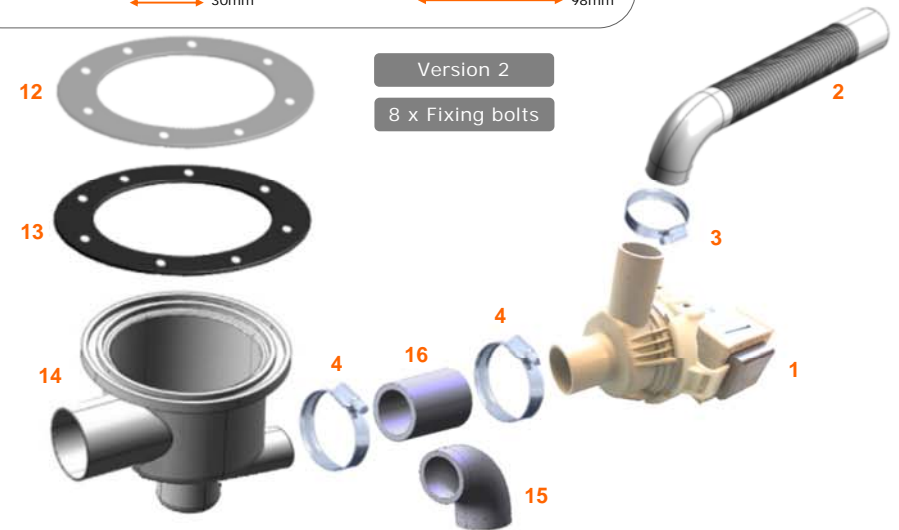
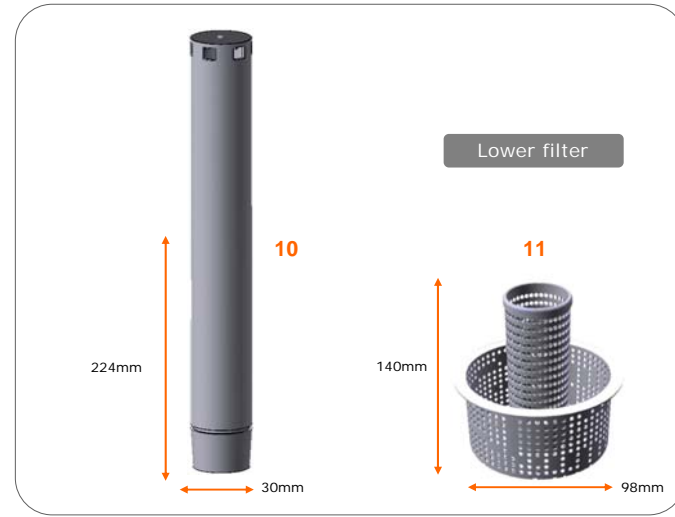
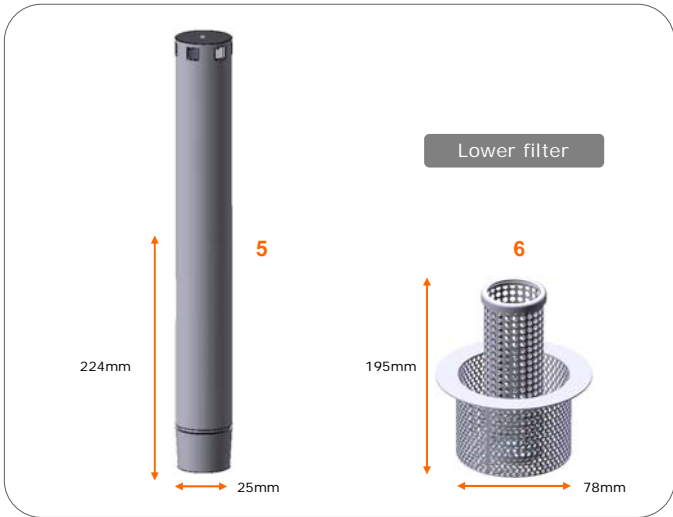
Version 1

4 x Fixing bolts

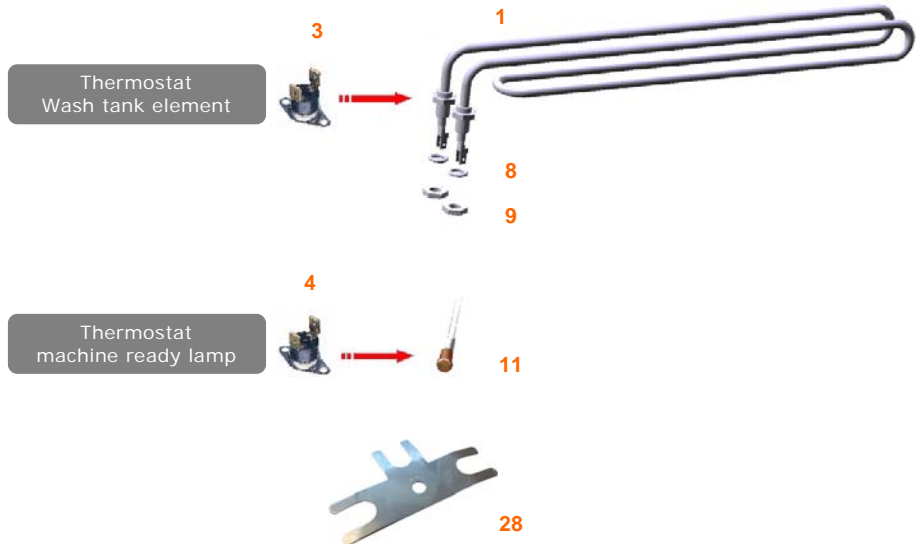
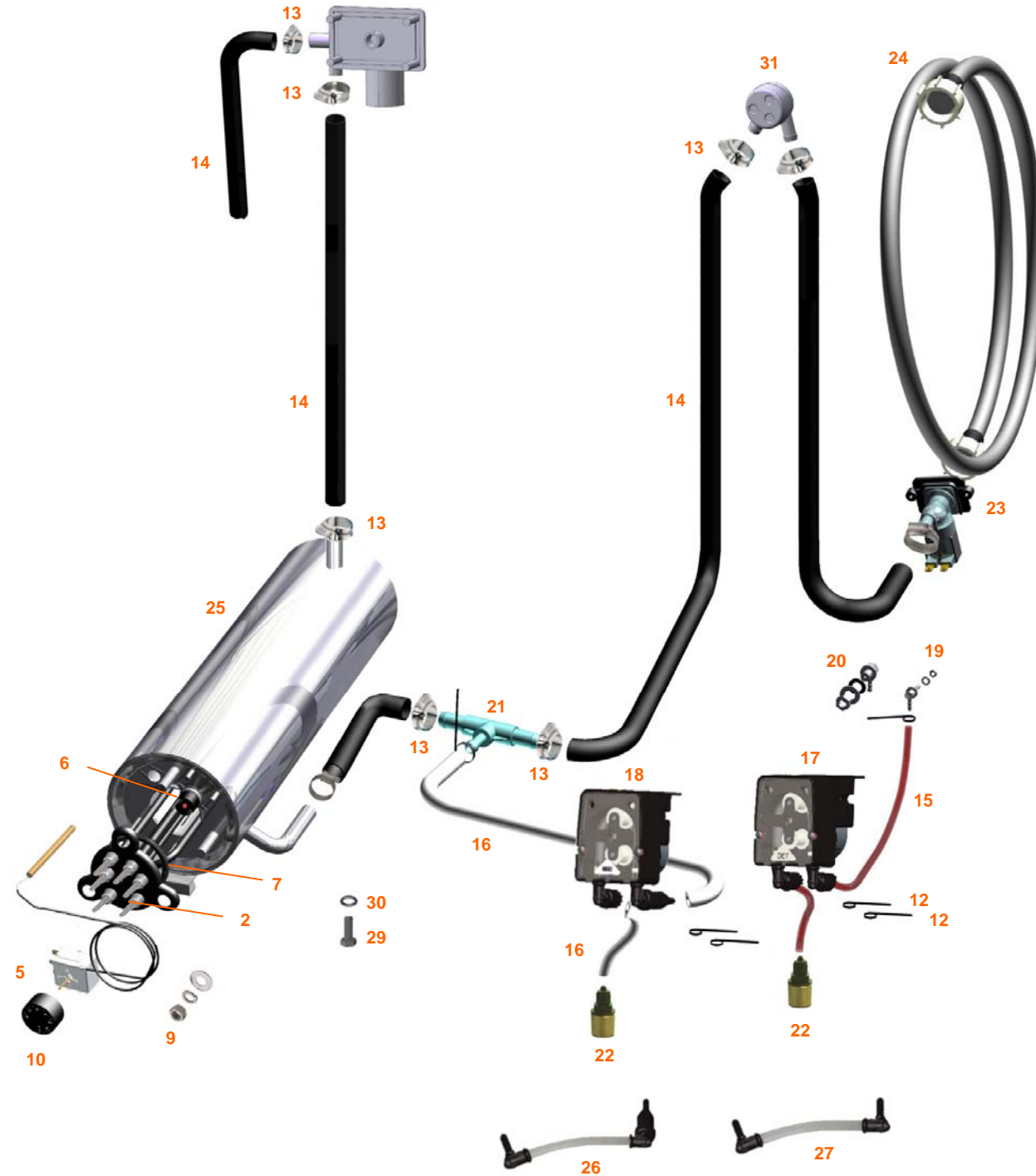
Version 2

8 x Fixing bolts

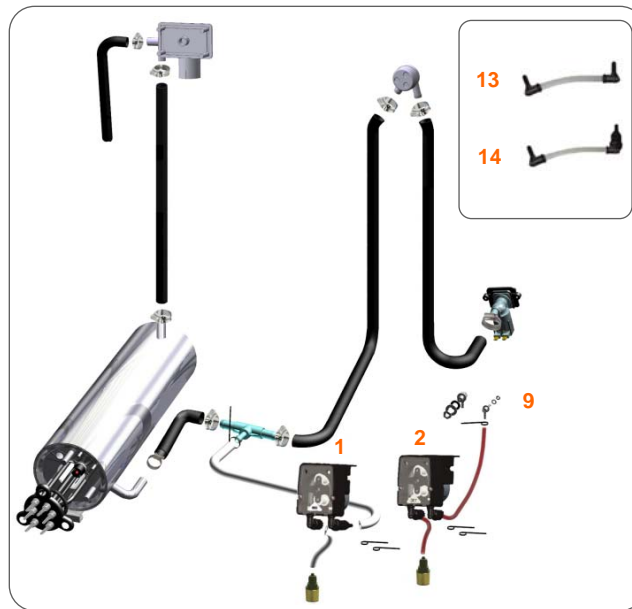
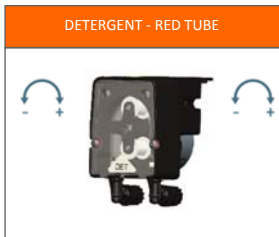
Pos	Code	Description
1	902332	DRAIN PUMP 40w NO FAN HANN
2	907439	HOSE WASTE D=18.5 L=2000 DRAIN PUMP MODELS
3	902454	CLIP 19-28 SIZE 28
4	902460	CLIP 26-38 SIZE 38
5	907342	DRAIN PLUG H=224mm PPL PLASTIC
6	902395	FILTER BOWL LOWER 195mm 4 HOLE SUMP PASSTHROUGH
7	905256	RIM SUMP PLACTIC 4 HOLE
8	905257	GASKET LOWER SUMP 4 HOLE
9	905245	LOWER SUMP FITTING 4 HOLE
10	907339	DRAIN PLUG PLASTIC H=224mm
11	902406	FILTER BOWL LARGE SUMP INSERT H=140mm Ø98mm 8 HOLE SUMP
12	905238	RIM DISC SUMP 8 HOLE FIXING
13	905378	GASKET LOWER SUMP 8 HOLE FIXING
14	905237	HOUSING SUMP PUMP & WASTE OUTLET 8 HOLE FIXING
15	903672	HOSE SUMP TO DRAIN PUMP ELBOW
16	903714	HOSE SUMP TO DRAIN PUMP STRAIGHT



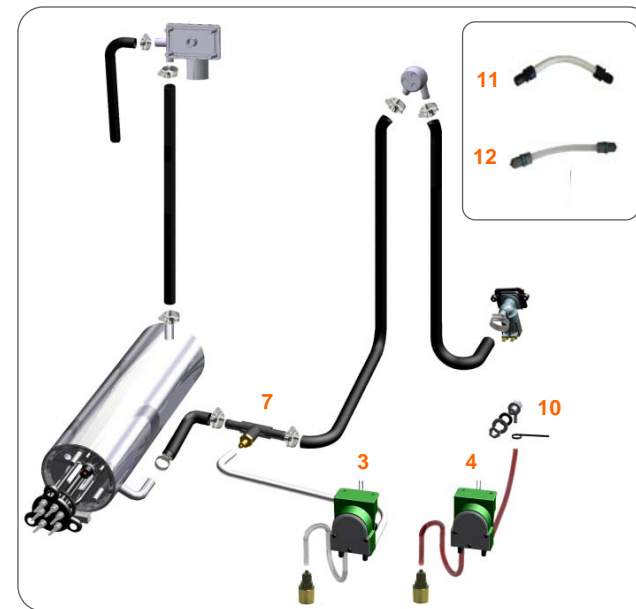
Pos	Code	Description
1	905748	ELEMENT WASH TANK 3.000 kw + O RINGS + NUTS
2	905571	ELEMENT BOILER 6.000 kw + O RING
3	907132	THERMOSTAT WASH SURFACE 60c (NC)
4	907126	THERMOSTAT MACHINE READY-SURFACE 42c (NO)
5	907100	THERMOSTAT BOILER PROBE 0-90c
6	907243	THERMOSTAT SAFETY SURFACE 95c (NC)
7	907981	O RING BOILER ELEMENT
8	904391	O RING WASH TANK ELEMENT
9	923393	NUT ELEMENT FIXING
10	903982	DIAL CONTROL THERMOSTAT
11	903686	LAMP AMBER MICRO 6mm PUSH CLIP
12	902430	CABLE TIE SMALL 100x2.5
13	902440	CLIP 13-20 SIZE 20
14	907360	HOSE RINSE 10x17 (PER MTR)
15	907278	TUBE DETERGENT-RED (PER MTR)
16	907279	TUBE CLEAR SILICON (PER MTR)
17	902063	PUMP PERISTALTIC DETERGENT SEKO
18	902062	PUMP PERISTALTIC RINSE AID SEKO
19	906708	ELBOW WASH TANK DETERGENT MICRO (NUT+GASKET)
20	902366	ELBOW WASH TANK DETERGENT LARGE S/STEEL (NUT+GASKET)
21	905434	TEE HOSE BLUE RINSE AID OPEN CONECTION 3 mm
22	906621	WEIGHT & FILTER UNIT NRV COMBINED
23	902390	SOLENOID VALVE 1 WAY
24	907344	HOSE MAINS WATER INLET L=1500
25	900353	BOILER 400 x 150mm
26	907276	PERISTALTIC TUBE DETERGENT SEKO
27	907277	PERISTALTIC TUBE RINSE AID SEKO
28	927990	BRACKET THERMOSTATS SURFACE x 3 S/STEEL
29	907820	DRAIN BOLT BOILER 13mm
30	904430	O RING DRAIN BOLT
31	TR2433	ANTI SYPON VALVE COMPLETE



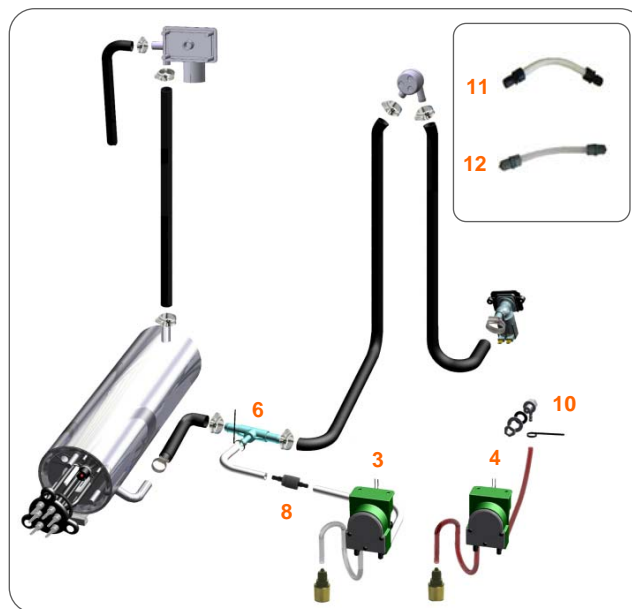
Pos	Code	Description
1	902062	PUMP PERISTALTIC RINSE AID SEKO
2	902063	PUMP PERISTALTIC DETERGENT SEKO
3	922344	PUMP PERISTALTIC RINSE AID PUMP GERMAC
4	922340	PUMP PERISTALTIC DETERGENT GERMAC
5	902013	INJECTOR RINSE AID 3 WAY SEKO LOW PRESSURE
6	905434	TEE HOSE BLUE RINSE AID OPEN CONNECTION 3 mm
7	908150	TEE RINSE AID NON RETURN VALVE
8	909372	NON RETURN VALVE INLINE GERMAC MINI 3/16"X 3/16"
9	906708	ELBOW WASH TANK DETERGENT MICRO (NUT+GASKET)
10	902366	ELBOW WASH TANK DETERGENT LARGE S/STEEL (NUT+GASKET)
11	907287	PERISTALTIC TUBE DETERGENT GERMAC
12	908323	PERISTALTIC TUBE RINSE AID GERMAC
13	907276	PERISTALTIC TUBE DETERGENT SEKO
14	907277	PERISTALTIC TUBE RINSE AID SEKO



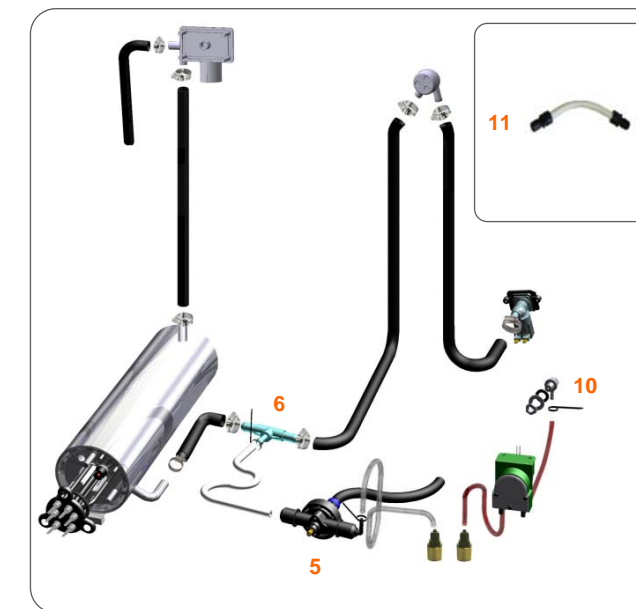
Version 1



Version 2

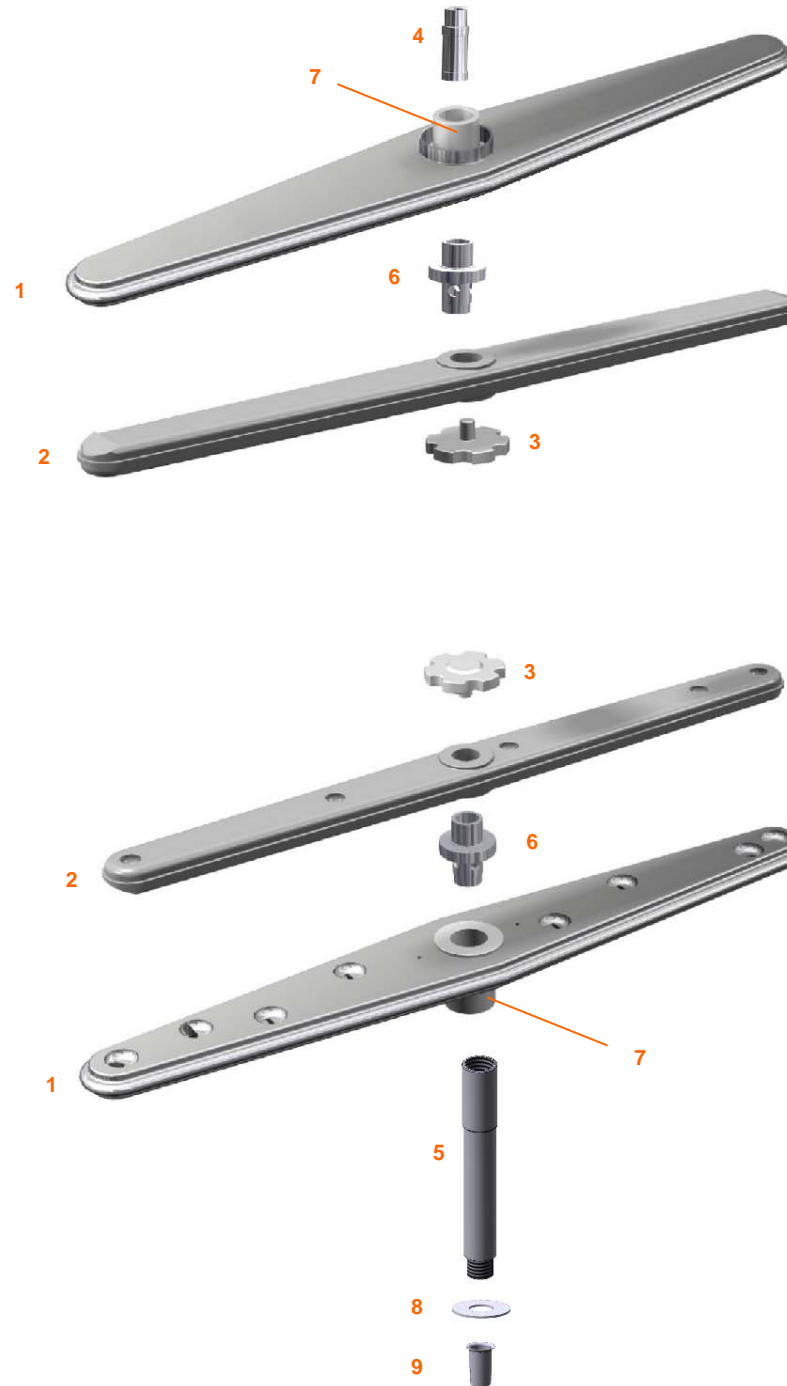


Version 3

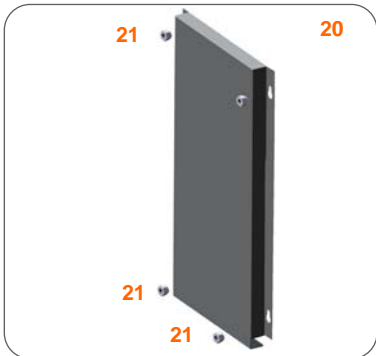
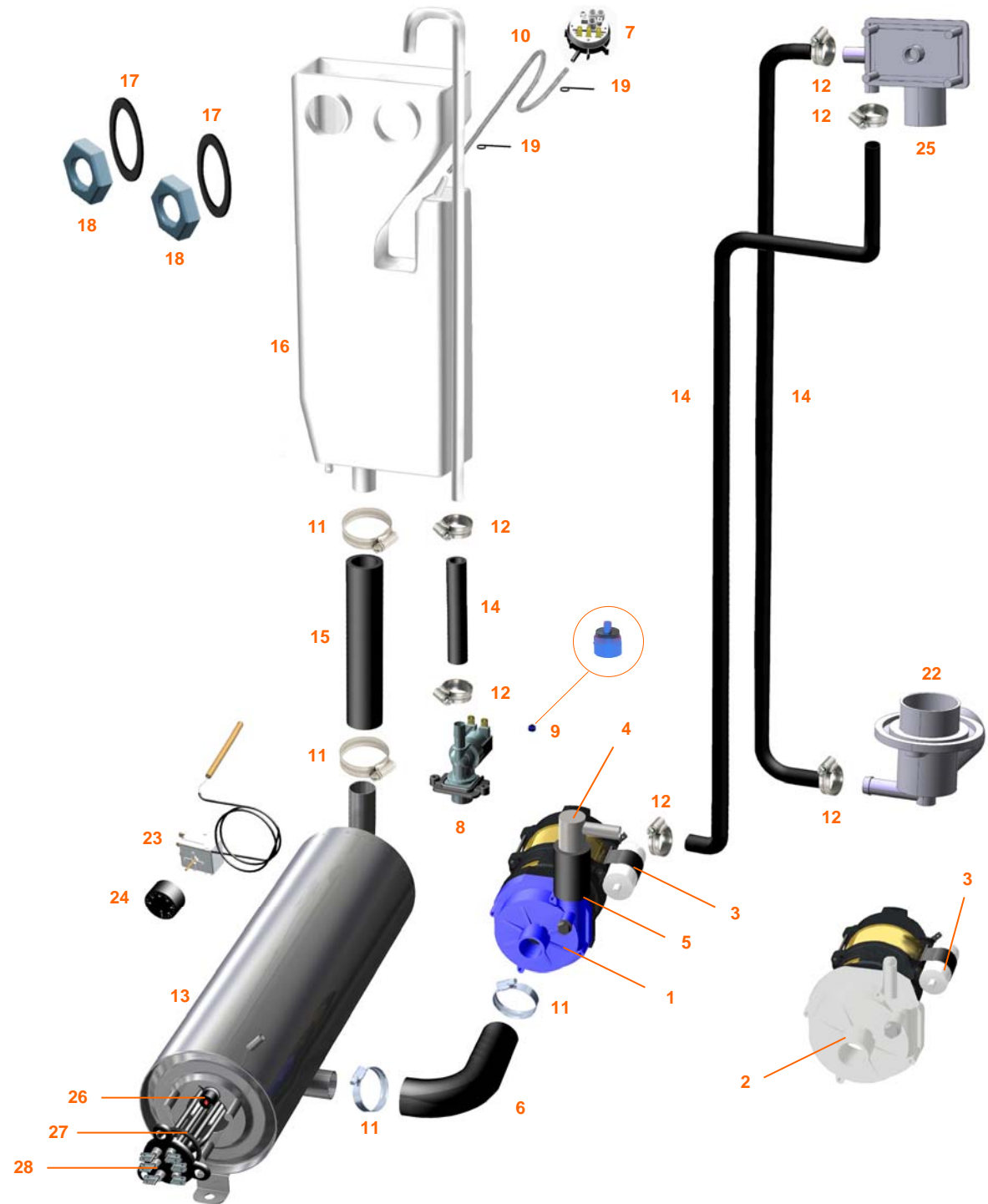


Version 4

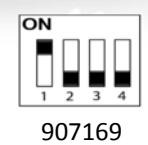
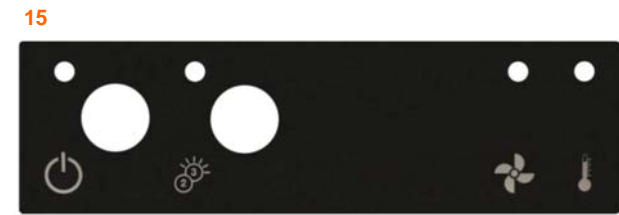
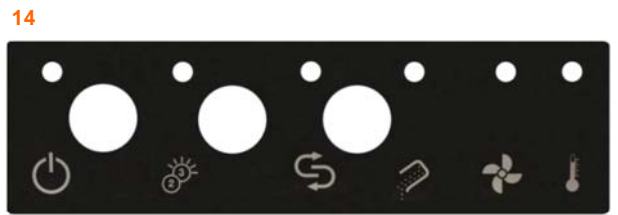
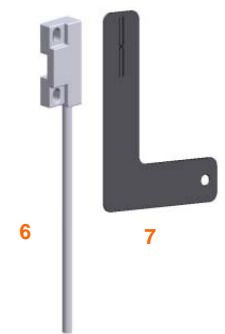
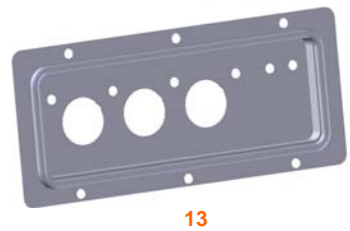
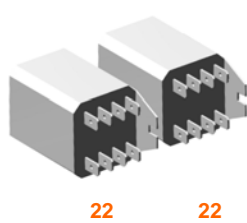
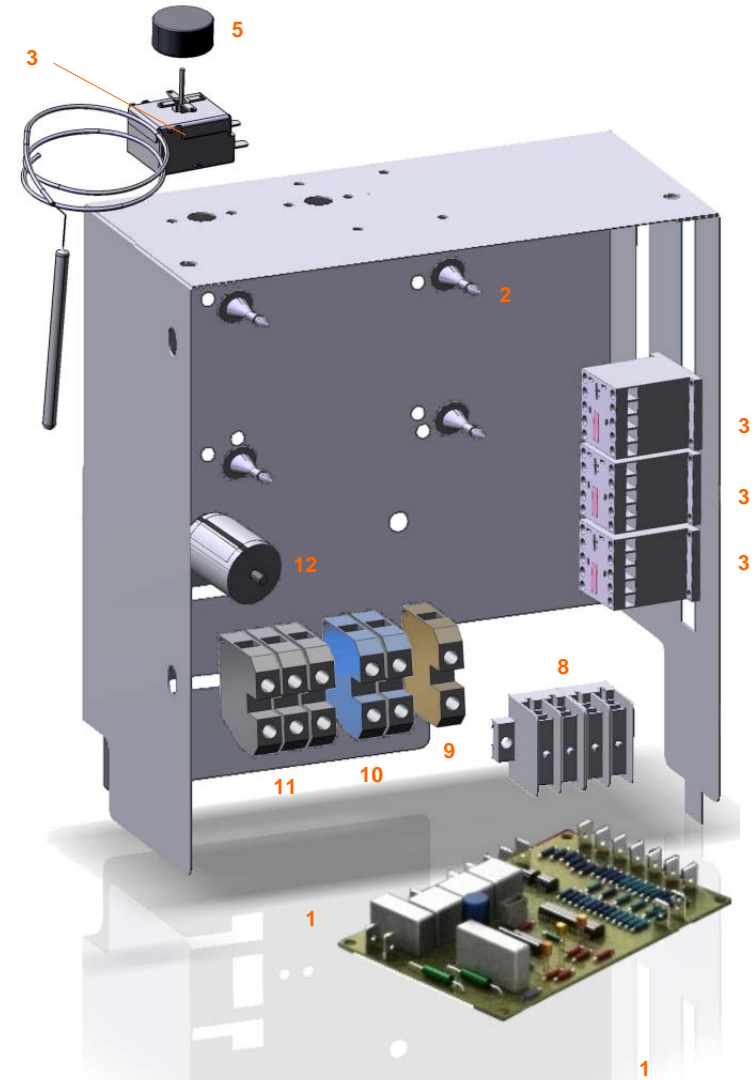
Pos	Code	Description
1	903107	WASH ARM COMPLETE 50 BLADE SIZE S/STEEL
2	903028	RINSE ARM S/STEEL 50 BLADE SIZE
3	902880	NUT RINSE ARM PLASTIC
4	904765	WASH PIN UPPER / LOWER 32mm
5	908734	WASH PIN
6	908771	RINSE PIN PPL S/STEEL
7	904277	BOSS WASH ARM CENTRE + NUT
8	906002	WASHER HUB LOWER
9	908456	SLEVE REDUCING S/STEEL
10	902287A	IMPELLOR HOUSING
11	902287B	SEAL FOR HOUSING
12	902287C	IMPELLOR
13	902287D	SEALS INNER MECHANICAL SHAFT



Pos	Code	Description
1	902235	PUMP RINSE BOOSTER PUMP 0.20 kw "A" RANGE BLUE HOUSING
2	902241	PUMP RINSE BOOSTER WHITE HOUSING
3	901744	CAPACITOR 6 uf
4	901651	ELBOW REDUCING R.B.P S/STEEL "A" RANGE
5	903714	HOSE RBP OUTLET
6	903713	HOSE INLET RINSE BOOSTER PUMP "A" RANGE
7	905275	PRESSURE SWITCH 90/35
8	902390	SOLENOID VALVE 1 WAY
9	922391	RESTRICTOR VALVE 8ltr / MIN BLUE
10	907279	TUBE SILICONE CLEAR (PER MTR)
11	902460	CLIP 26-38 SIZE 38
12	902440	CLIP 13-20 SIZE 20
13	900373	BOILER "A" TYPE 400X150mm + SAFTY STAT
14	907360	HOSE RINSE 10x17 (PER MTR)
15	907378	HOSE BREAK TANK TO BOILER L=600mm OD=32mm 2018
16	908794	BREAK TANK "A" PPL PLASTIC COMPLETE
17	903325	GASKET HOUSING OVERFLOW BREAKTANK
18	902080	NUT HOUSING BREAK TANK
19	902430	CABLE TIE SMALL 100x2.5
20	920055	BREAK TANK INTERNAL COVER LARGE 194mm x 400mm
21	902132	NUT COUNTER REBATE PLASTIC HEX KEY
22	905449	HUB INLET HOUSING UPPER/LOWER
23	907110	THERMOSTAT BOILER PROBE 0-90c
24	903982	DIAL CONTROL THERMOSTAT
25	908745	PORT WASH RINSE STRUCTURE EXTERIOR
26	907245	THERMOSTAT SAFTY SURFACE = 100c (NC)
27	907981	O RING BOILER ELEMENT
28	905571	ELEMENT BOILER 6.000 kw + O RING
29	902235A	IMPELLOR HOUSING
30	902235B	SEAL IMPELLOR HOUSING
31	902235C	IMPELLOR
32	902235D	SEALS INNER MECHANICAL SHAFT

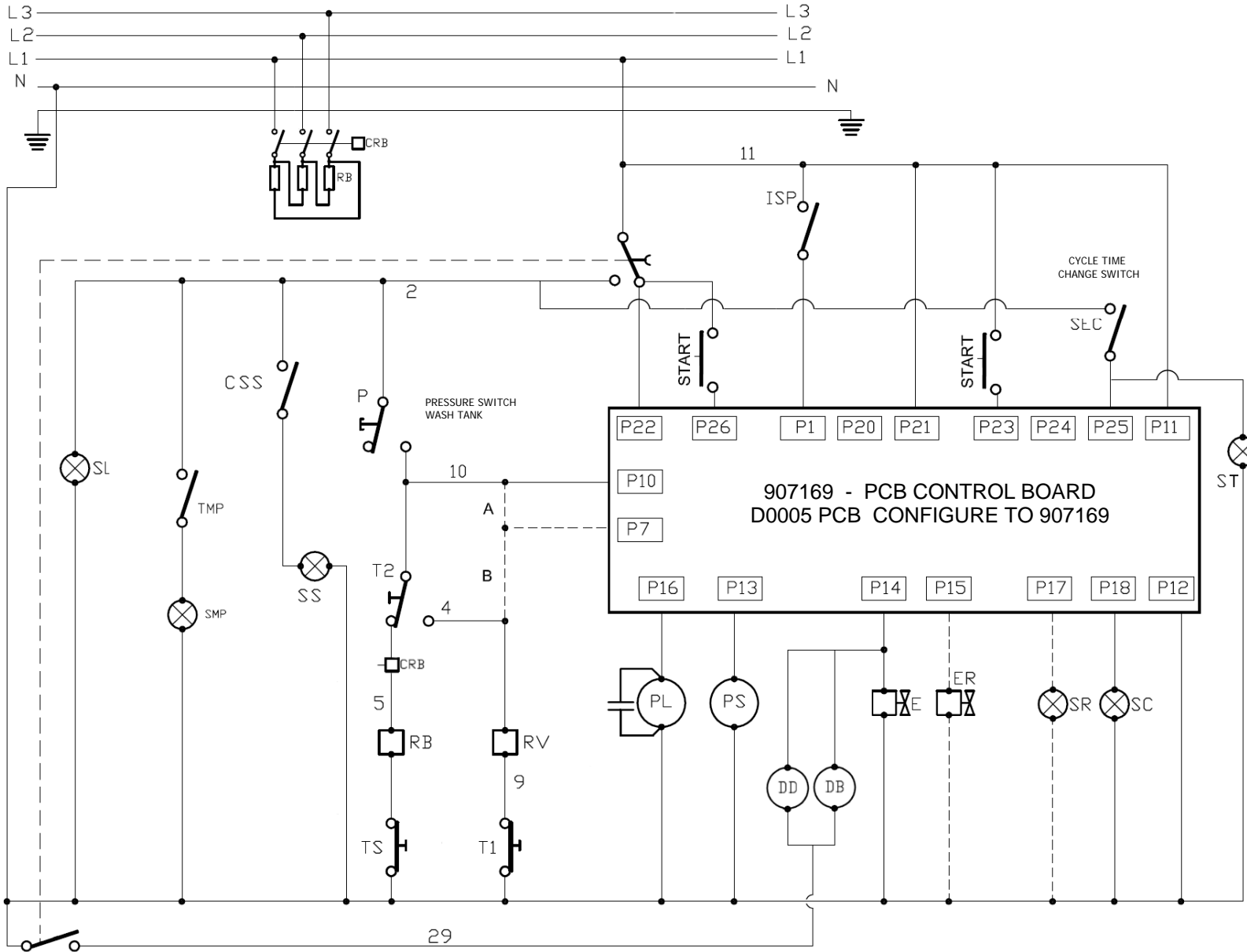


Pos	Code	Description
1	907169	TIMER ELECTRONIC & RELAY BOARD
1	D0005	TIMER ELECTRONIC & RELAY BOARD DC BD.01 2017
2	902193	SUPPORT FOR TIMER (PACK OF 4)
3	907095	CONTACTOR 9a
4	907110	THERMOSTAT BOILER COPPER PROBE 0-90c
5	903982	DIAL CONTROL THERMOSTAT
6	TR0666	SWITCH REED PLASTIC CASE-SENSOR
7	908504	BRACKET REED SWITCH SUPPORT
8	904167	TERMINAL REDIRECT INTERNAL 4 WAY INTERCONNECT
9	904163	TERMINAL BLOCK EARTH CLIP ON 1 PIN
10	904166	TERMINAL BLOCK NEUTRAL CLIP ON 1 PIN
11	TR3178	TERMINAL BLOCK MAINS CLIP ON 3 PIN
12	902107	NOISE FILTER SUPPRESSOR LINE 3
13	904740	PANEL S/STEEL
14	929962	TARGA OVERLAY + SOFTENER SD900 3 SWITCH HOLE
15	909962	TARGA OVERLAY SD900 2 SWITCH HOLE
16	903711	LAMP GREEN MICRO 6mm PUSH CLIP
17	903686	LAMP AMBER MICRO 6mm PUSH CLIP
18	928900	SWITCH ON/OFF 6 PIN ROUND KEYED GREY
19	928905	SWITCH TIME SELECT 6 PIN ROUND KEYED GREY
20	928991	SWITCH CYCLE-REGEN START 2 PIN MOMENTARY ROUND KEYED GREY
21	908262	CABINET S/STEEL ELECTRICS
22	905479	RELAY 11 PIN 250v 16A



907169

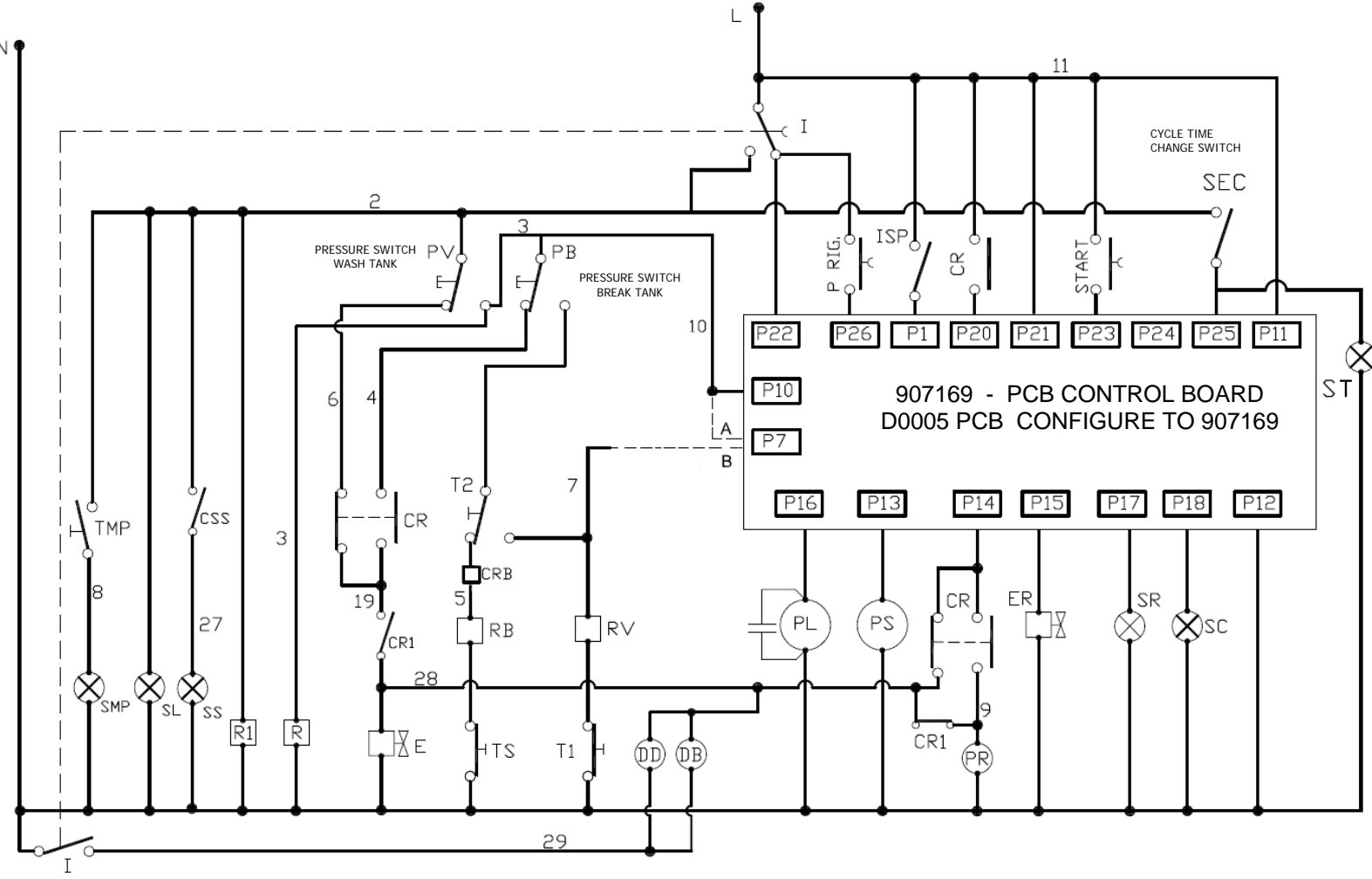
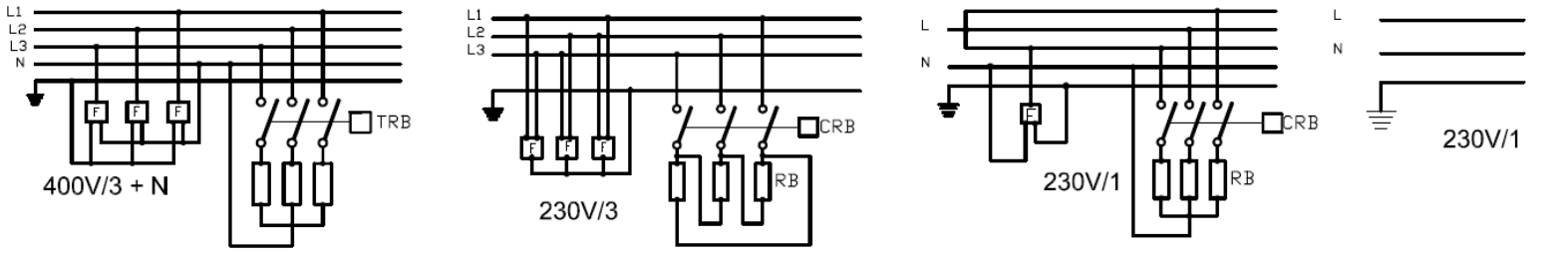




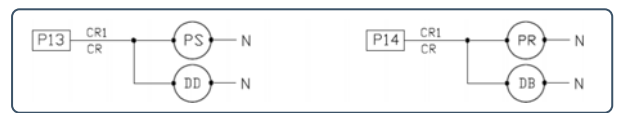
MAIN SWITCH ON/OFF 6 POLE -(RIGHT SIDE x 3 NEUTRAL) (LEFT SIDE x 3 LIVE)

P7 THERMOSTOP FOR BOILER		CYCLE TIMES	CONNECTIONS P24 & 25
A	DISABLE	2 MINS	NOT CONNECTED
B	ENABLED	3 MINS	P25
UPGRADED CONTROL PCB		1 MIN	P24
D0005		1 MIN 30 SEC	P24 & P25

CR	11 PIN RELAY
CR1	11 PIN RELAY
CSS	REED SWITCH SALT POT
DB	RINSE AID PUMP
DD	DETERGENT PUMP
E	SOLENOID VALVE
ER	SALT SOFTENER SOLENOID VALVE
F	NOISE FILTER
I	ON/OFF MAINS SWITCH
ISP	REED SWITCH - DOOR
PB	PRESSURE SWITCH BREAK TANK
PV	PRESSURE SWITCH WASH TANK
PL	WASH PUMP
PR	RINSE BOOSTER PUMP
RB	ELEMENT RINSE BOILER
RV	ELEMENT WASH TANK
SS	LAMP SALT LOW
PS	DRAIN PUMP
P RIG	SWITCH REGENERATION SOFTENER
SR	LAMP REGENERATION CYCLE
SC	LAMP WASH CYCLE
SEC	CYCLE TIME CHANGE SWITCH
SMP	MACHINE READY LAMP
R	
R1	
START	CYCLE START SWITCH
T1	THERMOSTAT WASH TANK
T2	THERMOSTAT RINSE BOILER
TMP	THERMOSTAT MACHINE READY LAMP
TS	THERMOSTAT SAFETY RINSE BOILER
SL	LAMP MAINS ON
CRB	CONTACTOR BOILER
TRB	CONTACTOR 9A
TRB BIS	CONTACTOR 9A
TRV	CONTACTOR 9A
L	MAINS LIVE 230v
N	MAINS NEUTRAL 230v
B	
SB	
ST	CYCLE TIME LAMP



MAIN SWITCH ON/OFF 6 POLE -(RIGHT SIDE x 3 NEUTRAL) (LEFT SIDE x 3 LIVE)



VERSION 2 CHEMICAL DOSING PUMP CONECTIONS

P7 THERMOSTOP FOR BOILER		CYCLE TIMES	CONNECTIONS P24 & 25
A	DISABLE	2 MINS	NOT CONNECTED
B	ENABLED	3 MINS	P25
UPGRADED CONTROL PCB		1 MIN	P24
D0005		1 MIN 30 SEC	P24 & P25

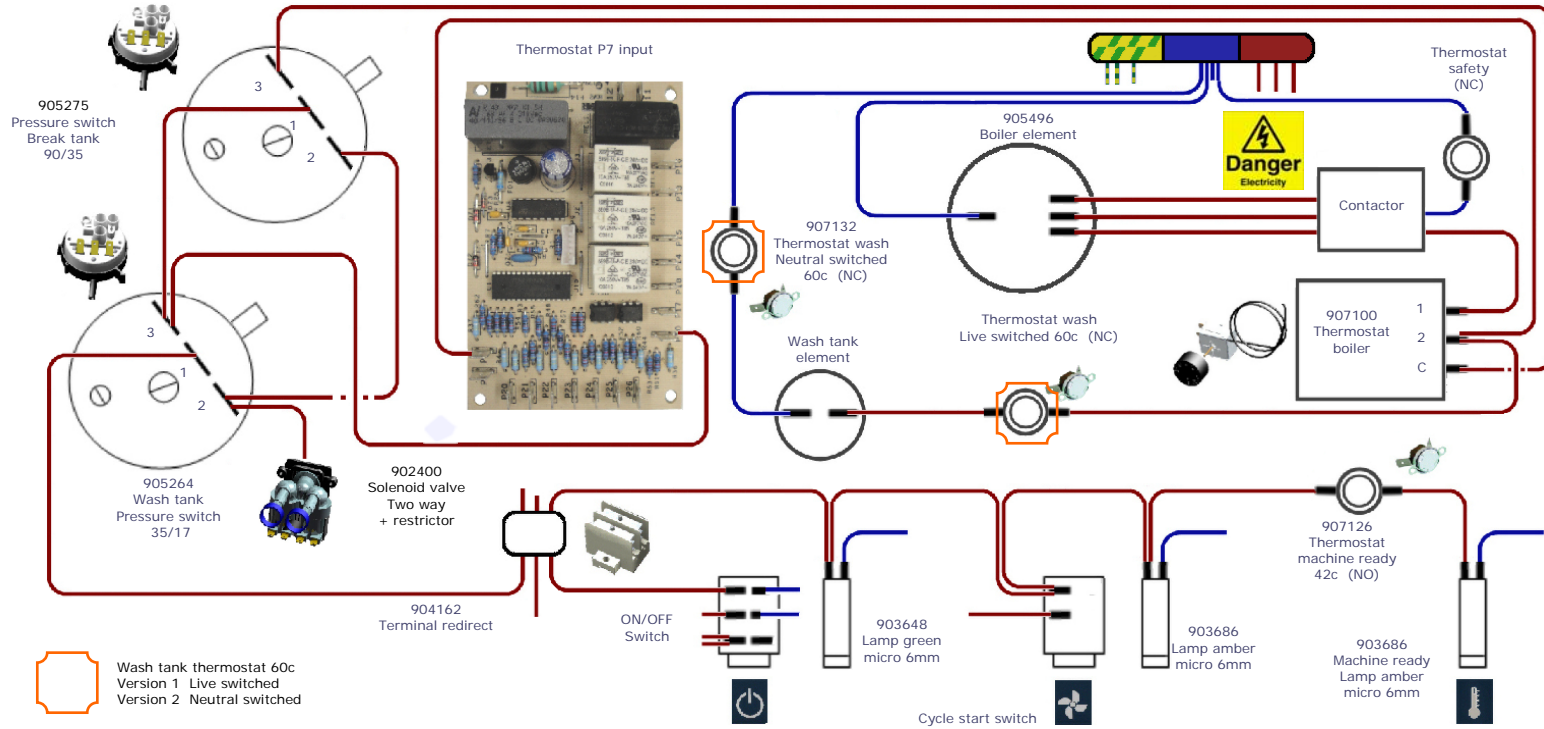
CR	11 PIN RELAY
CR1	11 PIN RELAY
CSS	REED SWITCH SALT POT
DB	RINSE AID PUMP
DD	DETERGENT PUMP
E	SOLENOID VALVE
ER	SALT SOFTENER SOLENOID VALVE
CRA	COLD RINSE SOLENOID VALVE
F	NOISE FILTER
I	ON/OFF MAINS SWITCH
ISP	REED SWITCH - DOOR
PB	PRESSURE SWITCH BREAK TANK
PV	PRESSURE SWITCH WASH TANK
PL	WASH PUMP
PR	RINSE BOOSTER PUMP
RB	ELEMENT RINSE BOILER
RV	ELEMENT WASH TANK
SS	LAMP SALT LOW
PS	DRAIN PUMP
P RIG	SWITCH REGENERATION SOFTENER
SR	LAMP REGENERATION CYCLE
SC	LAMP WASH CYCLE
SEC	CYCLE TIME CHANGE SWITCH
SMP	MACHINE READY LAMP
R	N/A
R1	LAMP MAINS ON
START	CYCLE START SWITCH
T1	THERMOSTAT WASH TANK
T2	THERMOSTAT RINSE BOILER
TMP	THERMOSTAT MACHINE READY LAMP
TS	THERMOSTAT SAFETY RINSE BOILER
SL	LAMP MAINS ON
CRB	CONTACTOR BOILER
TRB	CONTACTOR BOILER
TRV	CONTACTOR 9A
L	MAINS LIVE 230v
N	MAINS NEUTRAL 230v
B	
SB	
ST	CYCLE TIME LAMP = 3 MINUTES

DIFFERENTIAL TIME
To increase time differential screw in clockwise
To reduce time differential screw out anticlockwise



WATER LEVEL
To increase water level screw in clockwise
To reduce water level screw out anticlockwise

- 1 – Common supply 230v input
- 2 – N/C normally closed
- 3 – N/O normally open



 Wash tank thermostat 60c
Version 1 Live switched
Version 2 Neutral switched

PIN No	PIN TYPE	FUNCTION TYPE
P 1	INPUT	DOOR REED SWITCH
P 7	INPUT	THERMOSTOP / BOILER
P 10	INPUT	PRESSURE SWITCH
P 11	POWER(L)	PCB MAINS POWER
P 12	POWER(N)	PCB MAINS POWER
P 13	OUTPUT	DRAIN PUMP
P 14	OUTPUT	SOLENOID FILL / RINSE
P 15	OUTPUT	SOLENOID REGENERATION
P 16	OUTPUT	WASH PUMP
P 17	OUTPUT	LAMP WASH CYCLE
P 18	OUTPUT	LAMP REGENERATION
P 20	INPUT	DEACTIVATE P14 (RBP)
P 21	INPUT	DOOR AUTOMATIC START
P 22	INPUT	DRAIN PUMP START
P 23	INPUT	WASH CYCLE START
P 24	INPUT	CYCLE TIME COMBINATION
P 25	INPUT	CYCLE TIME COMBINATION
P 26	INPUT	REGENERATION START

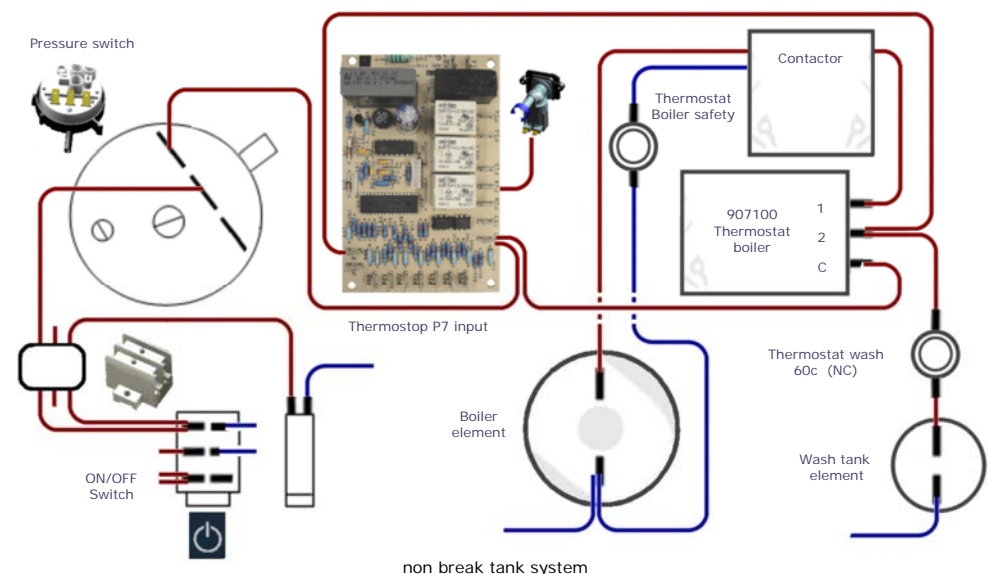


907169
PCB Control

NEW VERSION



D0005
PCB Control new version



non break tank system