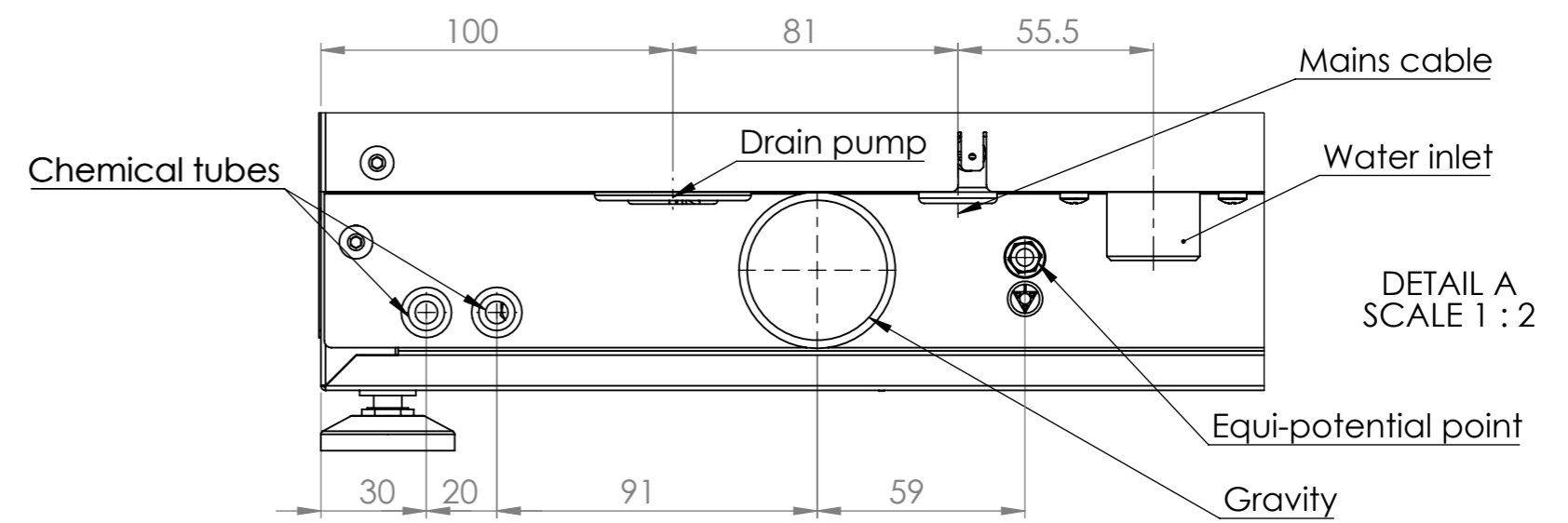
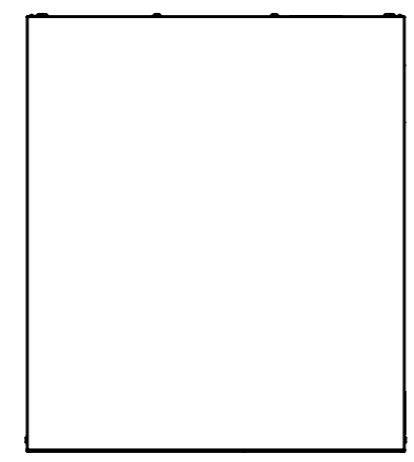
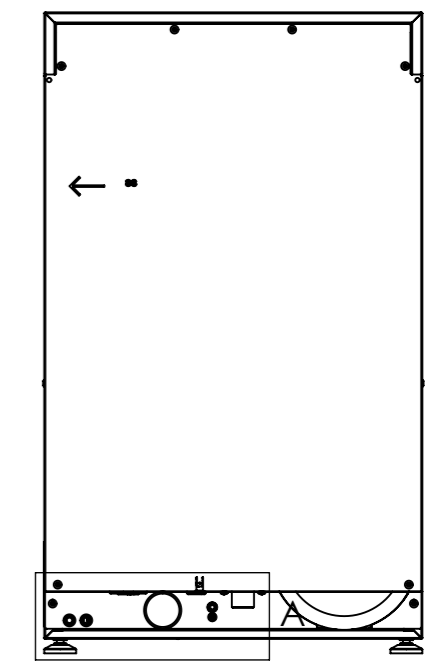
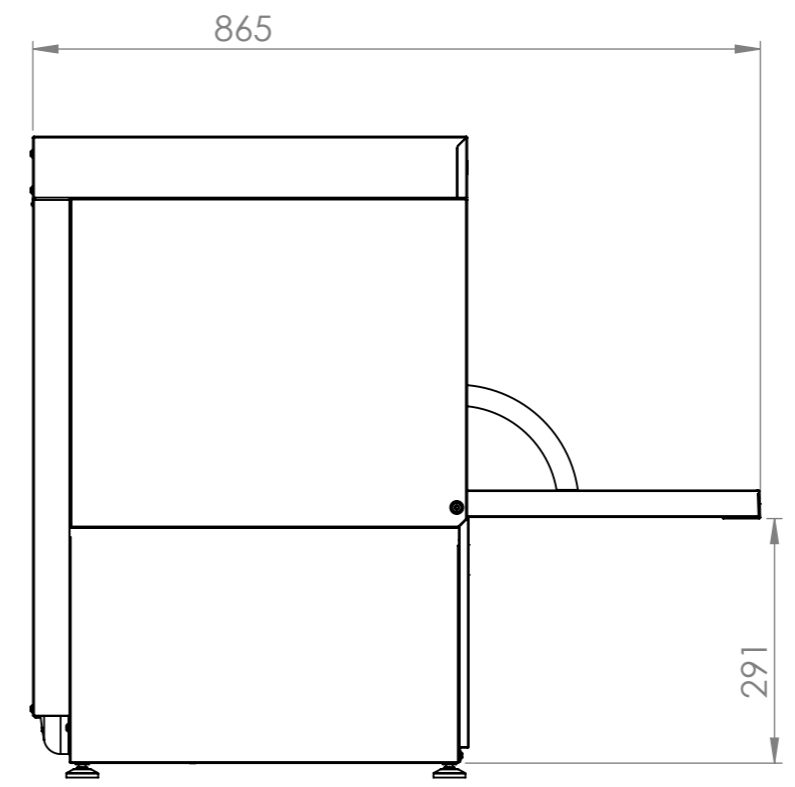
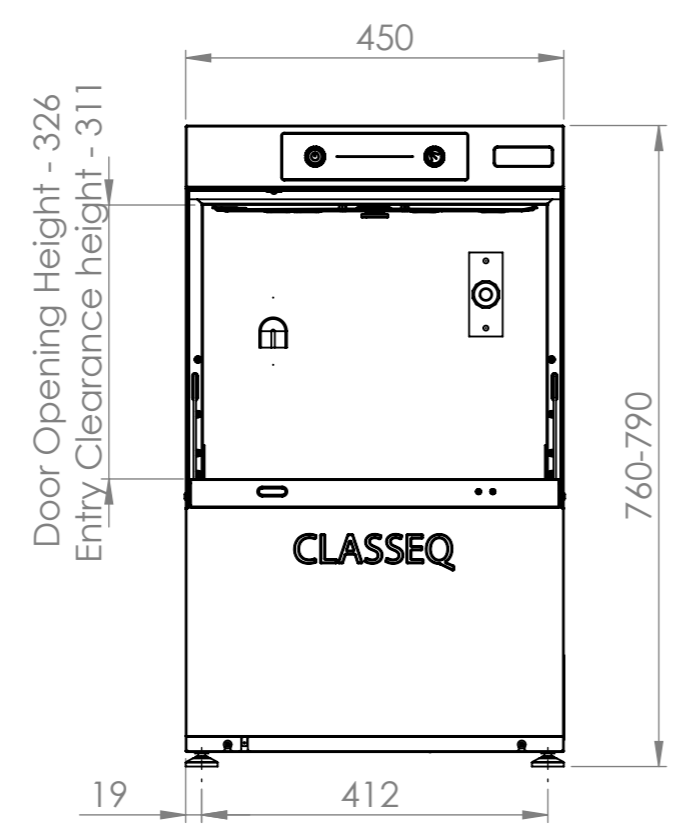
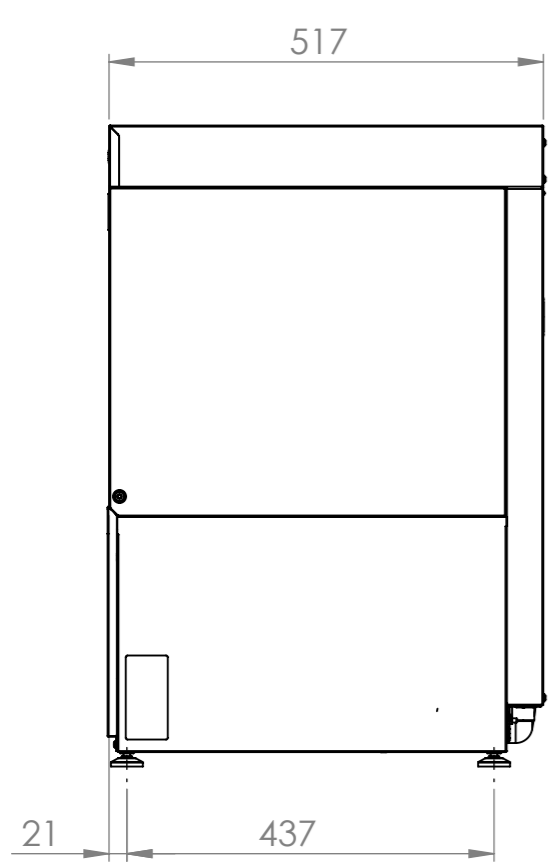


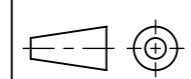
REVISIONS				
ECI	REV.	COMMENT	DATE	BY



General Notes:

CLASSEQ
 Classeq Ltd.
 Classeq House
 Airfield industrial Estate
 Hixon
 Staffordshire
 ST18 0PF
 United Kingdom

IF IN DOUBT ASK



NAME	DATE	STATUS:	
A.Patil	22/07/2017	Production	
DRAWN		DESCRIPTION:	
See Table		400mm SS Machine Layout	
FINISH:		SIZE	DRAWING NO.:
		A3	90000460
		REV.:	DEV-01
DO NOT SCALE 3D DATA IS MASTER DIMENSIONING WITH REFERENCE TO BS8888		WEIGHT:	SCALE:1:9
		32 Kg	Sheet 1 of 1
		OUTSIDE DIMS.: H: W: D:	