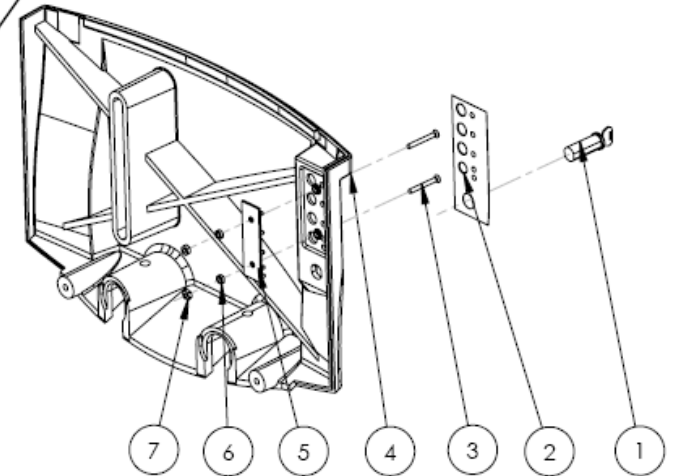


ITEM NO.	PART NUMBER	DESCRIPTION	Just 3 brew components/QT Y.
1	1501727	Switch keylock 3 position	1
2	1900711	Label QB2 3Brew w/ keyswitch	1
3	1401811	M4 x30mm C3K	2
4	2200466	Panel Service Qwikbrew 2	1
5	1600356	P.C.B. 3 Brew Display Surface Mount	2
6	1401876	Spacer Nylon 4.3x7x2.3mm	2
7	1401140	Nut M4 Brass	2
8	QB2S-070F	PCB BRACKET 345	1
9	1801531	Panel Top Qwikbrew 2	1
10	1401663	Rivet Nut M4 Aluminium	6
11	1502140	Transformer 24V/220V 50VA	1
12	1600371	P.C.B. EcoBoiler Control	1
13	1502000	TERMINAL 6mm	4
14	1500840	CONTACTOR B&J 240V AC	1
15	1600447	LED PCB Qwikbrew	1
16	2200211	DIN Rail 95mm	1
17	1401760	Screw M4 X 10mm Pozl Pan S/S	4
18	1801230	PILLAR SUPPORT PCB	7
19	1401762	Screw M4 X 25mm Pozl Pan S/S	4
20	1800370	GROMMET PVC 25 X 1.6 X 21mm	4



marco 
POURING PERFECTION

DESCRIPTION: Nescafe.GO Front Cover QC Drawing

DWG NO.: Service artwork

MATERIAL: ABS

MATERIAL COLOUR:

RAL 7004

FINISH:

SMOOTH

DRAWN BY

J. Jamieson

23/01/07

APPROVED BY

S. Pender

30/01/07

REVISION

a

CO:

383

Scale: 1:5

UNLESS OTHERWISE SPECIFIED, DIMENSIONS ARE IN MILLIMETERS
TOLERANCES: LINEAR: +/-0.20mm