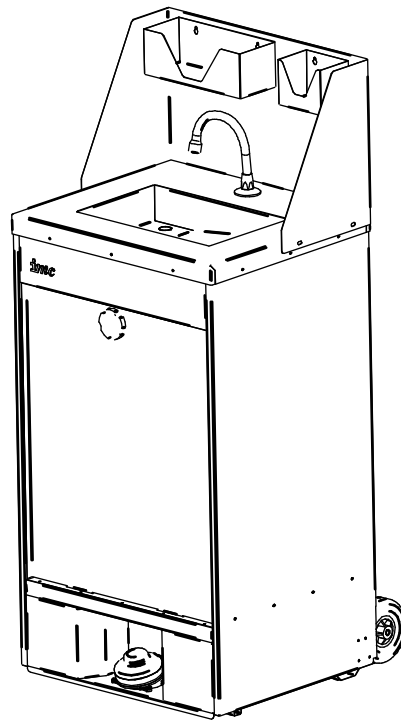




MOBILE HAND WASH UNIT – F63/503

**INSTALLATION AND USER MANUAL
PLEASE LEAVE WITH OPERATOR**



Please make a note of your product details for future use:

Date Purchased: _____

Model Number: _____

Serial Number: _____

Dealer: _____

INDEX

IMPORTANT INFORMATION	1
Guarantee	1
Delivery	1
DIMENSIONS	2
SPECIFICATION	2
PRODUCT FEATURES	3
INSTALLATION	4
Procedure	4
Location	4
Commissioning	5
Emptying / Refilling	6
Cleaning	6
SPARE PARTS	
Spare Parts List	7
Ordering Spare Parts	7
	7

IMPORTANT INFORMATION

Read these instructions carefully. This manual outlines the installation, operation procedures relevant to this unit.

**WARNING**

The unit should be used under adult supervision

Guarantee

The Mobile Hand Wash unit is guaranteed by IMC for 1 years from the date of purchase from IMC, or from one of its stockists, dealers or distributors. The guarantee is limited to the replacement of faulty parts or products and excludes any consequential loss or expense incurred by purchaser. Defects which arise from faulty installation, inadequate maintenance, incorrect use or fair wear and tear are not covered by the guarantee.

The guarantee applies in this form to installations within the United Kingdom.

Please observe these instructions carefully. Keep this manual for future reference

The manufacturer disclaims any liability for incidental, or consequential damages. Attendance is based on reasonable access to the appliance to allow the authorised technician to carry out the warranty work.

Delivery

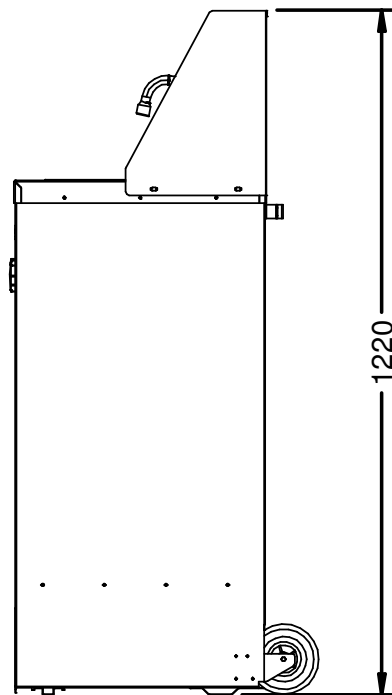
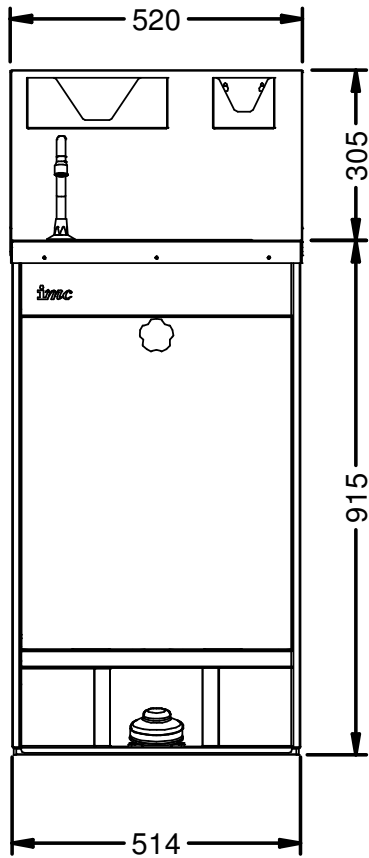
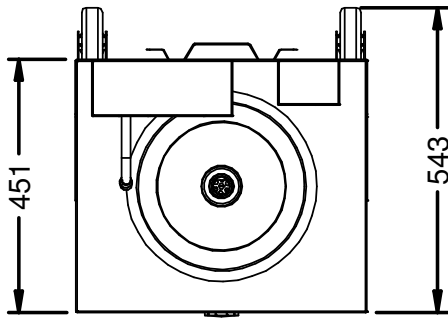
The packaged unit contains:

IMC MOBILE HAND WASH UNIT: Fully Assembled Hand Wash Unit	1
Splashback Panel	1
Paper Tower Dispenser	1
Soap Dispenser	1
Water container 20L - Natural	2
Instruction Booklet	1

Please notify **LINCAT-IMC** on the day of receipt if anything is missing or damaged.

☎ UK: 01522 875555

Check that the correct machine has been supplied. The data plate is located on the rear of the unit.

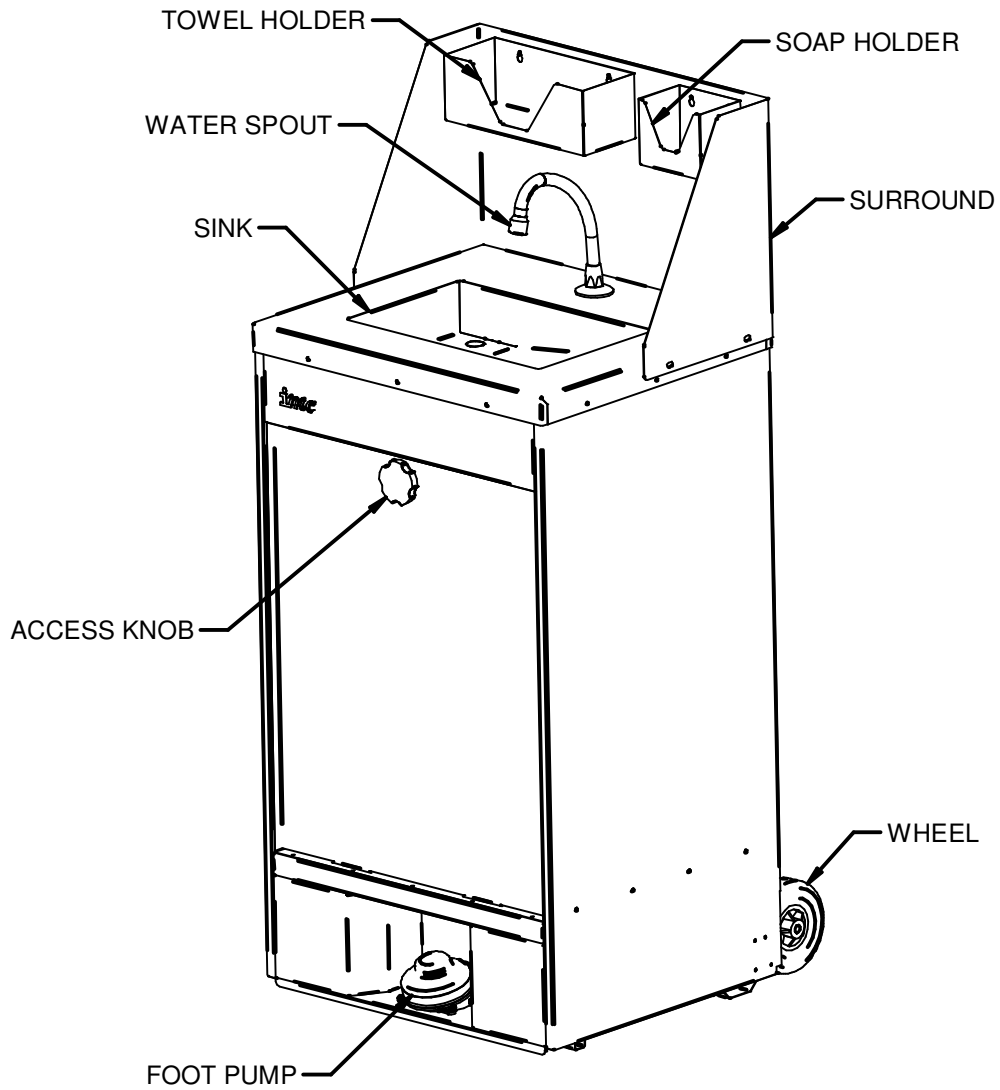


DIMENSIONS

SPECIFICATION

Tank Capacity	20 litres
Net Weight	27.4kg

PRODUCT FEATURES



INSTALLATION

These Instructions contain important information designed to help the user obtain the maximum benefit from their investment in an IMC Mobile Hand Wash Unit.

Please read them carefully before starting work and consult with your distributor/supplier in the event of any queries.

Be sure to leave this Instruction Manual with the user after installation of the machine is complete.

Procedure



WARNING

The following table shows the weight and the minimum quantity of people required to lift each unit:

	Net Weight	Quantity of People
IMC Mobile Hand Wash Unit	27.4 kg	2

Before using the hand wash; remove all packaging and ensure that the unit is checked over for damage, any damage must be reported to the carrier or distributor/supplier immediately.

Remove any protective plastic coating on the unit.

Do not be alarmed if water is present in the tanks or pipes of the unit, this is normal and only a mere consequence of the testing procedures.

Location

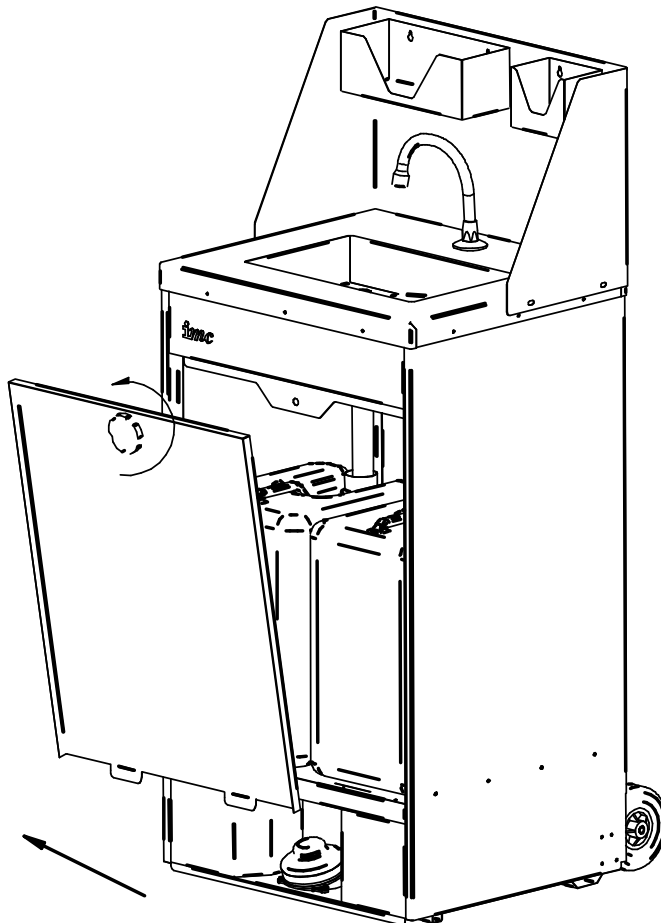
The Mobile Hand Wash Unit is only suitable for use where there is no risk for the unit to be adversely affected by its surrounding environment.

The unit must be stationed on a flat surface capable of safely supporting the units weight when fully laden with water.

The unit it is fitted with a handle on the back to assist when moving.

Commissioning

Remove the front panel by unscrewing the black knob on the front of the unit, tilt the panel backwards and pull upwards away from the unit at an upward angle.



at the bottom container.

We advise that you operate the foot pump and pass water through the unit before refitting the front panel. To prime the pump ready for operation and pass water through the unit; place your foot inside the housing above the pump. Depress the foot pump several times until water is seen coming out of the spout located above the sink on the unit.

Once all of the above steps have completed and the front panel has been refitted, your Mobile Hand Wash Unit should now be ready for operation.

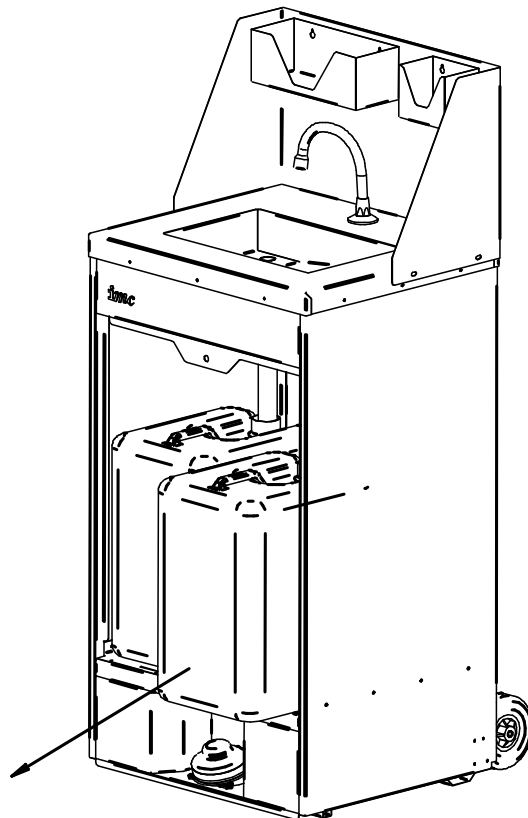
Emptying / Refilling

Once the unit has completed its total number of operations, the waste water container will need emptying and the clean water tank refilled.

To empty the waste water container; remove the front panel. The waste-water pipe can now be removed and the container can be slid out of the unit and emptied appropriately.

To re-install the waste water container, follow the above steps in reverse.

To refill the clean water container, follow the steps outlined in the commissioning



(
Clean the externals of the unit as required; using a damp cloth and an appropriate cleaning product.

DO NOT USE CLEANING MATERIALS CONTAINING ABRASIVES OR BLEACHES.

SPARE PARTS

Spare Parts List

PART NUMBER	QTY	DESCRIPTION
WC01	1	20 LTR WATER CONTAINER
WP02	1	FOOT PUMP
A19/042	2	MOBILE HANDWASH WHEEL
A21/044	1	KNOB 2160_M M8 x 14 BLACK

Ordering Spare Parts

In the event that spare parts or accessories need to be ordered, please always quote the **SERIES AND SERIAL NUMBER** of the machine. This is to be found on the rating plate located near the supply cable if applicable or at the rear of the appliance.

For help with the installation, maintenance and use of your **Lincat - IMC** equipment, please contact our service department:

☎ UK: 01522 875520

For non-UK customers, please contact your local Lincat dealer

All service work, other than routine cleaning should be carried out by one of our authorised service agents. We cannot accept responsibility for work carried out by other persons.

To ensure your service enquiry is handled as efficiently as possible, please tell us:

- Brief details of the problem
 - Product code
 - Type number
 - Serial number
- } All available on serial plate

Lincat reserve the right to carry out any work under warranty, given reasonable access to the appliance, during normal working hours, Monday to Friday, 08:30 to 17:00.