



WATER



GAS



ENVIRONMENT



PEST CONTROL

PRE-RINSE SPRAYS

AQUAJET

AJPR10-HM-BF0-S

DECK mounted AquaJet 10 Pre-Rinse Spray HANGMAN style with STANDARD Rose Head gun and No bowl filling tap

Single Pedestal, Single Water Feed, Monoblock with LEVER control

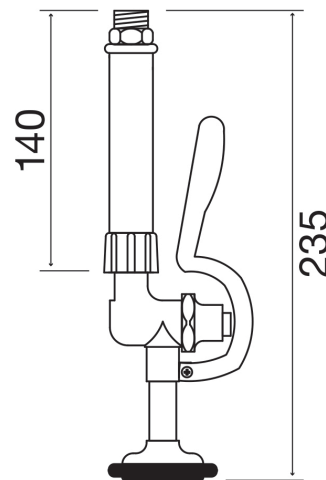
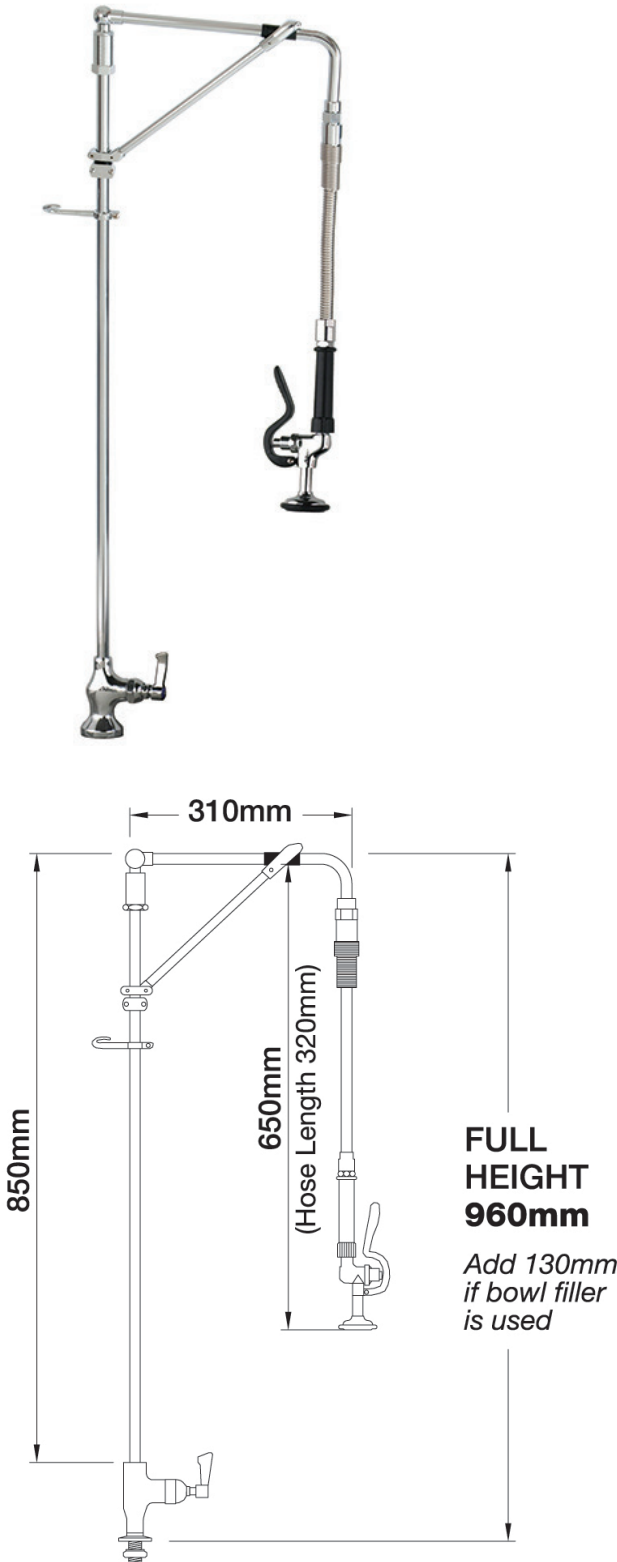
(M) 1/2" connection. Tap hole \varnothing 25mm.

- A variety of choices to suit each application.
- Pre-assembled, ready to install.
- All assembled models are factory tested up to 6 bar for quality assurance.
- Other spray gun options available.
- Bowl filler options available.
- Restraining device available to prevent the hose from overstretching into basin, which reduces abuse and helps meet Water Board regulations.
- Super strong, food-grade, high-flow water hose.
- Complete spares parts.
- Backed by Mechline's standard 1 year warranty.

MAINTENANCE & CLEANING

Cleaning chrome: Do not use abrasive, chlorine or acid-based cleaning products. Avoid contact with concentrated bleach.

Clean with soapy water using a cloth or sponge.



(M) 1/2-inch connection. Tap hole req.: 25mm dia.

Dimensions are in millimeters. Note: If a CAD file is required please contact our Technical Helpdesk.

Rev: 03/2016 (AJ0006-HM-S)