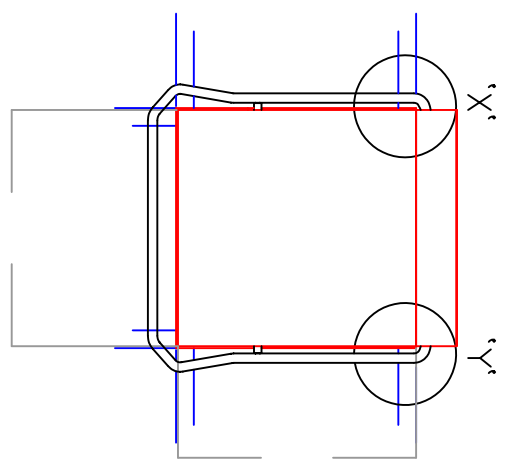
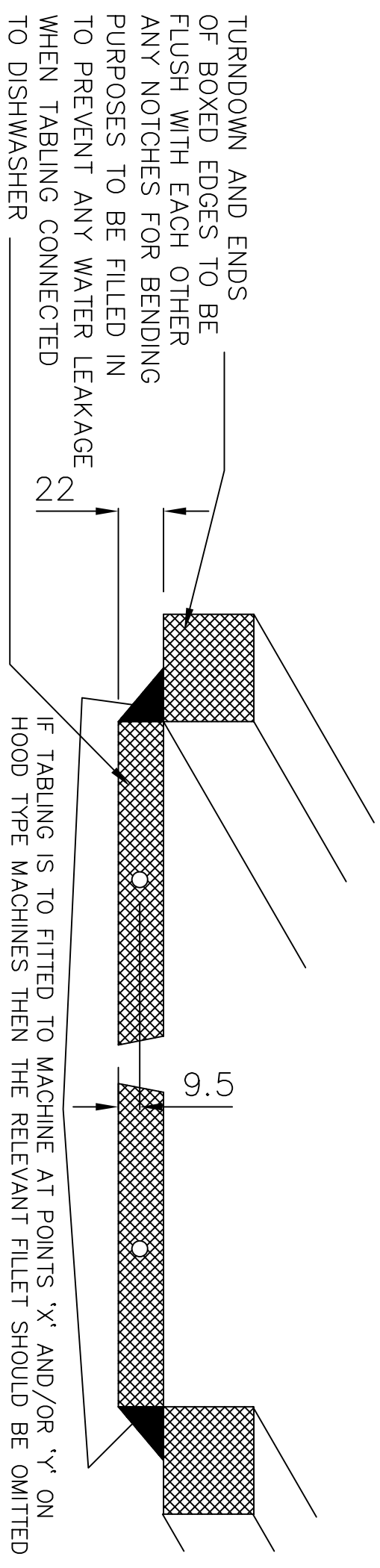


860 FLOOR TO UNDERSIDE OF TABLING



DETAILS OF TABLING REQUIREMENTS FOR HOOD TYPE DISHWASHERS



TURNDOWN AND ENDS OF BOXED EDGES TO BE FLUSH WITH EACH OTHER ANY NOTCHES FOR BENDING PURPOSES TO BE FILLED IN TO PREVENT ANY WATER LEAKAGE WHEN TABLING CONNECTED TO DISHWASHER

IF TABLING IS TO FITTED TO MACHINE AT POINTS 'X' AND/OR 'Y' ON HOOD TYPE MACHINES THEN THE RELEVANT FILLET SHOULD BE OMITTED