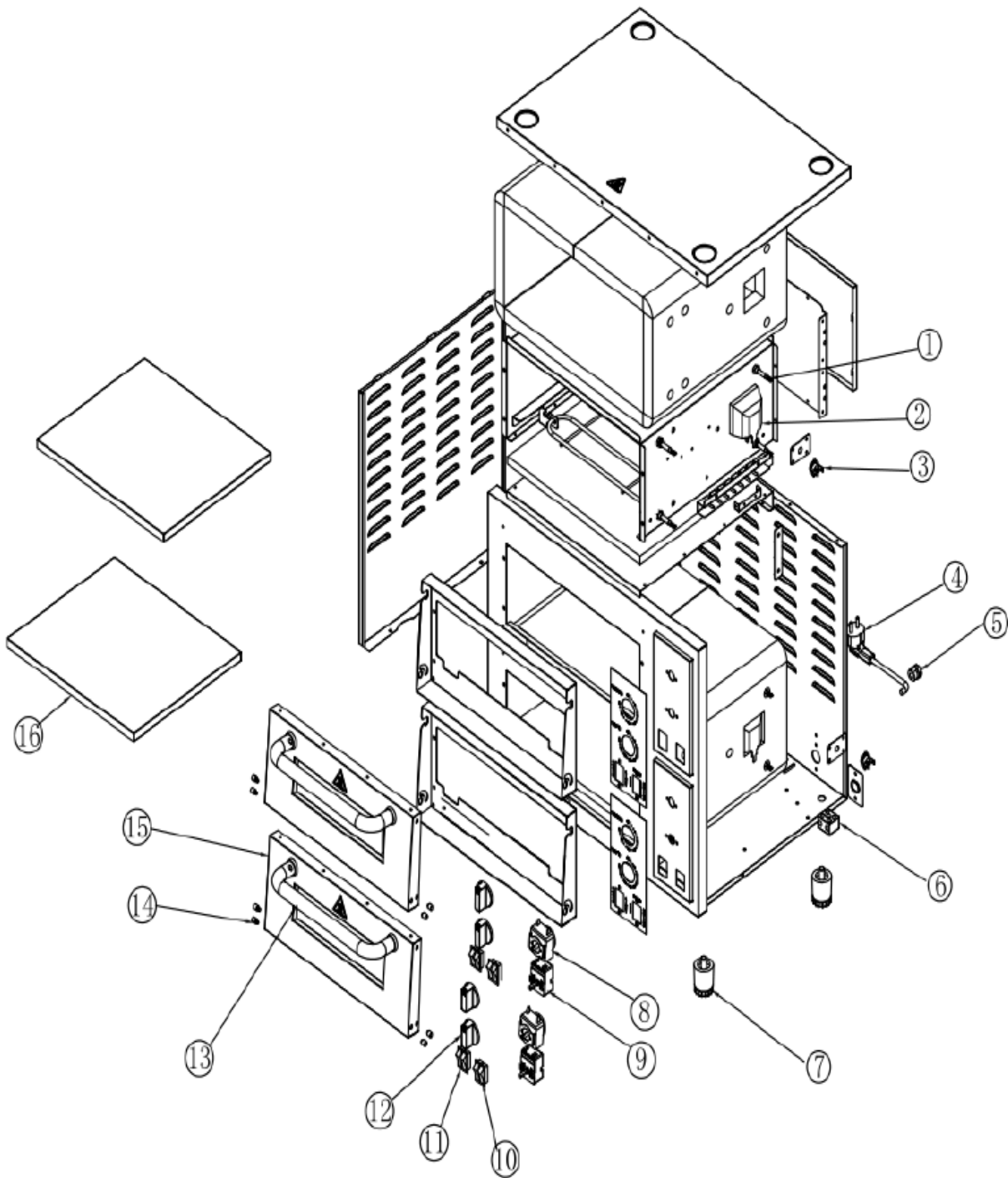


BPO1 & BPO2 Pizza Ovens

Exploded parts diagram

(Image & exploded view shown is a BPO2)







BPO1

Part Number	Number	Description	Qty
B3-ZEK2401041	1	Heating Element	2
B3-ZEK2401042	2	Internal Light	1
B3-ZEK2401043	3	High Temperature Limiter	1
***	4	Power Chord	1
***	5	Cable Clamp	1
B3-ZEK2401046	6	Terminal Block	1
B3-ZEK2401047	7	Foot	4
B3-ZEK2401048	8	Timer	1
B3-ZEK2401049	9	Thermostat	1
B3-ZEK24010410	10	Heating Element Switch	1
B3-ZEK24010411	11	Power Switch	1
B3-ZEK24010412	12	Temperature Knob	2
B3-ZEK24010413	13	Door Handle	1
B3-ZEK24010414	14	Door Screw	1
B3-ZEK24040415	15	Door Assy.	1
B3-ZEK24040416	16	Pizza Stone	1

*** Please contact Spares for assistance***

BPO2

Part Number	Number	Description	Qty
B3-ZEK2401041	1	Heating Element	4
B3-ZEK2401042	2	Internal Light	2
B3-ZEK2401043	3	High Temperature Limiter	2
***	4	Power Chord	1
***	5	Cable Clamp	1
B3-ZEK24010461	6	Terminal Block	1
B3-ZEK2401047	7	Foot	4
B3-ZEK2401048	8	Timer	2
B3-ZEK2401049	9	Thermostat	2
B3-ZEK24010410	10	Heating Element Switch	2
B3-ZEK24010411	11	Power Switch	2
B3-ZEK24010412	12	Temperature Knob	4
B3-ZEK24010413	13	Door Handle	2
B3-ZEK24010414	14	Door Screw	8
B3-ZEK24040415	15	Door Assy.	2
B3-ZEK24040416	16	Pizza Stone	2

*** Please contact Spares for assistance***