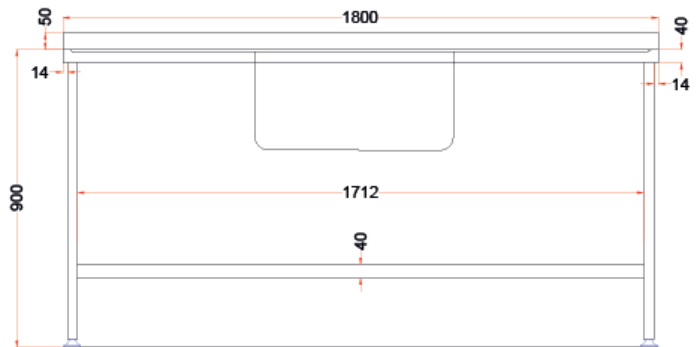
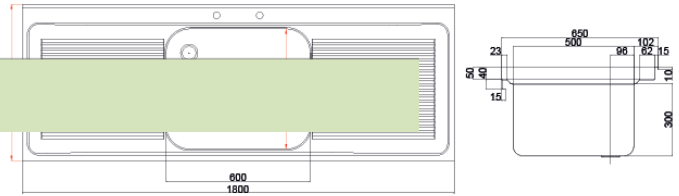




STAINLESS STEEL SINK - DR397 FULLY WELDED

Already completed

DIMENSIONS



This fully welded 1800mm wide sink from Holmes features a central bowl with drainer on either side, and a robust undershelf which provides additional storage for utensils and cleaning supplies. The sink is constructed from 304 stainless steel, which is smooth, hygienic and easy to clean whilst offering high resistance to corrosion and staining making it perfect for use in commercial kitchens. Create practical and hygienic washing areas in your kitchen with this highly durable British built sink.

TECHNICAL DATA

Unpacked height (mm)	900 + 50 upstand
Unpacked width (mm)	1800
Unpacked depth (mm)	650
Weight (kg)	22
Material top	SAE grade 304; EN 1.4301, X5CrNi18-10
Material sub-top	SAE grade 430; EN 1.4016, X6Cr17
Surface finish	Satin
Type of Mounting	Floor
Feet	Adjustable

Property of Holmes