

Drawing



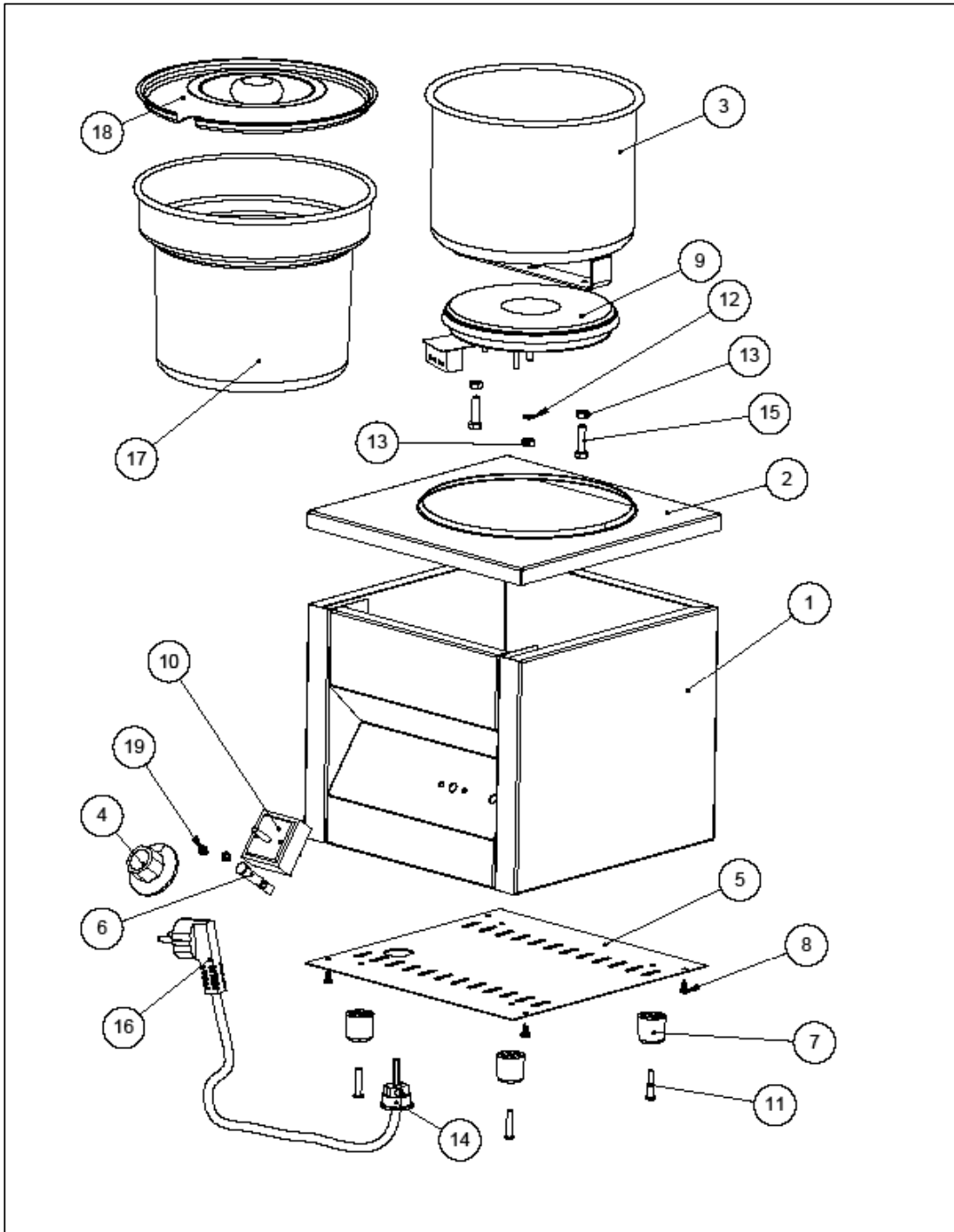
Hendi B.V.
 Steenoven 21
 3911 TX Rhenen
 The Netherlands

Batch #
 0000000


Appliance part#
 201107

Description
 Thermo system (One)

Date	22-11-2010	Revision #	Revision version
Revision	First bill of materials (BOM)		



Bill of materials (BOM)

 Hendi B.V. Steenoven 21 3911 TX Rhenen The Netherlands	Batch # 0000000	Appliance part# 201107
	Description	
	Thermo system (One)	


Date	22-11-2010	Revision #	Revision version
Revision	First bill of materials (BOM)		

Item	Description	Part#	Quantity	Remark	Picture
1	Frame	n/a	1		
2	Upper Cover	n/a	1		
3	Hotpot enameled	201411	1		
4	Knob	205235	1		
5	Bottom cover	n/a	1		
6	Lamp neon yellow	201145	1		
7	Feet	919859	4		
8	Screw	n/a	4		
9	Heating element	201114	1		
10	Energie regulator	201121	1		
11	Rivets 25x5 aluminium	n/a	4		
12	Spring washer M6	n/a	2		
13	Nut M6	n/a	3		
14	Cord inlet with retention	920107	1		
15	Bolt M6x25	n/a	2		
16	Powercord	930014	1		
17	Bain-marie pan	470909	1	Part 18 included	
18	Lid bain-marie pan	nss	1	Available as 470909	
19	Screw bolt m4x5	n/a	2		

n/a -> not available

nss -> not sold separately

Circuit diagram

 Hendi B.V. Steenoven 21 3911 TX Rhenen The Netherlands	Batch #	Appliance part#
	0000000	201107
	Description	
	Thermo system (One)	

Date	22-11-2010	Revision #	Revision version
Revision	First bill of materials (BOM)		

