



UCG135A

Features

- Produces clear, long-lasting gourmet cubes.
- Space-saving 467 mm (15½ in.) wide under-counter design.
- Produces up to 57 kg (125½ lbs.) of ice per day.
- Constructed from sturdy, corrosion-resistant stainless steel and fingerprint-proof plastic.
- Ideal for any under-counter or bar application.
- Contemporary, elegant design.
- Environmentally friendly R134A refrigerant.

Space-Saving Solutions

- Front air discharge design for compact spaces.
- Low profile top saves counter space.
- Stores up to 22 kg (48.5 lbs) of ice.
- Easy front access to ice.
- Removable Air Filter.

Options & Accessories

Ice Machine Model	Manifold		Inline
	System	Replacement	System
UCG135A	IFQ1-S	IOMQ-S	IF14C / IF18C

Ice Maker Warranty

Every UCG Ice-O-Matic ice maker is backed by a warranty that provides both parts and labor coverage.

- Three years parts and labor.

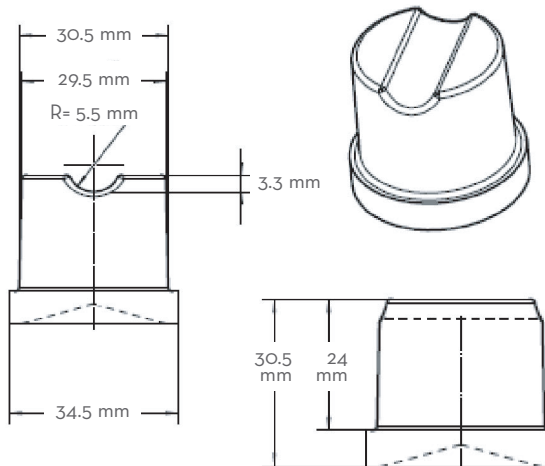
Ice Form



GOURMET ICE

GOURMET ICE DIMENSIONS

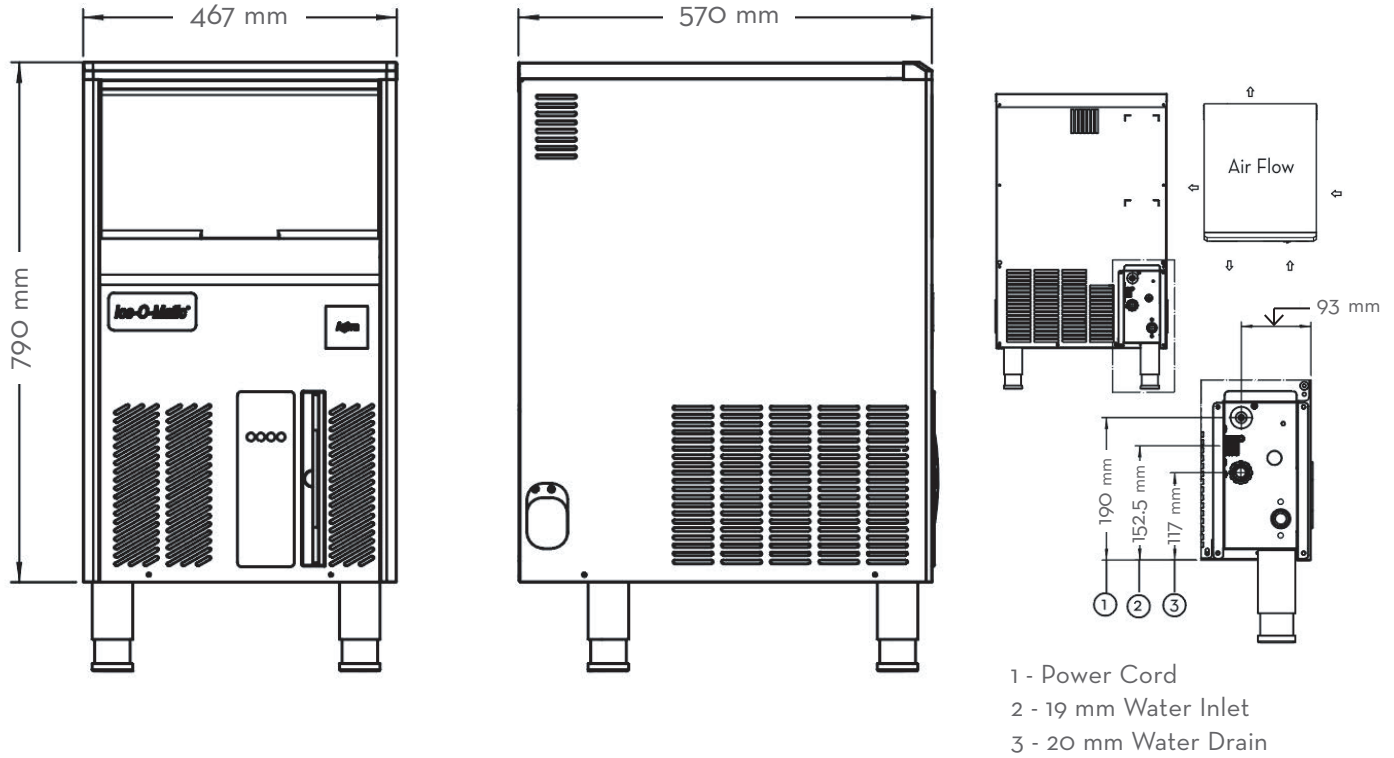
Height	30.5 mm (1.2 in.)
Diameter	34.25 mm (1.35 in.)



UCG135A GOURMET SERIES UNDERCOUNTER



UCG135A GOURMET SERIES UNDERCOUNTER



Operating Requirements

	MINIMUM	MAXIMUM
	50 Hz	
Ambient Temp. Range Air	10°C (50°F)	43°C (109°F)
Water Temp.	5°C (41°F)	38°C (100°F)
Water Pressure	1 BAR (14 PSI)	5 BAR (70 PSI)
Electrical Voltage	230V/50Hz/1ph	

Dimensions

ALL MODELS	
W x D x H (mm)	467 x 570 x 790
W x D x H (in.)	18¼ x 22¼ x 31

* Dimensions do not account for the included adjustable legs.

Specifications

Model Number	Cond. Unit	Ice Production per 24hrs	Storage Capacity kg (lbs)	Water Consumption (lph)	kWH Used kg/24hr/10°C lbs/24hr/50°F	Voltage Characteristics
		32°C air/ 21°C water kg (lbs)				
UCG135A	Air	57 (125.5)	22 (48.5)	6	9	230/50/1

NOTES:

Approx. Shipping Weight kg (lbs): 44 (97)
Refrigerant Type: R134A

All specifications and performance data are subject to normal manufacturing variances.

Ice-O-Matic reserves the right to change the specifications at any time without obligation. Certifications may vary depending on country of origin.