

## Self Contained Ice Machine up to 108 kg



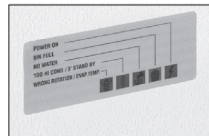
### Features

- Up to 108 kg (238 lb) of flake ice production per day
- Up to 30 kg (66 lb) built-in ice storage
- Electronically controlled operation, with self-diagnostic functions with external alarm lights providing operational information for early alert and fast diagnosis of operating issues
- External Components constructed from corrosion-resistant stainless steel crafted for optimal aesthetic appeal through superior fit and finish
- Ergonomically convenient, slanted & disappearing storage bin door
- Front Access for Easier Maintenance
- Front-in, front-out airflow allows for built-in installations
- CFC Free R-404A Refrigerant
- 90 mm (3 1/2") legs included

### AF 103 Technologies



SS AISI 304



Electronic

Model	Compressor	10°C : 10°C		21°C : 15°C		[kg]	[lb]	[mm]	[inches]
		[kg]	[lb]	[kg]	[lb]				
AF 103 AS		105	231,5	98	216	30	66	592x622x997/1077	235/16"x241/2"x391/4-421/32"
AF 103 WS		108	238	98	216	30	66		

This product qualifies for the following listings:



Certified ISO 9001

**Flake Ice**  
Residual water content 25%



Ice in its most natural form, made at a temperature just below zero degrees Celsius, with 25% residual water content, making it very moist. Its flake shape makes it extremely versatile and very simple to use effectively.

**2** Years Warranty

Subject to certain limitations and exclusions

Download our free app **Scotsman Ice**

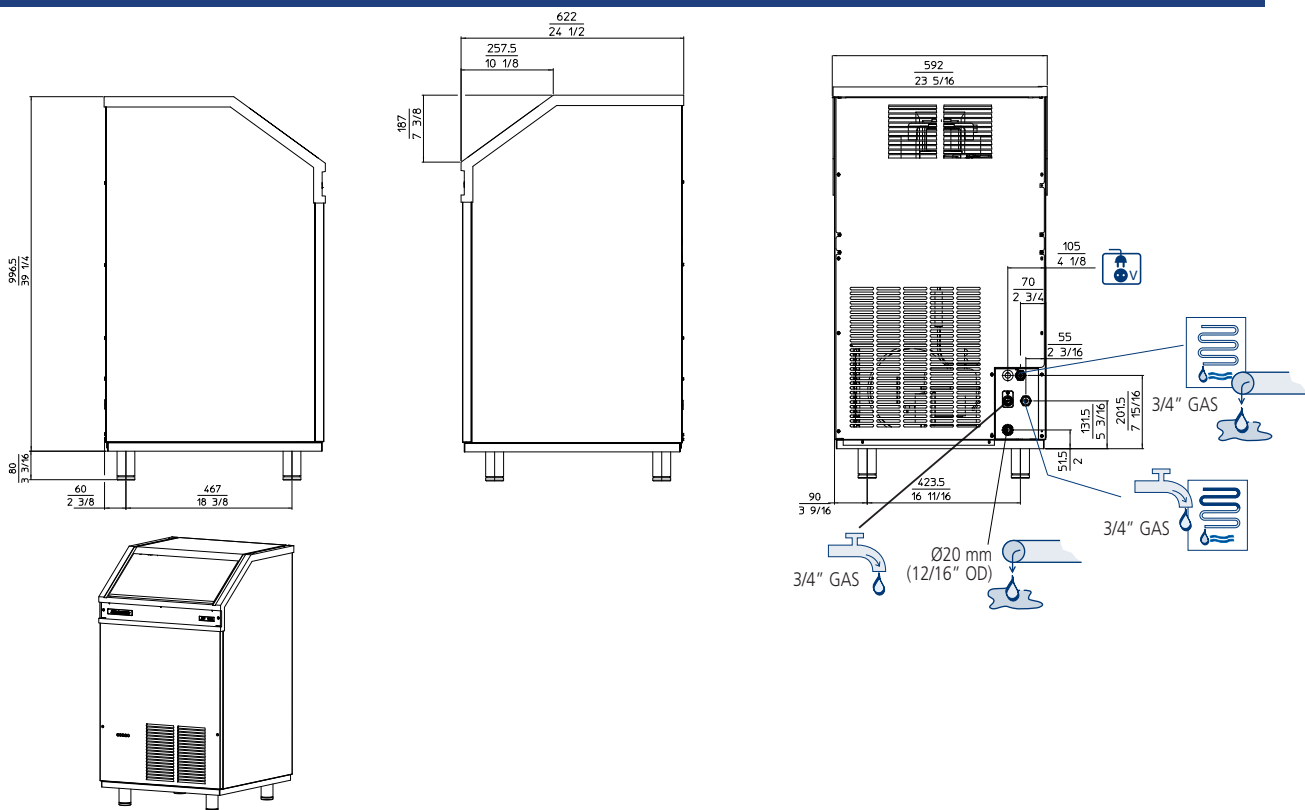
Available on:  
Apple store  
Google play  
Windows store



[www.scotsman-ice.it](http://www.scotsman-ice.it)  
[www.scotsman-ice.com](http://www.scotsman-ice.com)

Other models in this range:  
AF 80 - AF 124  
AF 156 - AF 206

## Self Contained Ice Machine up to 108 Kg



### AF 103 AIR COOLED

°C	°F				kg	lbs
	50°	60°	70°	90°		
10°	105	101	97	89	kg	lbs
50°	231,5	222,5	214	196	lbs	kg
21°	102	98	94	86	kg	lbs
70°	225	216	207	189,5	lbs	kg
32°	88	84	80	72	kg	lbs
90°	194	185	176	159	lbs	kg
38°	82	78	74	66	kg	lbs
100	181	172	163	145,5	lbs	kg



### AF 103 WATER COOLED

°C	°F				kg	lbs
	50°	60°	70°	90°		
10°	108	100	92	76	kg	lbs
50°	238	220,5	203	167,5	lbs	kg
21°	106	98	90	74	kg	lbs
70°	233,5	216	198,5	163	lbs	kg
32°	105	97	89	73	kg	lbs
90°	231,5	214	196	161	lbs	kg
38°	103	95	87	71	kg	lbs
100	227	209,5	192	156,5	lbs	kg



Minimum

10°C (50°F)



Maximum

43°C (110°F)

5°C (41°F)

-10%

1 bar  
14 psi

38°C (100°F)

+10%

5 bar  
70 psi

Model	Compressor	Capacity [Btu/h] [W]	Condenser Area [Ømm <sup>2</sup> ] [W]	FUSE	Power [kWh] - 100 kg	Water [l/h]	Ice [kg] [lb]	Weight [kg] [lb]
AF 103 AS		3270 960	3 x 1.5 470	10	12,5	3,3 0,88	66 145	74 163
AF 103 WS		3270 960	3 x 1.5 360	10	9,6	31,8 8,40	68 150	76 167

#### IMPORTANT NOTICE:

Models and specifications are subject to change without notice.  
This spec sheet is meant for commercial purpose only.  
For technical documentation please refer to our service manuals.

[www.scotsman-ice.it](http://www.scotsman-ice.it)  
[www.scotsman-ice.com](http://www.scotsman-ice.com)

**Scotsman®**  
Ice Systems

Milano Madrid Chicago Dubai Singapore Shanghai Johannesburg