



POTATO CHIPPING MACHINE CF-5

Ideal to make perfect french fries for restaurants and large kitchens.



FEATURES AND BENEFITS

- Equipped with a knife block and pusher set.
- ✓ Light stainless alloy body: light and strong.
- ✓ Clean cut, without breaching or throw-away and without fatigue.
- ✓ The use of exchangeable knife blocks and pusher sets allows thicknesses of 8, 10 or 12 mm to be achieved.
- ✓ Controls and nuts and bolts in stainless steel.
- ✓ The pusher ejects the chips and leaves the grid free.
- ✓ Extended handle which provides optimal results with minimal effort.
- ✓ Comfortable use: The springs at the rear leave the grid completely free.
- ✓ The springs are highly flexible compensators which help to raise the presser-ejector.
- ✓ Equipped with suction feet to provide stability on the work surface.
- ✓ Easy to clean.
- ✓ Blade units of various sizes and holding bowls for cut potatoes are available as optional accessories.

SALES DESCRIPTION

Output: 100 - 150 Kg./h.

INCLUDES

- ✓ 1 Knife block + pusher set.

DYNAMIC PREPARATION
HAND OPERATED POTATO CHIPPING MACHINE



SAMMIC, S.L.
Basiglio, 1 - 20720 ASKOFITTA
www.sammic.com



www.sammic.co.uk
Food Service Equipment Manufacturer
 Unit 2, Trevanah Road
 Troon Industrial Park
 LE4 9LS - Leicester
 uksales@sammic.com
 Tel.: +44 0116 246 1900



Project	Date
Item	Qty
Approved	

product sheet
updated 06/03/2018



POTATO CHIPPING MACHINE CF-5

Ideal to make perfect french fries for restaurants and large kitchens.



SPECIFICATIONS

Hourly production: 100 Kg - 150 Kg

External dimensions (WxDxH)

✓ Width: 280 mm

✓ Depth: 512 mm

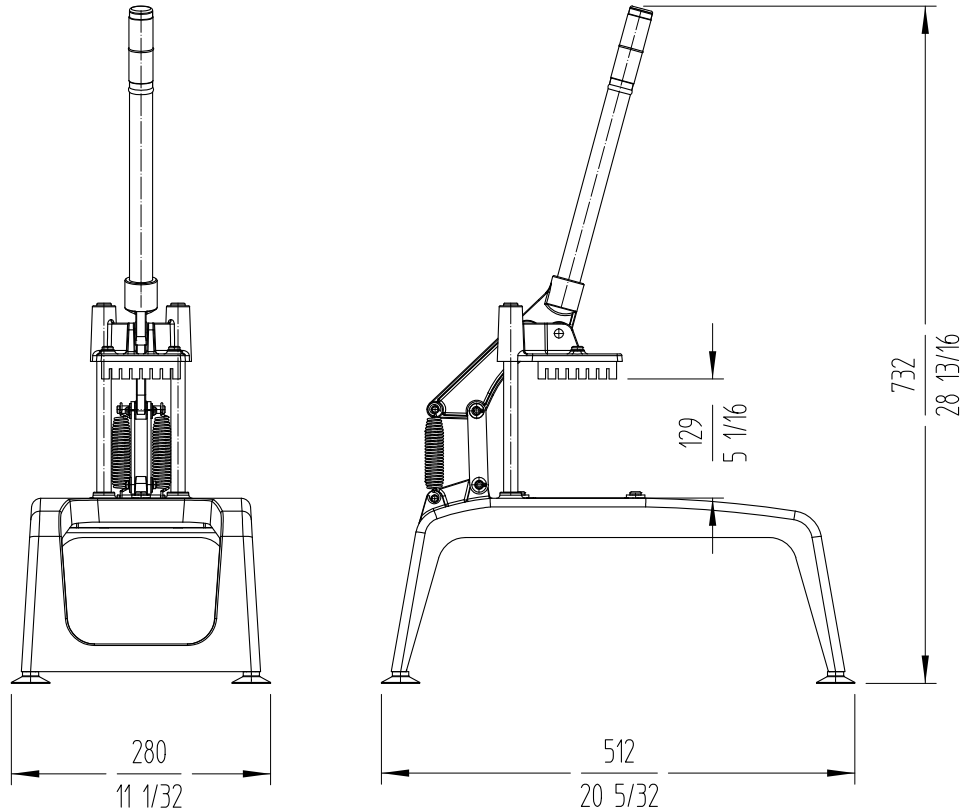
✓ Height: 735 mm

Net weight: 4 Kg

Crated dimensions

285 x 565 x 425 mm

Gross weight: 5.6 Kg.



AVAILABLE MODELS

1020060 Hand chipping machine CF-5 · 8 x 8 mm (5/16" x 5/16")

1020061 Hand chipping machine CF-5 · 10 x 10 mm (3/8" x 3/8")

1020062 Hand chipping machine CF-5 · 12 x 12 mm (1/2" x 1/2")

* Ask for special versions availability

ACCESSORIES

Knife block and pusher set

GN standard containers

DYNAMIC PREPARATION
HAND OPERATED POTATO CHIPPING MACHINE



www.sammic.co.uk

Food Service Equipment Manufacturer

Unit 2, Trevanth Road
Troon Industrial Park
LE4 9LS - Leicester

uksales@sammic.com
Tel.: +44 0116 246 1900



Project

Date

Item

Qty

Approved

product sheet
updated 06/03/2018