



PS-32 MEAT MINCER

Hourly output: up to 425 Kg.



FEATURES AND BENEFITS

Ideal for foodservice, communities and food retailers.

- ✓ **The motor unit and the cutting units must be ordered separately.**
- ✓ Stainless steel body.
- ✓ Powerful motor.
- ✓ Stainless steel mesh plate and knife.
- ✓ Easy-to-remove cutting unit for cleaning.
- ✓ Removable stainless steel hopper.
- ✓ Start-stop switch.
- ✓ Please note: as a result of continuous product improvements, these specifications are subject to change without prior notice.

INCLUDES

- ✓ Motor unit.

SALES DESCRIPTION

The motor unit and the cutting units must be ordered separately.

Available with aluminium or stainless steel Enterprise system cutting unit, or Unger double cut stainless steel system.

3-phase model only.

1 knife and a Ø 6 mm. mesh plate included.



www.sammic.co.uk

Food Service Equipment Manufacturer

Unit 2, Trevanah Road
Troon Industrial Park
LE4 9LS - Leicester

uksales@sammic.com
Tel.: +44 0116 246 1900



Project	Date
Item	Qty
Approved	

DYNAMIC PREPARATION
COMMERCIAL MEAT MINCERS

product sheet
updated 06/03/2018



PS-32 MEAT MINCER

Hourly output: up to 425 Kg.



SPECIFICATIONS

Production /hour (max): 425 Kg

Plate diameter: Ø 98 mm

Inlet mouth diameter (1) : 60 mm

Refrigerated mincer: No

Total loading: 1500 W

External dimensions (WxDxH)

✓ Width: 310 mm

✓ Depth: 460 mm

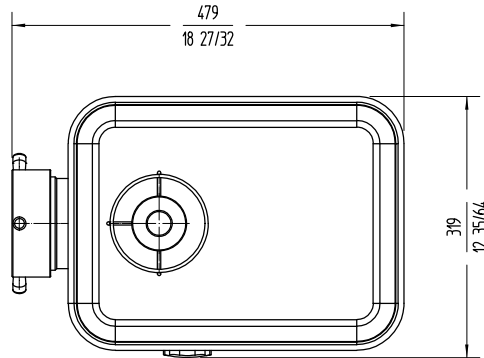
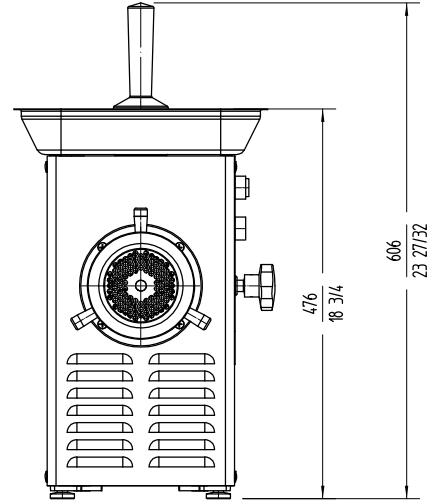
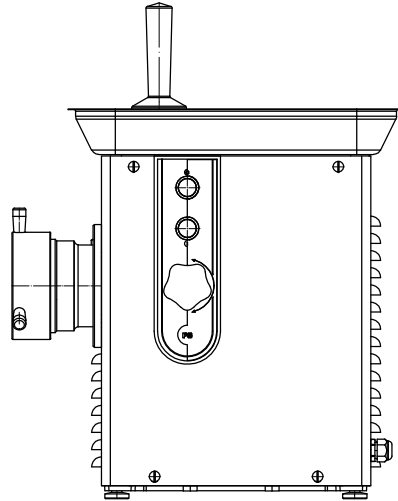
✓ Height: 480 mm

Net weight: 33 Kg

Noise level (1m.): <70 dB(A)

Background noise: 32 dB(A)

IP Protection grade: 21



AVAILABLE MODELS

1050220 Motor unit PS-32 230-400/50/3 (without cutting unit)

* Ask for special versions availability

ACCESSORIES

- Enterprise cutting unit in aluminium
- Unger cutting unit in stainless steel
- Enterprise cutting unit in stainless steel
- Mesh plates

DYNAMIC PREPARATION
COMMERCIAL MEAT MINCERS



www.sammic.co.uk

Food Service Equipment Manufacturer

Unit 2, Trevanth Road
Troon Industrial Park
LE4 9LS - Leicester

uksales@sammic.com
Tel.: +44 0116 246 1900



Project

Date

Item

Qty

Approved

product sheet
updated 06/03/2018