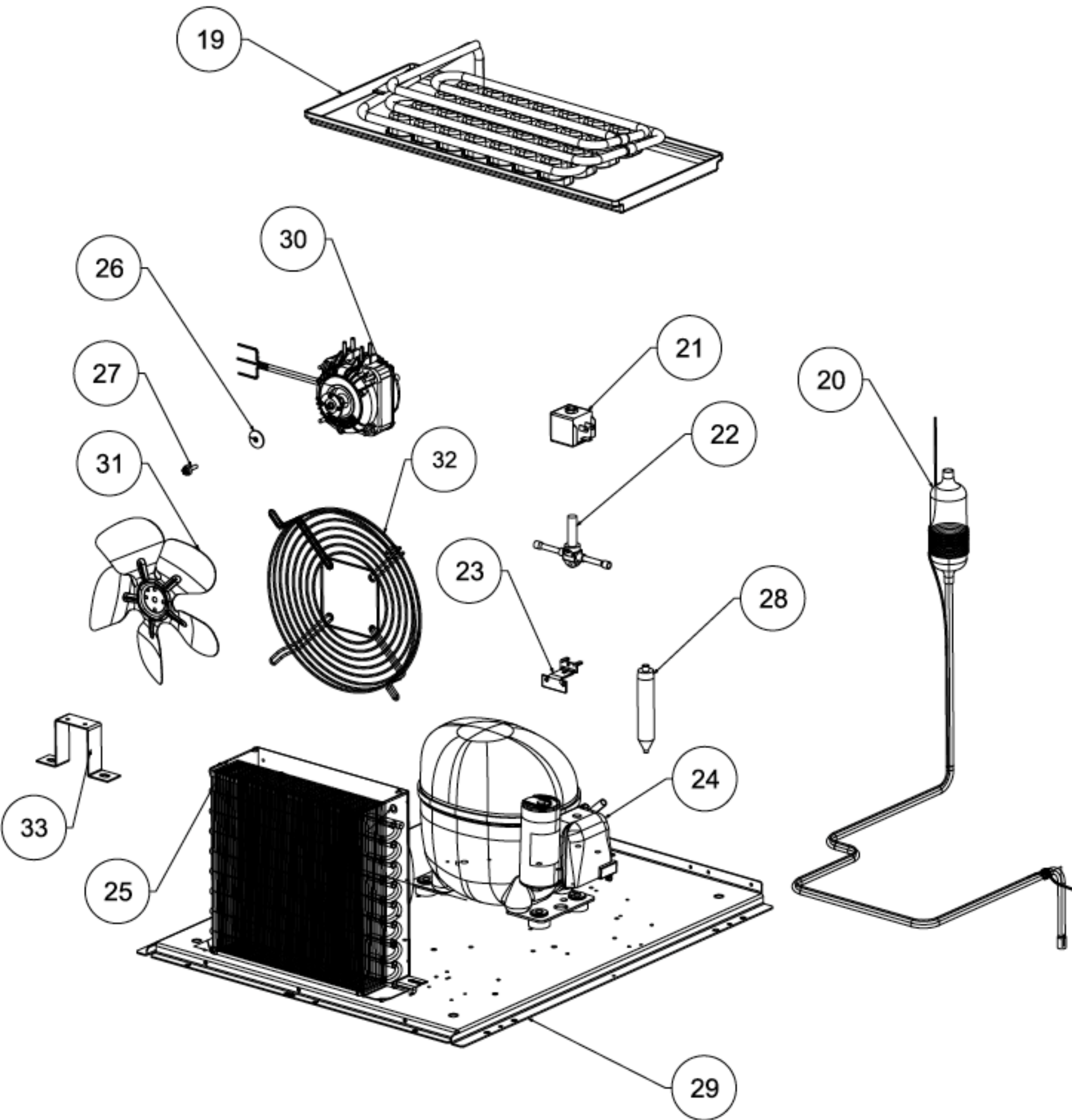


PART NUMBER	UA026	UA027	UA028	UA029	Explanation
01	5500300100	5500030100	5500290100	5500400100	P.U Body Pack
02	1101950100	1100320100	1100320100	1102310100	Top Sheet
03	DX401	AP733	AP734	AP735	Inner Basin
04	5500460100	5500040100	5500040100	5500470100	Door Pack
05	-	DX402	DX402	DX402	Filter Group
06	-	DX403	DX403	DX403	Sponge Air Filter
07	DX404	DX404	DX404	DX404	Button Holder
10	1108340100	11108210100	1108400100	1108390100	Front Panel V3
11	DX407	DX407	DX407	DX407	Door Pin
12	DX408	DX408	DX408	DX408	Door Spring
13	1101990100	1100300100	1101350100	1102330100	Rear Panel
14	DX409	DX409	DX409	DX409	Adjustable Small Foot
15	-	DX410	DX410	DX410	Adjustable Big Foot
16	DX411	DX411	DX411	DX411	Button Frame
17	DX412	DX412	DX412	DX412	Top Sheet Assembly Screw
18	DX413	AP736	AP736	AP737	Bulp Pipe

Cabinet System

UA026 // UA027 // UA028 // UA029



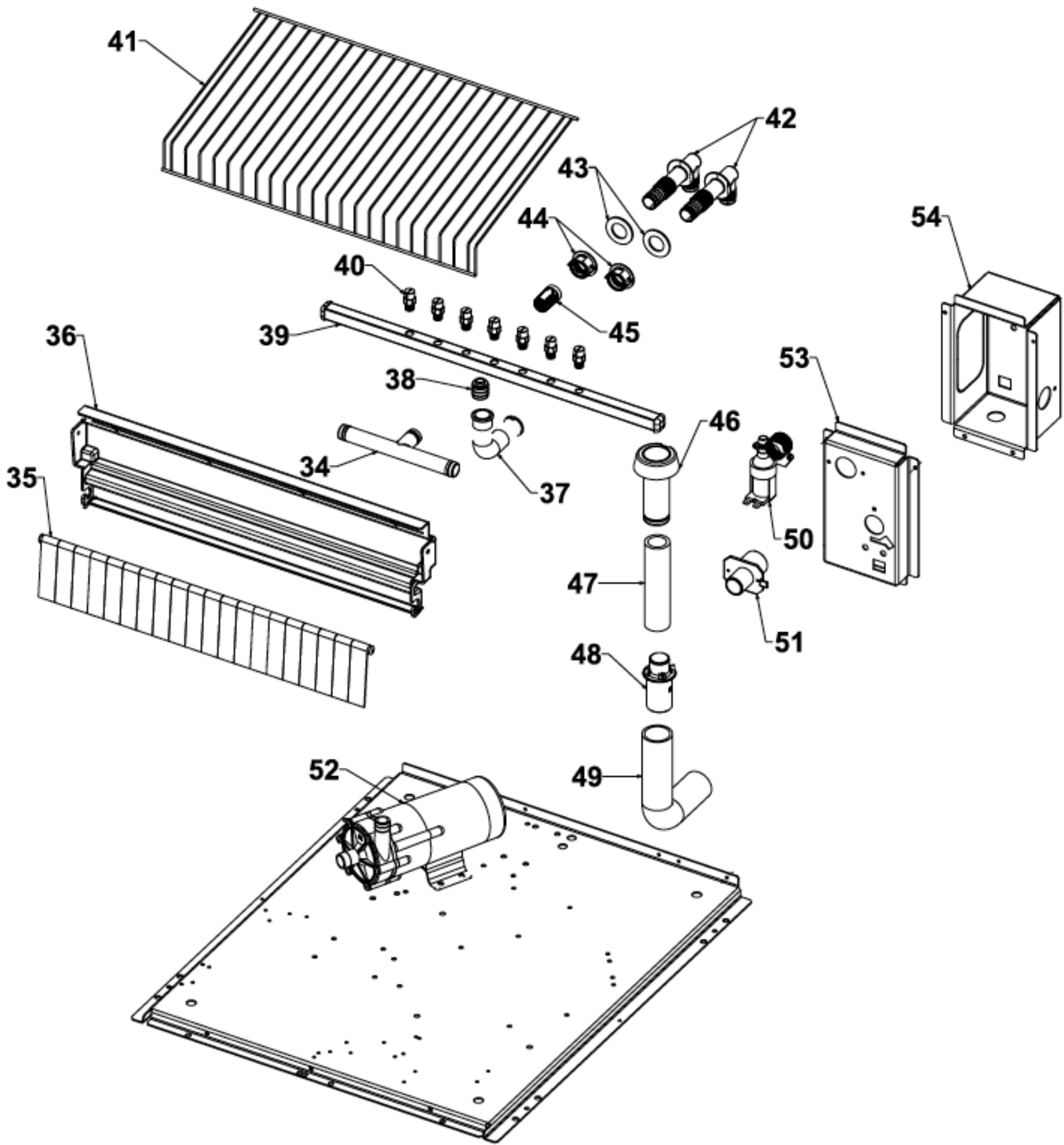


PART NUMBER	UA026	UA027	UA028	UA029	Explanation
19	5500540100	5500200100	5500360100	5500640100	Evaporator Group
20	DX415	AP738	AP739	AP740	Heat Exchanger R290
21	DX416	DX416	DX416	1104800100	Hot Gas Valve Coil
22	DX417	DX417	DX417	1104800100	Hot Gas Valve
23	DX418	DX418	DX418	DX418	Hot Gas Valve Bracket
24	DX419	AP730	1110170100	1110200100	Compressor R290
25	1108450100	1110320100	1110330100	1110350100	Condenser R290
26	DX421	DX421	DX421	DX421	Fan Blade Assembly Flat Washer
27	DX422	DX422	DX422	DX422	Fan Blade Assembly Screw
28	1100390100	1100390100	1100390100	1102910100	Drayer
29	1102090100	1104020100	1104020100	1102340100	Compressor Assembly Sheet
30	DX424	DX424	DX424	AP741	Fan
31	DX425	DX425	DX425	1100380300	Fan Blade
32	-	DX427	DX427	1104910100	Finger Guard
33	110740400	-	-	-	Mounting Bracket Fan

COOLING SYSTEM

UA026 // UA027 // UA028 // UA029

POLAR



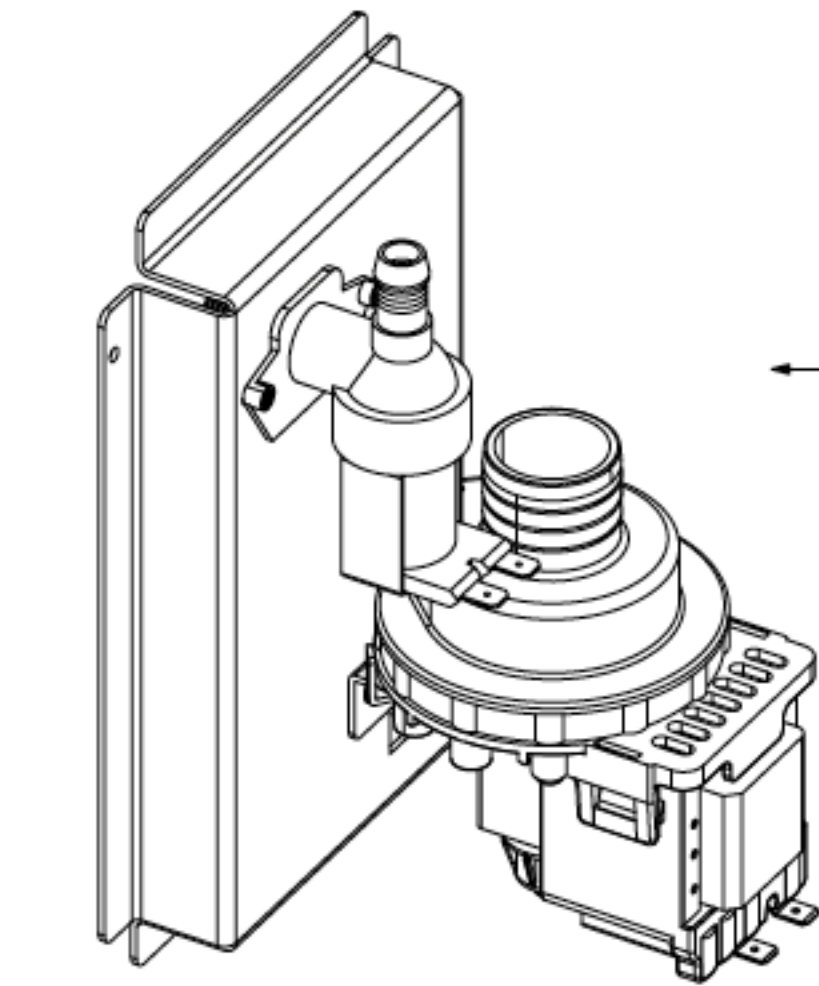
PART NUMBER	UA026	UA027	UA028	UA029	Explanation
34	-	-	1101910100	1101910100	Plastic T Profile
35	5500510100	5500160100	5500160100	5500710100	Curtains
36	1101750100	1100040100	1100040100	1101890100	Pool Front Plastic
37	1100840100	1100840100	1100840100	1100840100	Water Inlet Elbow
38	1102440100	1102440100	1102440100	1102440100	Water Inlet Flare
39	1102120100	1100750100	1102080100	1102380100	Sprayers Bar
40	1105960100	1105960100	1100770100	1105960100	Sprayer
41	1102070100	1100220100	1100220100	1102410100	Slide Grate
42	1100160100	1100160100	1100160100	1100160100	Water Pump Adapter
43	1100850100	1100850100	1100850100	1100850100	Sealing Gasket
44	1100170100	1100170100	1100170100	1100170100	Fittings Locking Ring
45	1100500100	1100500100	1100500100	1100500100	Water Filter
46	5500170100	5500170100	5500170100	5500170100	Water Level Drain plastic group
47	1101520200	1101520100	1101520300	1101520400	Hose 1'
48	1100190100	1100190100	1100190100	1100190100	Water Outlet Plastic
49	1101940200	1101940200	1101940200	1101940100	Water Outlet Elbow
50	DX428	DX428	DX428	DX428	Water Inlet Valve
51	1100860100	1100860100	1100860100	1100860100	Water Flare
52	1102190100	1100600100	1100600100	1105930100	Water Pump
53	1102190100	1106330100	1106330100	-	Hose Support
54	-	-	-	1104420100	Hose Support

WATER DISTRIBUTION SYSTEM

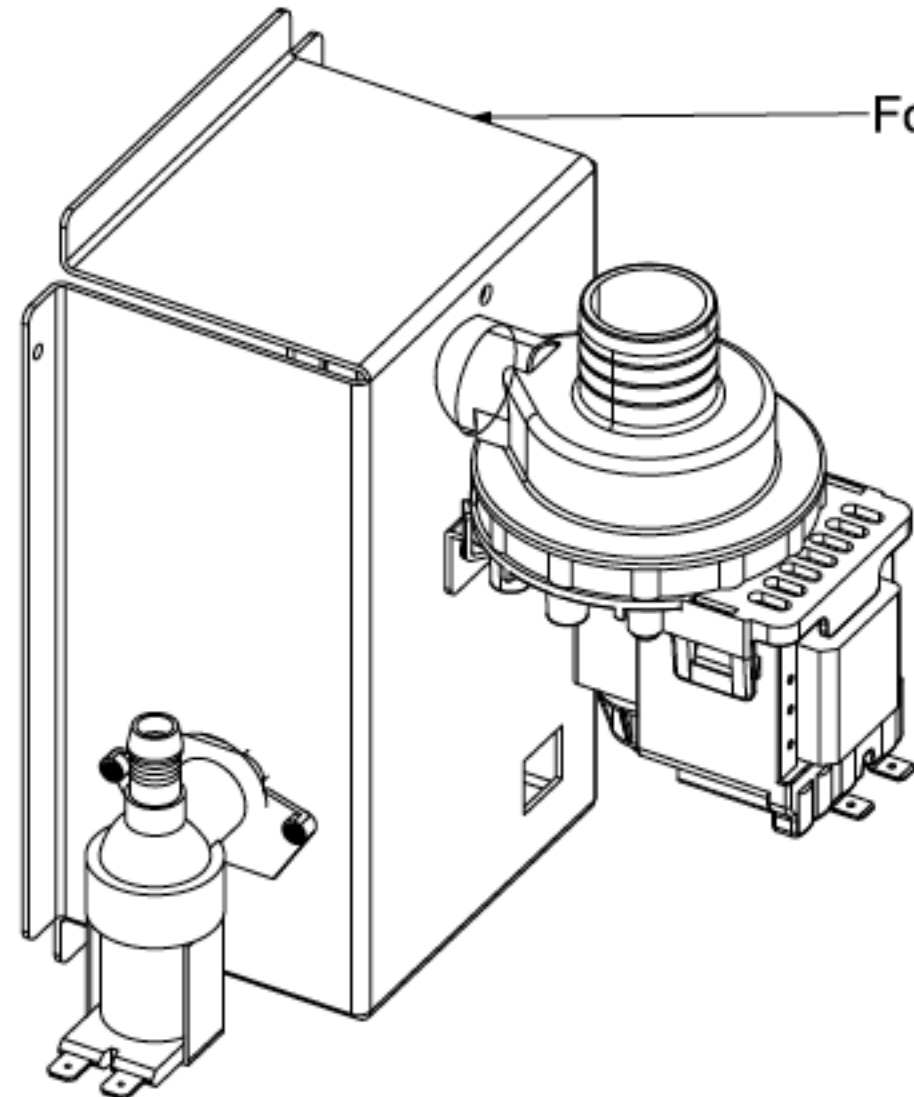
UA026 // UA027 // UA028 // UA029



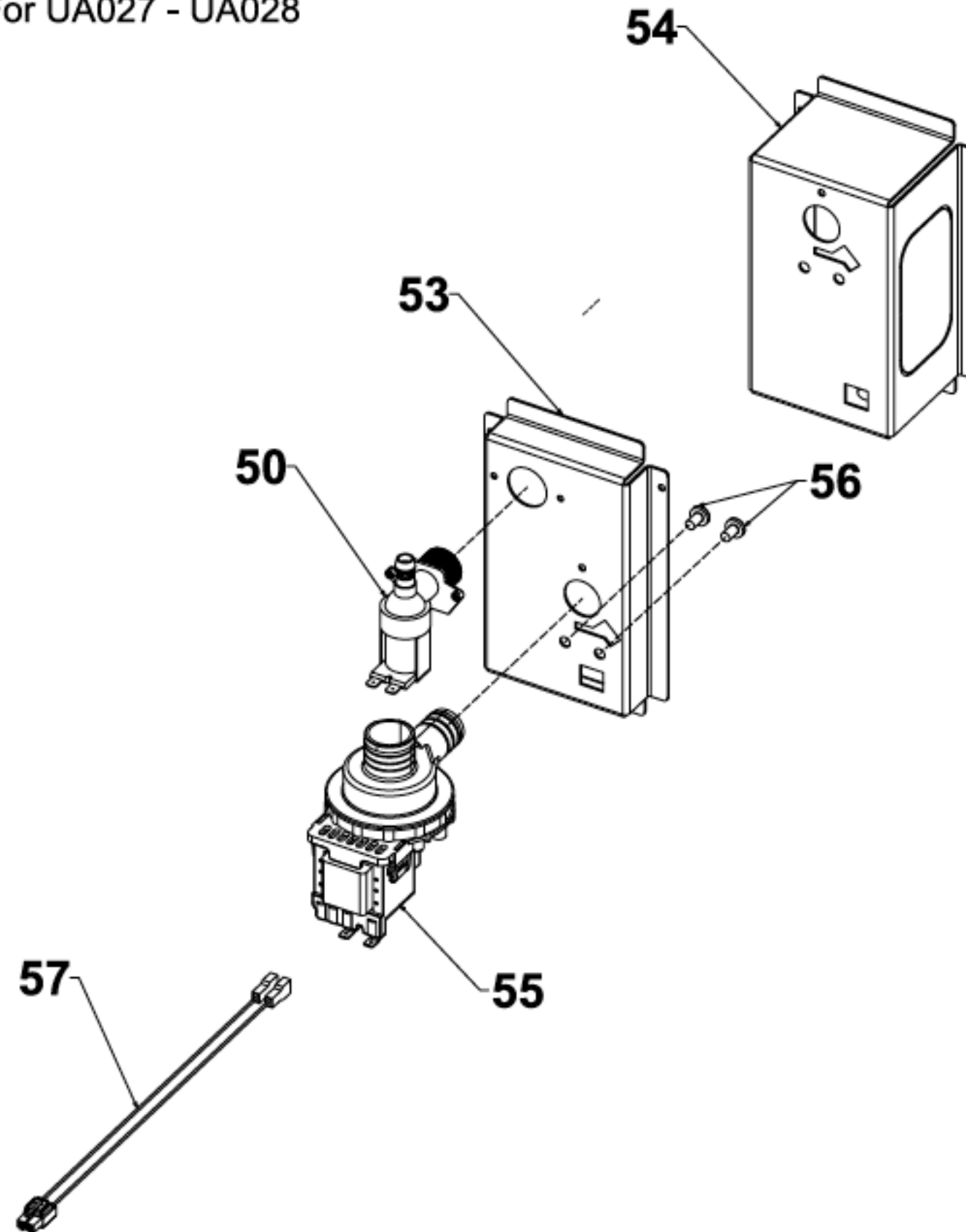
PART NUMBER	UA026	UA027	UA028	UA029	Explanation
50	DX428	DX428	DX428	1100560200	Water Inlet Valve
53	1106330100	1106330100	1106330100	-	Hose Support
54	-	-	-	1104420100	Hose Support
55	-	DX429	DX429	DX429	Drain Pump
56	-	DX430	DX430	DX430	M6x10 Screw
57	-	DX431	DX431	DX431	Drain Pump Cable



For UA027 - UA028



For UA029



DRAIN PUMP INSTALLATION

UA027 // UA028 // UA029

POLAR

PART NUMBER	UA026	UA027	UA028	UA029	Explanation
08	DX405	DX405	DX405	DX405	Cleaning Button
09	DX406	DX406	DX406	DX406	Power Switch
58	DX432	DX432	DX432	DX432	Plastic Card Holder V2
59	DX433	1100460100	1100460100	1100460100	Probe Evaporator - Condenser
60	DX434	DX434	DX434	DX434	Probe Ice Bin
61	1100080100	1100080100	1100080100	1100080100	Card Assembly Sheet
*** 62	DX435	DX435	DX435	DX435	Motherboard V3
63	1105440100	1105440100	1105440100	1105440100	Card Cover Sheet

*** Look at the switch position

ELECTRONIC CONTROLLER

UA026 // UA027 // UA028 // UA029

