



TRUE EUROPE

UK OFFICE: Field's End Road, Goldthorpe, Nr. Rotherham, South Yorkshire S63 9EU, UK
 Tel +44 01709 888 080 • Fax +44 01709 880 838 • Free Phone 0 800 783 2049
 Free Phone to U.S. 0 800 894 928 • EU OFFICE: Hauptstr. 269 • 79650 Schopfheim • Germany
 Tel +49 07622 6883 0 • Fax +49 07622 6883 499 • www.truemfg.com



9/16

Model:
TUC-27D-2-HC

Undercounter:
Drawered Refrigerator with Hydrocarbon Refrigerant



TUC-27D-2-HC

- ▶ True's undercounter units are designed with enduring quality that protects your long term investment.
- ▶ Designed using the highest quality materials and components to provide the user with colder product temperatures, lower utility costs, exceptional food safety and the best value in today's food service marketplace.
- ▶ Factory engineered, self-contained, capillary tube system using environmentally friendly R290 hydro carbon refrigerant that has zero (0) ozone depletion potential (ODP), & three (3) global warming potential (GWP).
- ▶ Oversized, environmentally friendly forced-air refrigeration system holds 33°F to 38°F (.5°C to 3.3°C).
- ▶ All stainless steel front, top and ends. Matching aluminum finished back.
- ▶ Attractive, clear coated aluminum liner. Stainless steel floor with coved corners.
- ▶ Front breathing.
- ▶ Each drawer accommodates one (1) full size 12L "x 20"W x 6"D (305 mm x 508 mm x 153 mm) food pan (sold separately).
- ▶ Foamed-in-place using a high density, polyurethane insulation that has zero ozone depletion potential (ODP) and zero global warming potential (GWP).

ENERGIA - ENERGIJA - ENERGIJA
 ENERGIJA - ENERGY - ENERGIE
 ENERGI

571 kWh/annum

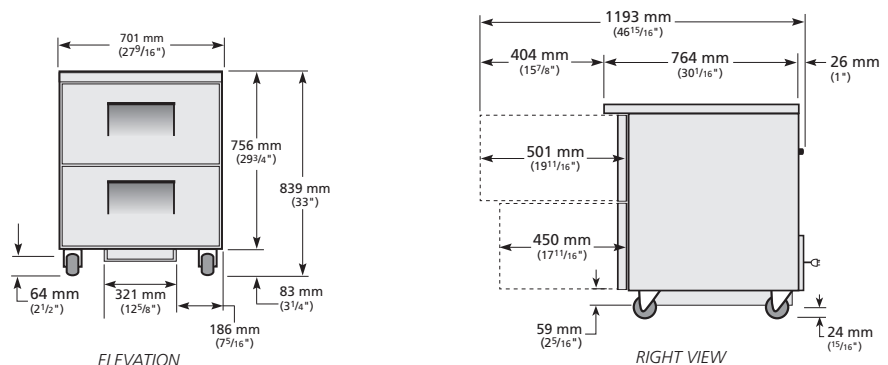
40 L

— L

4 30°C-55%

2015/1094

PLAN VIEW



ROUGH-IN DATA

Specifications subject to change without notice.
 Chart dimensions rounded up to the next whole millimeter (inches rounded up to the next 1/8").

Model	Model Type	Drawers	Shelves	Cabinet Dimensions (mm)			Net Volume (litres)	EEC	EEI	24 hr/ Energy Consumption (kWh)	Annual Energy Consumption (kWh)	Crated Weight (kg)
				L	D	H						
TUC-27D-2-HC	Counter Chilled	2	N/A	702	766	839	40	B	30.2	1.564	571	103

† Depth does not include 26 mm for rear bumpers.