



Installation, Operating and Servicing Instructions

Lynx 400 Electric Infra-Red Grill LSC, LPC

Please make a note of your product details for
future use:

Date Purchased: _____

Model Number: _____

Serial Number: _____

Dealer: _____

The LYNX 400 logo features the word 'LYNX' in a bold, blue, sans-serif font, followed by '400' in a larger, bold, blue, sans-serif font. The '400' has a slight shadow effect.

CONTENTS

Important Information	2
Warnings and Precautions	3
Technical Data	3
Checklist of Enclosures	3
Installation and Commissioning	3-4
Operating Instructions	5-6
Cleaning	6
Servicing, Maintenance and Component Replacement	6-7
Fault Finding	7
Spare Parts List	7
Accessories	7
Service Information and Guarantee	8

IMPORTANT INFORMATION



Read these instructions carefully before using this product, paying particular attention to all sections that carry warning symbols, caution symbols and notices. Ensure that these are understood at all times.



WARNING!

This symbol is used whenever there is a risk of personal injury.



CAUTION!

This symbol is used whenever there is a risk of damaging your Lincat product.



NOTE:

This symbol is used to provide additional information, hints and tips.

KEEP THIS MANUAL FOR FUTURE REFERENCE

WARNINGS AND PRECAUTIONS



This appliance must be installed, commissioned and serviced by a qualified person in accordance with national and local regulations in force in the country of installation.

If the supply cord is damaged, it must be replaced by the manufacturer, its service agent or similarly qualified person.

Ensure that the plug/socket is accessible at all times.

Strip plastic coating, fit the feet and clean the appliance before use.

During operation parts may become hot - avoid accidental contact.

Disconnect this appliance before servicing, maintenance or cleaning.

TECHNICAL DATA

Model	Height (mm)	Width (mm)	Depth (mm)	Weight (kg)
LSC	328	551	302	12.5
LPC				12.0

CHECK LIST OF ENCLOSURES

Warranty card
Instructions manual
Toast rack
Removable reflector
Feet
Grill pan (LSC only)

INSTALLATION AND COMMISSIONING

This appliance must be earthed.

If replacing the plug connect the terminals as follows:

Green and Yellow wire	Earth	E
Blue wire	Neutral	N
Brown wire	Live	L

Supply cords shall be oil resistant, sheathed flexible cable not lighter than ordinary polychloroprene or equivalent elastomer sheathed cord (code 60245 IEC 57)

The rubber feet **must** be fitted into the base holes provided. This is to provide ventilation to components.

Install this appliance on a level surface ensuring all vents are unobstructed. Any partitions, walls or furniture must be of non-combustible material. Minimum distances A 100mm B 1000mm – see Fig 1.

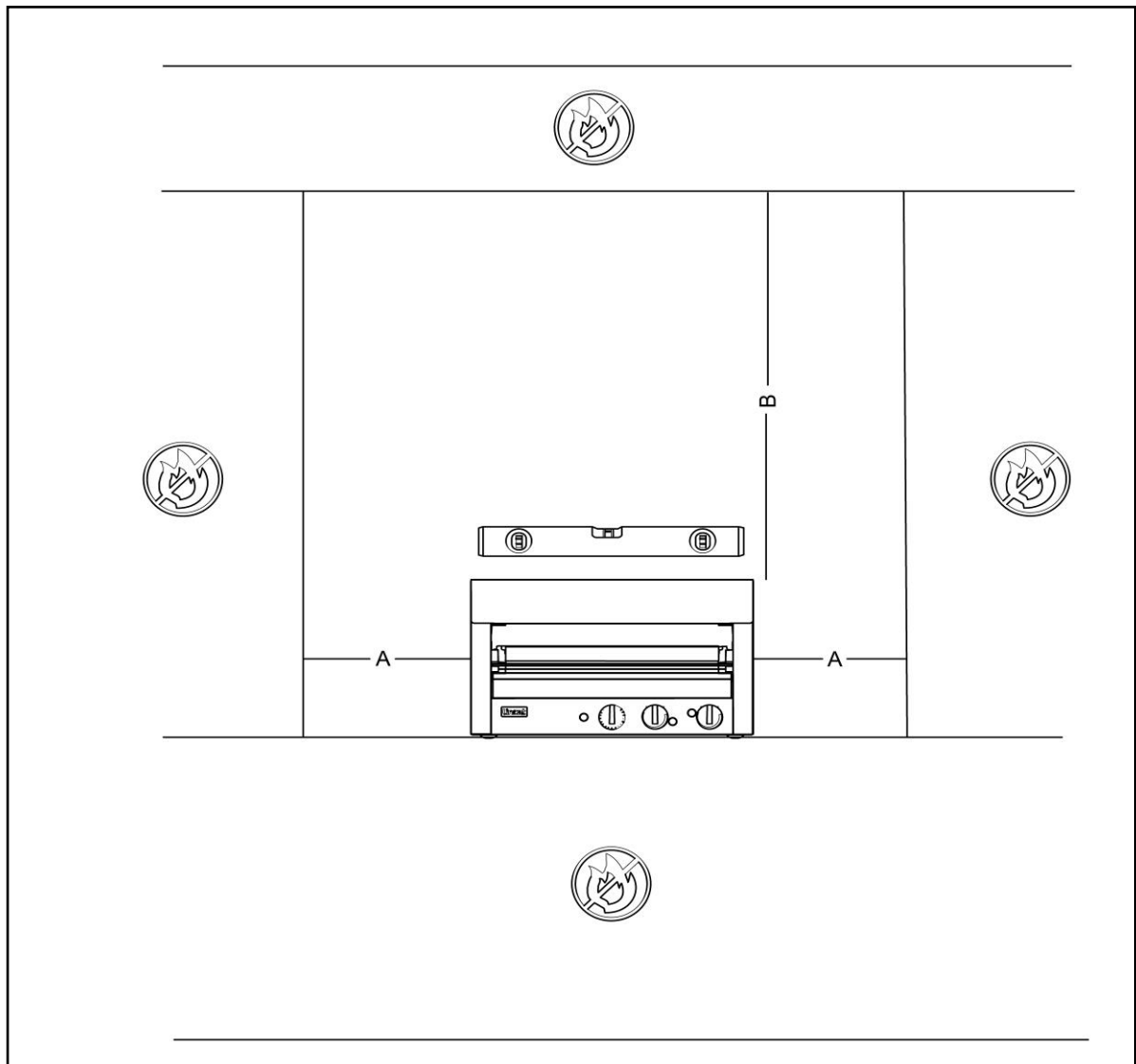


Fig 1

Instructions for fixing to wall brackets are provided with the brackets.

Dirty extraction filters and drip trays may become a fire hazard due to a build-up of grease/fat and also drip down onto equipment below. Regular cleaning of extraction filters and drip trays **MUST** be carried out and it's the installer's responsibility to make the operator aware of this.

If the unit is installed above or adjacent to a heat source, the maximum temperature surrounding the unit must be no greater than 50°C. The installer will need to use an insulated shelf and install heat shields to protect the unit as required.

Power Ratings

Model	kW	Amps
LSC	3.0	13.0
LPC		

OPERATING INSTRUCTIONS

Only qualified or trained personnel should use this appliance.

Do not place objects on top of this appliance.

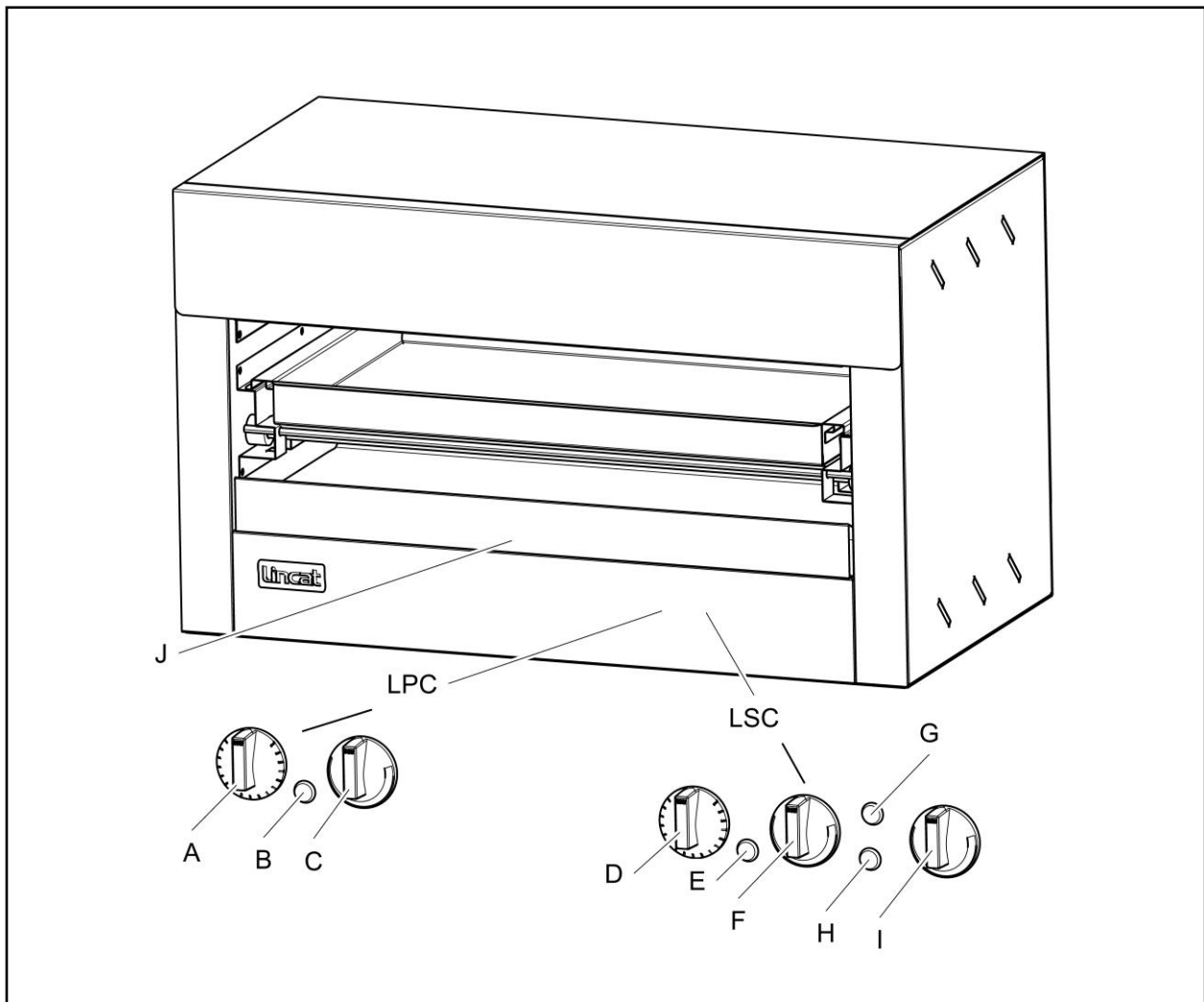


Fig 2

LPC	A	Timer
	B	Green power neon
	C	Lower element control

LSC	D	Timer
	E	Green power neon
	F	Lower element control
	G	Upper element amber neon
	H	Lower element amber neon
	I	Upper element control

LPC/LSC	J	Reflector
---------	---	-----------

Consulting Fig 2, connect the appliance to an electrical supply – the green neon illuminates to indicate power to the appliance.

The timer must first be set for either appliance to heat up. Set the timer (A or D) for a required time, the elements will switch off when the time expires. For constant heat turn the timer knob fully clockwise to the 'H' (Hold) position.

LPC – the upper elements are on constantly, the lower elements are controlled by C.

LSC – control of the upper and lower elements is independent by F and I.

The amber neons indicate the cycling of the elements.

CLEANING



Do not use a water jet or steam cleaner, and do not immerse this appliance.

Clean all panels with warm water and mild detergent, do not use abrasive materials. Dry with a soft cloth.

SERVICING, MAINTENANCE AND COMPONENT REPLACEMENT

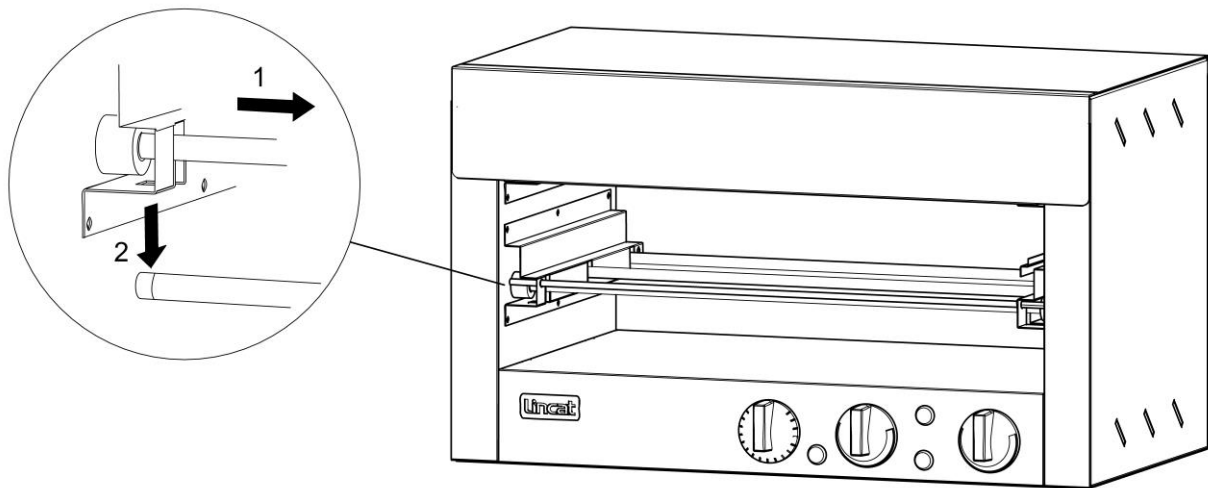


Fig 3

To replace a glass element (Fig 3) remove toast rack, grill pan and reflector.

The elements are sprung loaded. Carefully push the element sideways (1) until the end is clear of the ceramic ferrule.

Ease the element down through the cut out in the side bracket (2) and remove.

Reverse the procedure to replace the element. Be aware that the elements are fragile and damage easily.

All other servicing, maintenance and component replacement on this appliance should be carried out by one of our recommended service engineers.

FAULT FINDING

Please refer to the Service Help Desk number on the final page of this manual.

SPARE PARTS LIST

Part Number	Description	Used on
EL26	Element	LSC/LPC
EN10	Energy regulator	
FE11	Ceramic ferrule	
GP04	Grill pan	
KN237	Control knob	

KN243	Timer knob	
NE42	Amber neon	LSC
NE43	Green neon	LSC/LPC
PL202	Mains cable	
TI14	Timer	
TR10	Toast rack	

ACCESSORIES

Part Number	Description	Used on
BR15	Wall brackets	LSC/LPC
TO10	Toasting bagsx100	

SERVICE INFORMATION

For help with the installation, maintenance and use of your **Lincat** equipment, please contact our service department:

☎ UK: 01522 875520

For non-UK customers, please contact your local Lincat dealer

All service work, other than routine cleaning should be carried out by one of our authorised service agents. We cannot accept responsibility for work carried out by other persons.

To ensure your service enquiry is handled as efficiently as possible, please tell us:

- Brief details of the problem
 - Product code
 - Type number
 - Serial number
- } All available on serial plate

Lincat reserve the right to carry out any work under warranty, given reasonable access to the appliance, during normal working hours, Monday to Friday, 08:30 to 17:00.

GUARANTEE

This unit carries a comprehensive UK mainland 2 year warranty. The guarantee is in addition to, and does not diminish your statutory or legal rights.

The guarantee does not cover:

- Accidental damage, misuse or use not in accordance with the manufacturer's instructions
- Consumable items (such as filters, glass, bulbs, slot toaster elements and door seals.)
- Damage due to incorrect installation, modification, unauthorised service work or damage due to scale, food debris build-up, etc.

The manufacturer disclaims any liability for incidental, or consequential damages. Attendance is based on reasonable access to the appliance to allow the authorised technician to carry out the warranty work.

Service calls to equipment under warranty will be carried out in accordance with the conditions of sale. Unless otherwise specified, a maximum of 15 minutes of administrative time, not spent directly carrying out servicing work, is provided for within the warranty. Any requirement for staff attending the call to spend greater time than 15 minutes due to administrative requirements, such as on health and safety risk assessments, will be chargeable at the prevailing rate.