

Kitchen Furniture

A comprehensive range of benches, sinks and wall cupboards from Lincat, the leading UK manufacturer of commercial catering equipment.

Wall Benches & Centre Tables



L6512CT

L6009WB

- Quick and simple to assemble
- Undershelves for maximum storage space
- Sound deadening design
- High quality 304 grade stainless steel work surfaces for hygiene and corrosion resistance
- Adjustable feet creating level working surface
- Wall benches are available in depths of 600 or 650mm

Wall Cupboards



WL4

WL6

WL7

- Stainless steel construction
- Large capacity and a range of sizes
- Additional shelves available
- Three shelf positions

Sink Units & Wash Basins



L884 L/H

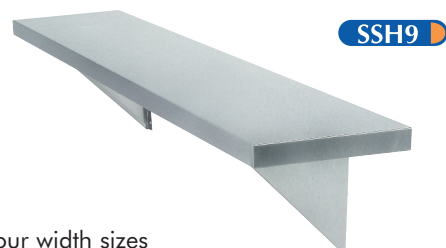
- Sound deadening pads under bowls and drainer
- Available with double or single tank and left or right hand drainer
- Tap location - accepts 12mm pillar or mixer taps (not supplied)
- 38mm waste outlet, plug, chain and overflow
- 250mm deep bowls



HWB1

- Constructed from easy to clean type 304 stainless steel
- Tap location - accepts 12mm pillar taps (not supplied)
- Waste outlet, plug, chain and overflow
- 105mm deep bowl

Wall Shelves



SSH9

- Four width sizes
- Manufactured from grade 430 stainless steel
- Supplied complete with brackets

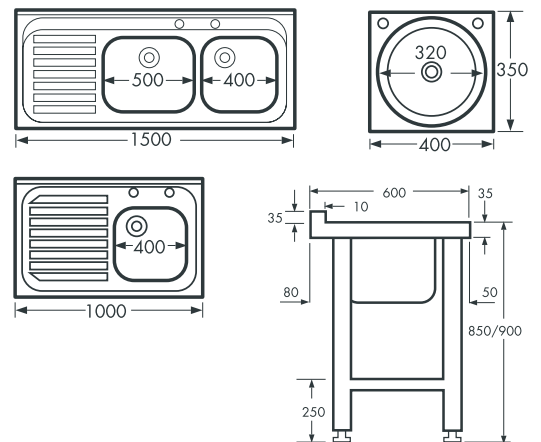
Technical Specifications

| Model | Description | External Dimensions |
|-----------------|---|---------------------|
| | | HxWxD (mm) |
| WL4 | Single wall cupboard | 600x450x300 |
| WL6 | Double wall cupboard | 600x600x300 |
| WL7 | Double wall cupboard | 600x750x300 |
| WL9 | Double wall cupboard | 600x900x300 |
| SSH9 | Shelves | 900x300 |
| SSH12 | Shelves | 1200x300 |
| SSH15 | Shelves | 1500x300 |
| SSH18 | Shelves | 1800x300 |
| L6506CT | Centre table | 900x600x650 |
| L6509CT | Centre table | 900x900x650 |
| L6512CT | Centre table | 900x1200x650 |
| L6515CT | Centre table | 900x1500x650 |
| L6518CT | Centre table | 900x1800x650 |
| L6009WB | Wall bench 600 series | 900x900x600 |
| L6012WB | Wall bench 600 series | 900x1200x600 |
| L6015WB | Wall bench 600 series | 900x1500x600 |
| L6018WB | Wall bench 600 series | 900x1800x600 |
| L6506WB | Wall bench 650 series | 900x600x650 |
| L6509WB | Wall bench 650 series | 900x900x650 |
| L65012WB | Wall bench 650 series | 900x1200x650 |
| L65015WB | Wall bench 650 series | 900x1500x650 |
| L65018WB | Wall bench 650 series | 900x1800x650 |
| L881 L/H | Single sink unit, left hand drainer | 900x1000x600 |
| L881 R/H | Single sink unit, right hand drainer | 900x1000x600 |
| L884 L/H | Double sink unit, left hand drainer | 900x1500x600 |
| L884 R/H | Double sink unit, right hand drainer | 900x1500x600 |
| HWB1 | Hand wash basin | 105x400x350 |

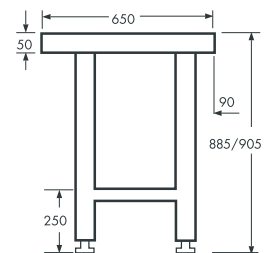
Optional Accessories

- **WLS4** Additional shelf for single cupboard (WL4)
- **WLS6** Additional shelf for double cupboard (WL6)
- **WLS7** Additional shelf for double cupboard (WL7)
- **WLS9** Additional shelf for double cupboard (WL9)
- **TA49** Single pillar taps for handwash basin (HWB1)
- **TA64** Mixer taps for sink units

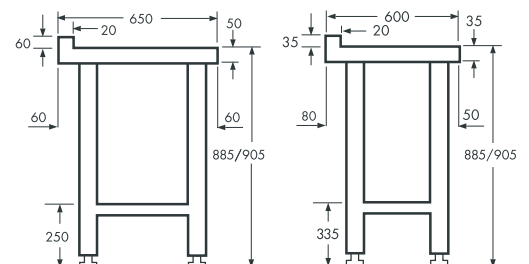
Sink Units



Centre Tables



Wall Benches



You can choose Lincat products with confidence. All products in this leaflet are backed by the reassurance of a comprehensive UK two-year parts and labour warranty.

QUALITY GUARANTEED



**Lincat Limited, Whisby Road,
Lincoln LN6 3QZ,
United Kingdom**

UK Sales Tel: 01522 875500 UK Spares Tel: 01522 875510 UK General Tel: 01522 875555
UK Fax: 01522 875530 International Sales Tel: +44 1522 503250 International Fax: +44 1522 875530
Website: www.lincat.co.uk UK Sales e-mail: sales@lincat.co.uk International Sales e-mail: export@lincat.co.uk