



Outperform every day.™

**Project:**

**Item Number:**

**Quantity:**

## INTERNATIONAL MIRAGE® BUFFET INDUCTION WARMERS



Mirage® Buffet Induction Warmers

### DESCRIPTION

The Mirage® Buffet Induction Warmers, available in countertop and drop-in styles, are ideally suited for buffet and catering operations.

Maximize your menu offerings without maxing out your electrical capacity. The low wattage warmers can be interconnected to one electrical outlet, which simplifies the planning and management of power cords, access to outlets and load capacity.

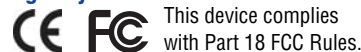
The Mirage® Buffet Induction Warmers are equipped with a variety of safety features including:

- Over-heat protection
- Small-article detection
- Pan auto-detection function
- Empty-pan shut-off

### WARRANTY

All models shown come with Vollrath's standard warranty against defects in materials and workmanship. For full warranty details, please refer to [www.Vollrath.com](http://www.Vollrath.com).

### Agency Certifications



This device complies with Part 18 FCC Rules.

Due to continued product improvement, please consult [www.vollrath.com](http://www.vollrath.com) for current product specifications.

Item No.	Model No.	Description	Plug
595027502	5950275	Countertop, Black	Schuko
595027503			UK
595027504			China
595027505			Australia
595028002	5950280	Countertop, Natural	Schuko
595028003			UK
595028004			China
595028005			Australia
59502DW02	59502DW	Drop-in	Schuko
59502DW03			UK
59502DW04			China
59502DW05			Australia

### FEATURES

- Connect up to three warmers with the included interconnect cords. The center warmer must connect to the electrical outlet.
- Up to seven warmers (at maximum power) can be connected to a 10 amp circuit
- Storage compartment under warmer conveniently holds cords when not in use
- Touch controls
- Four power levels - low, medium, high and chafers preheat
- LED indicator lights on control panel and glass top
- Tempered black ceramic glass top is strong, non-porous and easy to clean
- Low profile design puts the focus on the food compliments any decor
- Drop-in warmers can be installed overhanging countertop or countersunk
- 6 ft. (183 cm) cord with plug
- 30 in. (76.2 cm) interconnect cord
- 5 ft. (152.4 cm) USB cable for remotely mounted control box
- One-year parts and labor warranty

### ACCESSORIES

- 59145 Carrying Case

### CLEARANCE AND ENVIRONMENT REQUIREMENTS

- This appliance is intended for use with induction-ready serving vessels.
- Countertop models require a distance equal to the height of the feet of the warmer.
- Drop-in models require a minimum of 2" (5 cm) of space between all four sides of the induction warmer and any surrounding surface, and minimum 12" (30.5 cm) between the bottom of the induction warmer and any surrounding surface.
- Control box for drop-in models requires a minimum of 4" (10 cm) behind the control box and any surrounding surface.
- All models require unrestricted intake and exhaust air ventilation for proper operation of the controls. The maximum intake temperature must not exceed 104°F (40°C). Temperatures are measured in ambient air while all appliances in the kitchen are in operation.

Approvals	Date

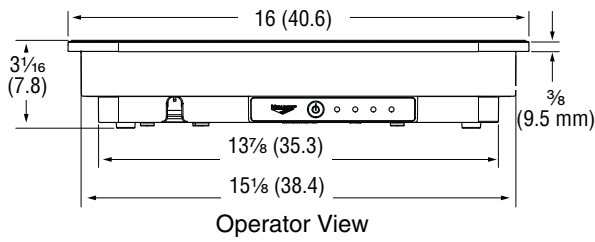
The Vollrath Company, L.L.C. Headquarters  
1236 North 18th Street  
Sheboygan, Wisconsin  
53081-3201 USA  
Main Tel: 800-624-2051 or 920-457-4851  
Main Fax: 800-752-5620 or 920-459-6573  
Canada Customer Service: 800-695-8560  
Tech Services: [techservices@vollrathco.com](mailto:techservices@vollrathco.com)  
[www.vollrath.com](http://www.vollrath.com)

Vollrath Europe BV  
Beneluxbaan 7  
5121 AD RIJEN  
The Netherlands  
+31161870005

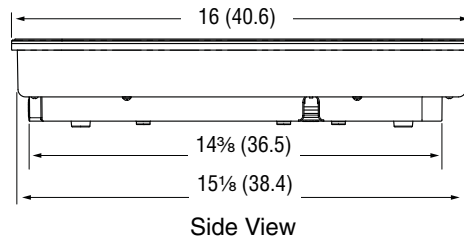
Vollrath of China  
Vollrath Shanghai Trading Limited  
23A, Time Square Plaza | 500  
Zhang Yang Road  
Pudong, Shanghai 200122  
Tel: 86-21-50589580

Vollrath de Mexico S. de R.L. de C.V.  
Periferico Sur No. 7980 Edificio 4-E  
Col. Santa Maria Tequepexpan  
45600 Tlaquepaque, Jalisco | Mexico  
Tel: (52) 333-133-6767  
Tel: (52) 333-133-6769  
Fax: (52) 333-133-6768

# INTERNATIONAL MIRAGE® BUFFET INDUCTION WARMERS

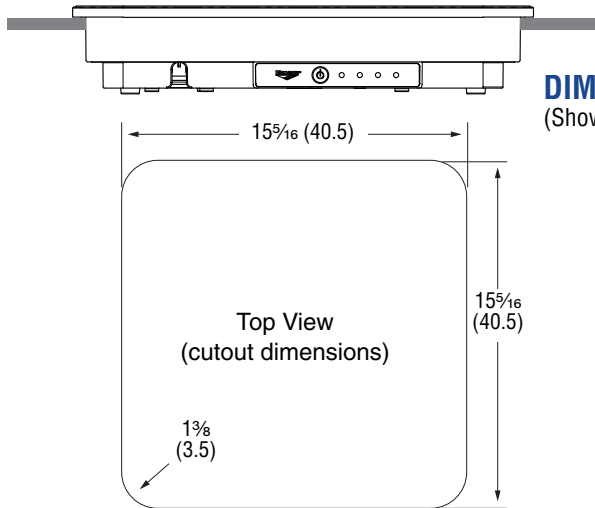


Operator View



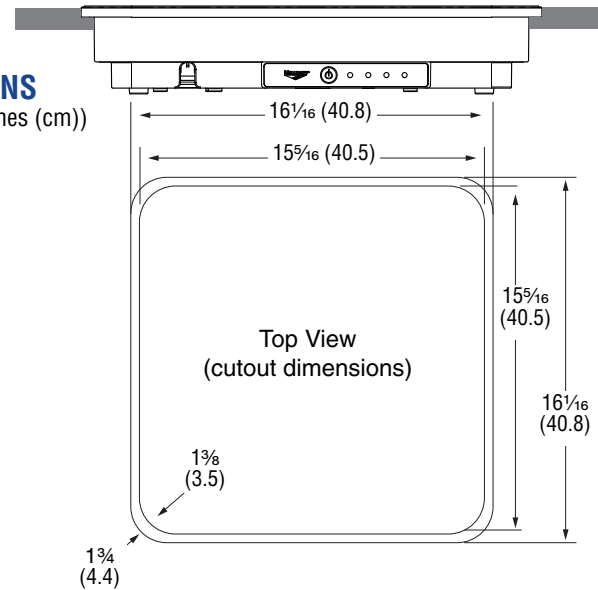
Side View

## Drop-in Model, Overhung Installation



Top View  
(cutout dimensions)

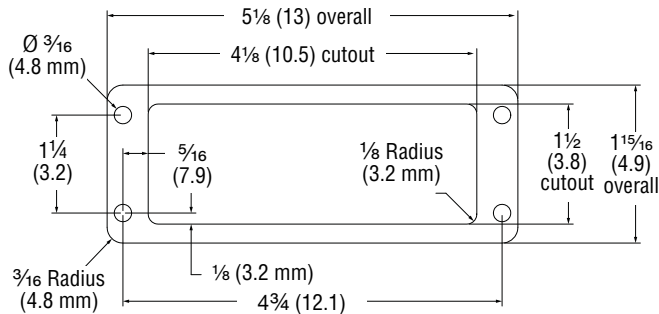
## Drop-in Model, Countersunk Installation



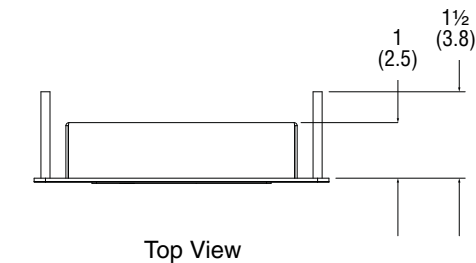
Top View  
(cutout dimensions)

## DIMENSIONS (Shown in inches (cm))

### Control Box (drop-in models only)



Face View



Top View

## SPECIFICATIONS

Item No.	Description	Max Pan Size	Watts	Volts	Amps	Hz	Plug	Weight LB (KG)
595027502	Countertop, Black	14 (35.6)	300	230	1.3	50/60	Schuko	14 (6.4)
595027503							UK	
595027504							China	
595027505	Countertop, Natural	14 (35.6)	300	230	1.3	50/60	Australia	14 (6.4)
595028002							Schuko	
595028003							UK	
595028004	Drop-in	14 (35.6)	300	230	1.3	50/60	China	14 (6.4)
595028005							Australia	
59502DW02							Schuko	
59502DW03	Drop-in	14 (35.6)	300	230	1.3	50/60	UK	14 (6.4)
59502DW04							China	
59502DW05							Australia	

### Receptacles



The Vollrath Company, L.L.C. Headquarters  
1236 North 18th Street  
Sheboygan, Wisconsin  
53081-3201 USA  
Main Tel: 800-624-2051 or 920-457-4851  
Main Fax: 800-752-5620 or 920-459-6573  
Canada Customer Service: 800-695-8560  
Tech Services: techservicereps@vollrathco.com  
www.vollrath.com

Vollrath Europe BV  
Beneluxbaan 7  
5121 AD RIJEN  
The Netherlands  
+31161870005

Vollrath of China  
Vollrath Shanghai Trading Limited  
23A, Time Square Plaza | 500  
Zhang Yang Road  
Pudong, Shanghai 200122  
Tel: 86-21-50589580

Vollrath de Mexico S. de R.L. de C.V.  
Periferico Sur No. 7980 Edificio 4-E  
Col. Santa Maria Tequepexpan  
45600 Tlaquepaque, Jalisco | Mexico  
Tel: (52) 333-133-6767  
Tel: (52) 333-133-6769  
Fax: (52) 333-133-6768