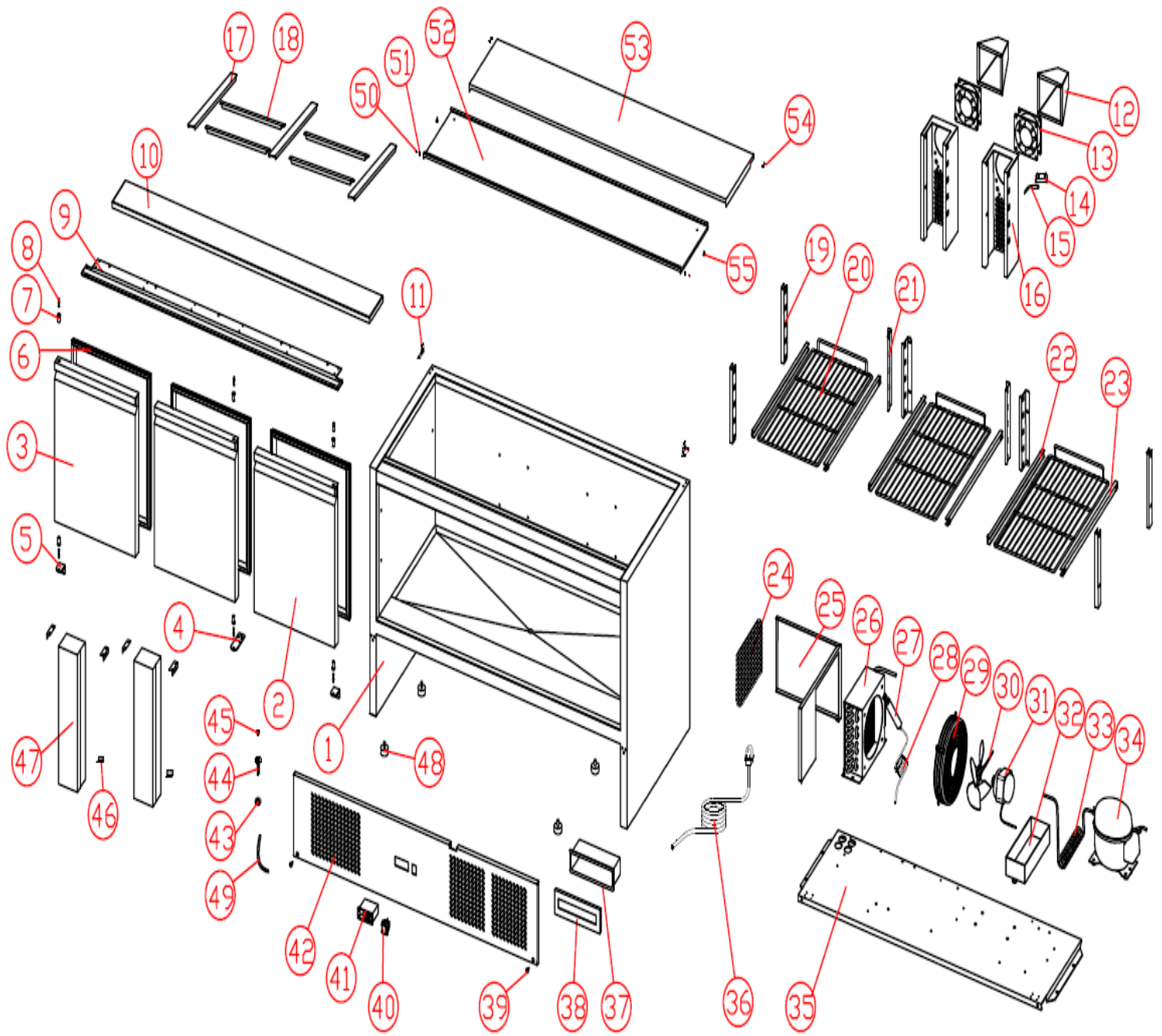


# KXCC3PREP

Exploded parts diagram







Part Number	Number	Name	Qty
***	1	Cabinet	1
X1-DOOR02	2	Door (right) *Please check cabinet Mark*	2
X1-DOOR05	3	Door (left) *Please check cabinet Mark*	1
K8-HINGE08	4	Bottom Middle Hinge	1
K8-HINGE05	5	Bottom Hinge	2
K8-GASKET04	6	Door Gasket	3
K8-AXISSLEEVE	7	Bush	6
K8-HINGEPIN01	8	Hinge Pin	6
K8-HINGE07	9	Upper Hinge Plate	1
***	10	Cutting Board	1
***	11	Top Fixing Brackets	2
***	12	Air Guide Cover	2
X1-FAN03	13	Evap Fan	2
***	14	Probe Cover	1
K8-PROBE01	15	Probe	1
***	16	Fan Base	2
K8-SPACER02	17	Long Spacer Bar	3
K8-SPACER03	18	Medium Spacer Bar	4
***	19	Ladder Rack (left)	3
K8-SHELF04	20	Shelf	3
***	21	Ladder Rack (Right)	3
K8-GUIDE04	22	Left Shelf Guide	3
K8-GUIDE05	23	Right Shelf Guide	3
***	24	Filter	1
***	25	Air Deflector	1
K8-COND02	26	Condenser	1
***	27	Drier	1
X1-CAPILLARY03	28	Capillary	1
***	29	Cond Fan Guard	1
K8-BLADE01	30	Cond Fan Blade	1
K8-FAN01	31	Cond Fan Motor	1
K8-PAN01	32	Vaporising Tray	1
***	33	Vaporising Coil	1
X1-COMP05	34	Compressor	1
***	35	Cooling Unit Board	1
***	36	Power Cord	1
***	37	plastic water-proof box	1
***	38	Plastic Water-proof Box Cover	1
***	39	Panel Gromit	4
X1-SWITCH01	40	Power Switch	1
X1-CONTROLLER04	41	Controller	1
***	42	Panel	1
K8-DRAIN01	43	Drain Pipe Nut	1

K8-DRAIN02	44	Drain Spigot	1
K8-PLUG	45	Drain Plug	1
***	46	Mullion Connector	6
***	47	Mullion	2
***	48	Feet	4
K8-DRAIN03	49	PVC Drain Pipe	1
***	50	Roller Draft	2
***	51	Roller	2
***	52	Sliding Lid	1
***	53	Fixed Cover	2
K8-COVERAXIS	54	Cover Axis	2
***	55	Gromit	1

\*\*\* Please contact Spares for assistance \*\*\*