


Instruction

Installing the coin box

WE170PP, WE170VP



*Read the instruction in full
before starting work.
If anything is unclear or
incorrect, please contact
your local sales office or
service representative.*

1 Instruction for installing the coin box to WE170PP and WE170VP

Demount the rear cover on the coin box.

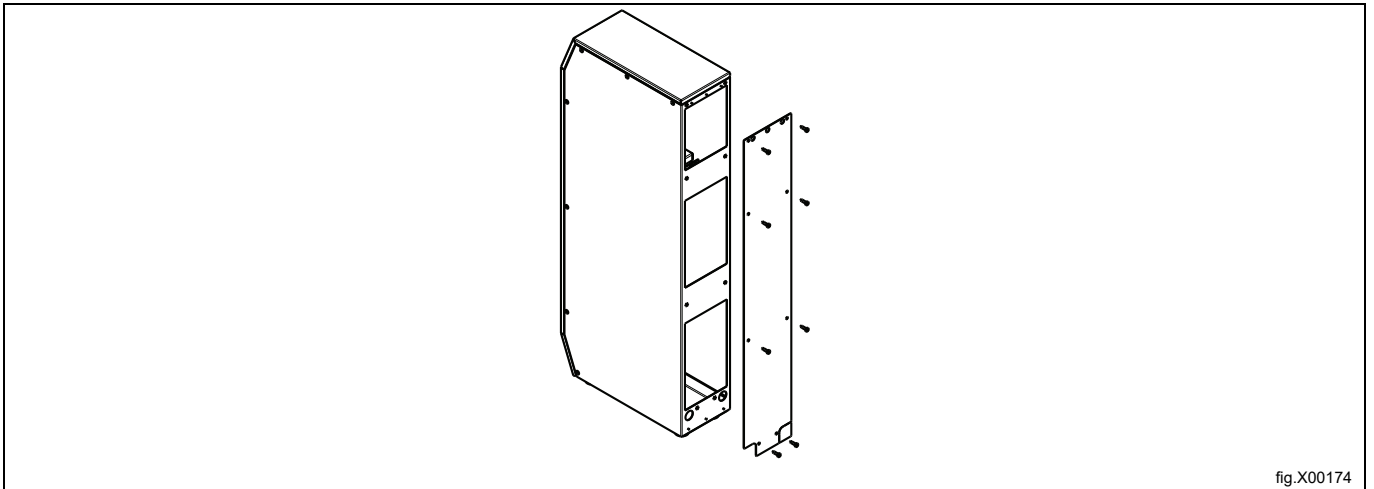


fig.X00174

The connection cable is at delivery inside of the coin box.

Note!

The connection cable is 3 m. Take this into consideration when positioning the coin box.

Insert and connect the cable on the board in the coin box at connection COIN. The connection on the cable is marked with COIN.

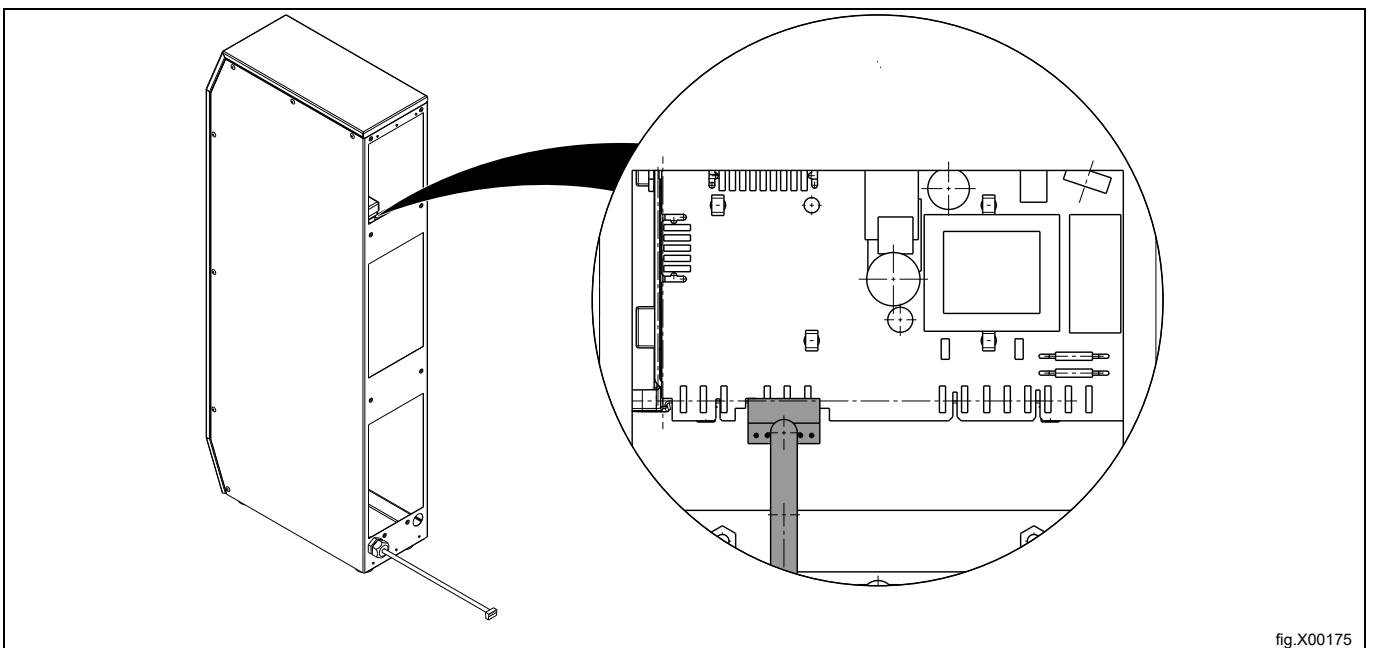
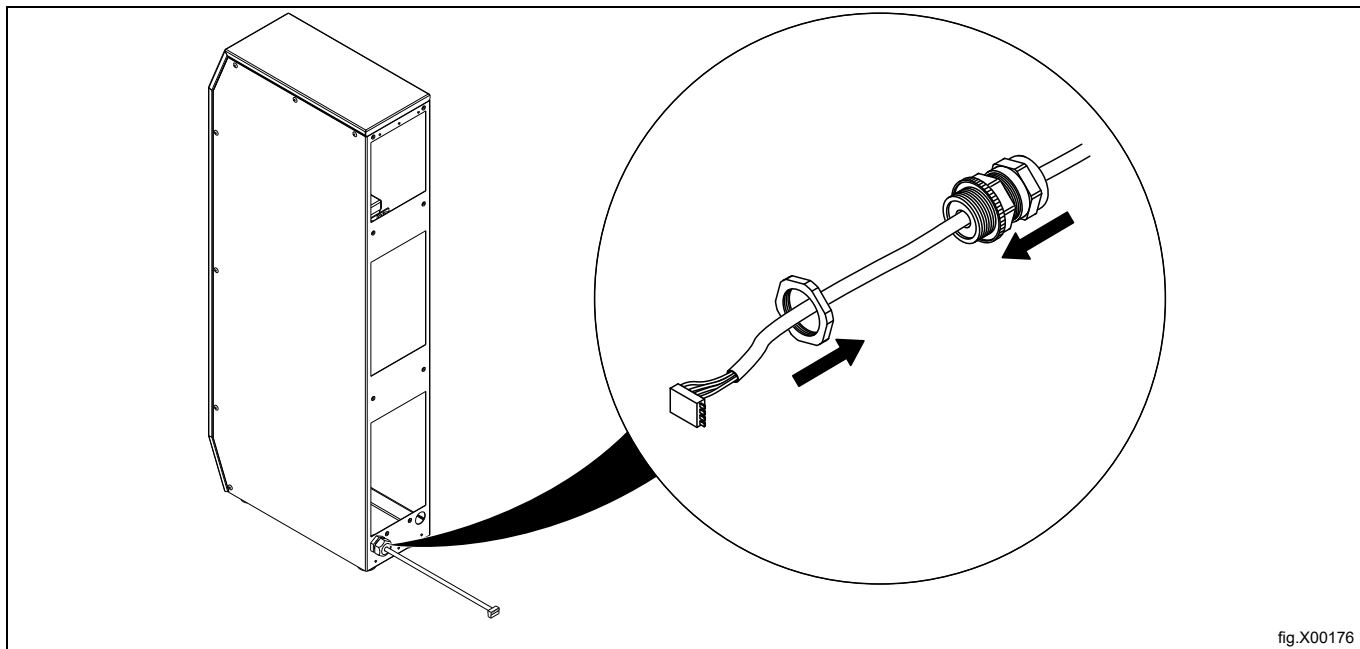


fig.X00175

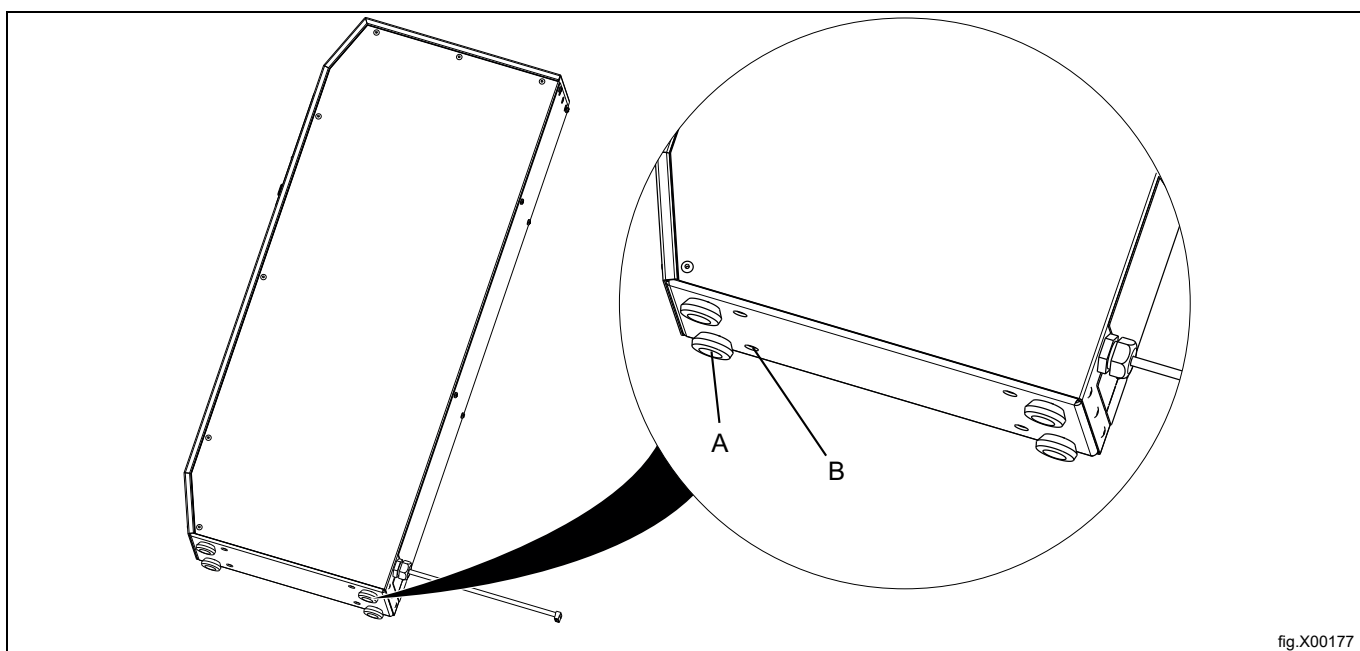
Fasten the cable with the counter nut and cable gland at the bottom of the coin box. There are two holes prepared, select one of them.

The other counter nut and cable gland shall be mounted to the machine.



Level the coin box by adjusting the feet (A).

The coin box shall be fastened to the floor/foundation. Fasten the coin box through two of the holes (B) (diagonally).



Remount the cover on the rear of the coin box.

Disconnect the power to the machine.
Demount the top panel.

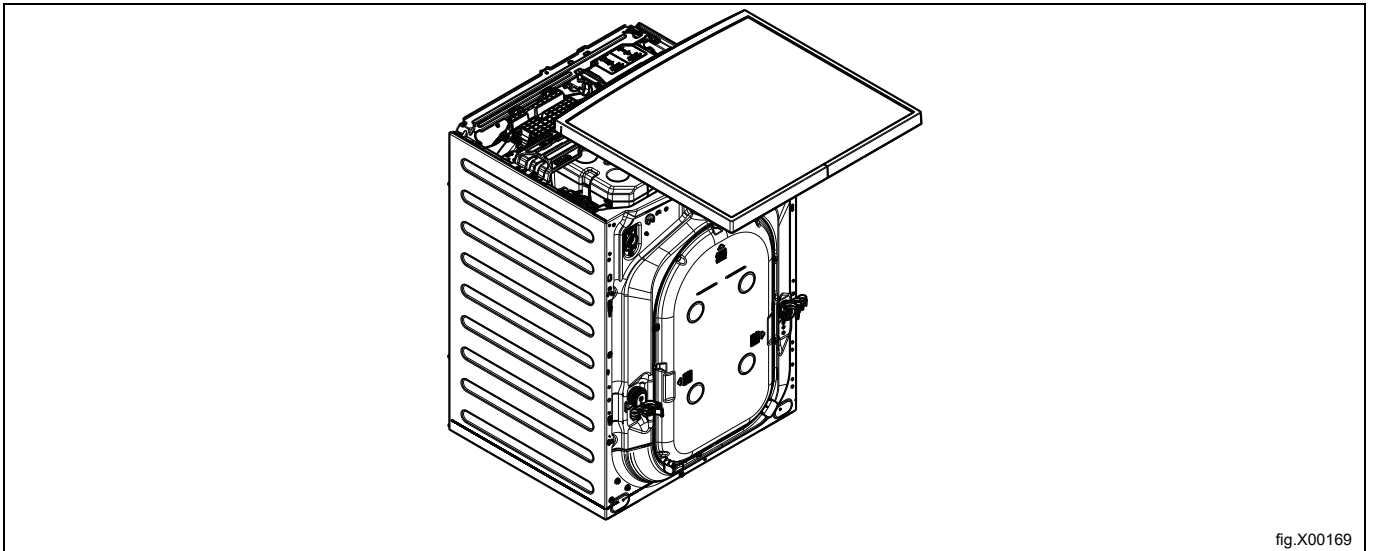


fig.X00169

Locate one of the holes that is prepared for the cable to the coin box on the back of the machine. (One hole is used for the coin box and one hole is used for connection of external payment system).

Drill a 20–21 \varnothing mm hole at one of the locations.

Insert the cable and mount with the counter nut and cable gland.

The cable shall be run through the machine to the “satelite board” on the front of the machine.

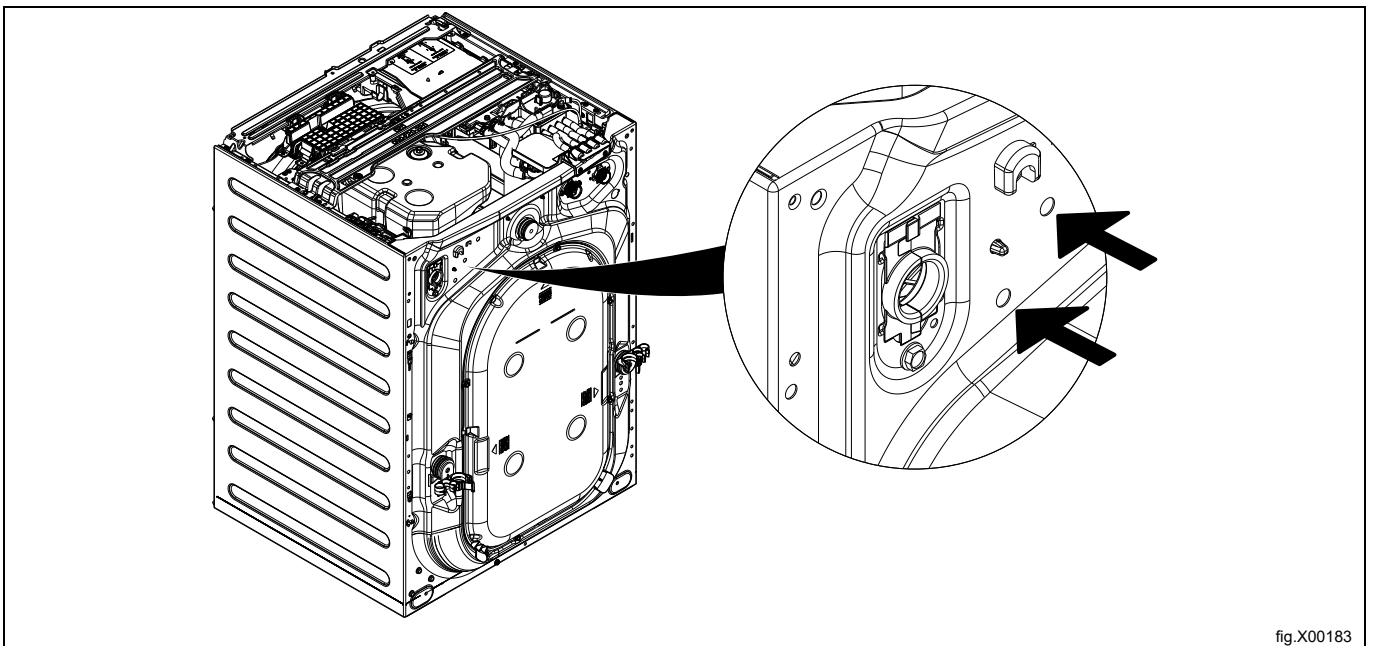
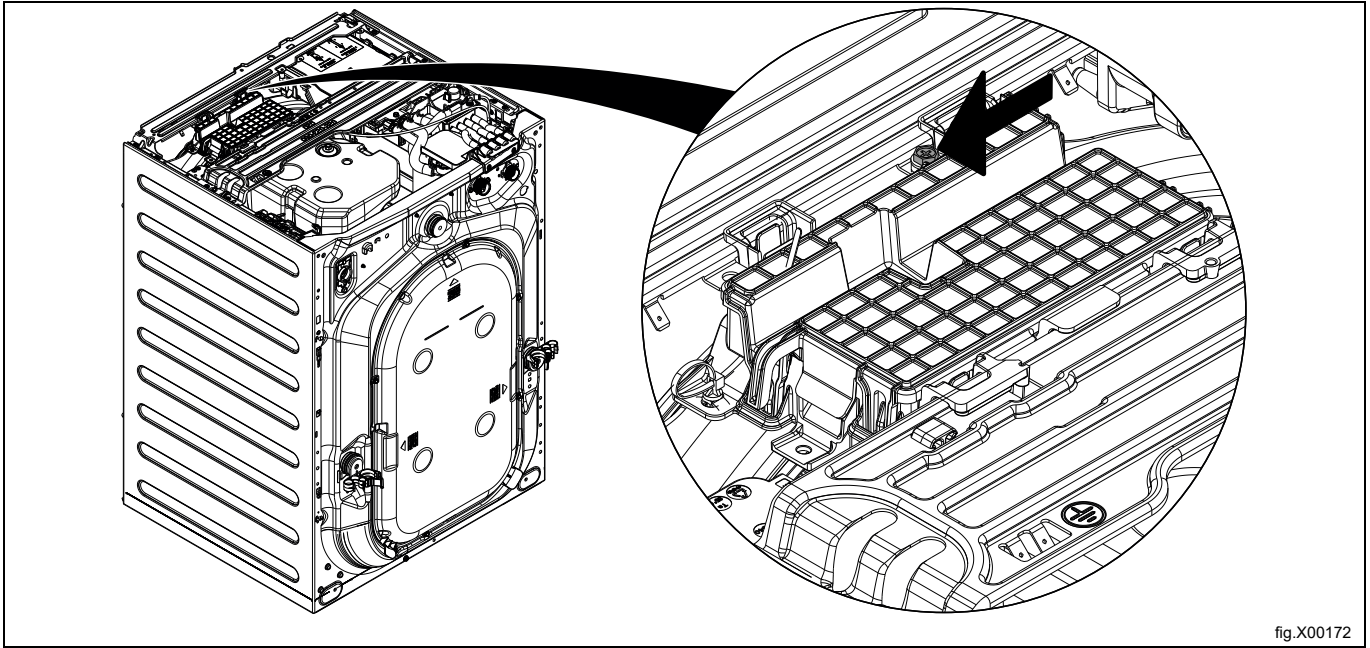
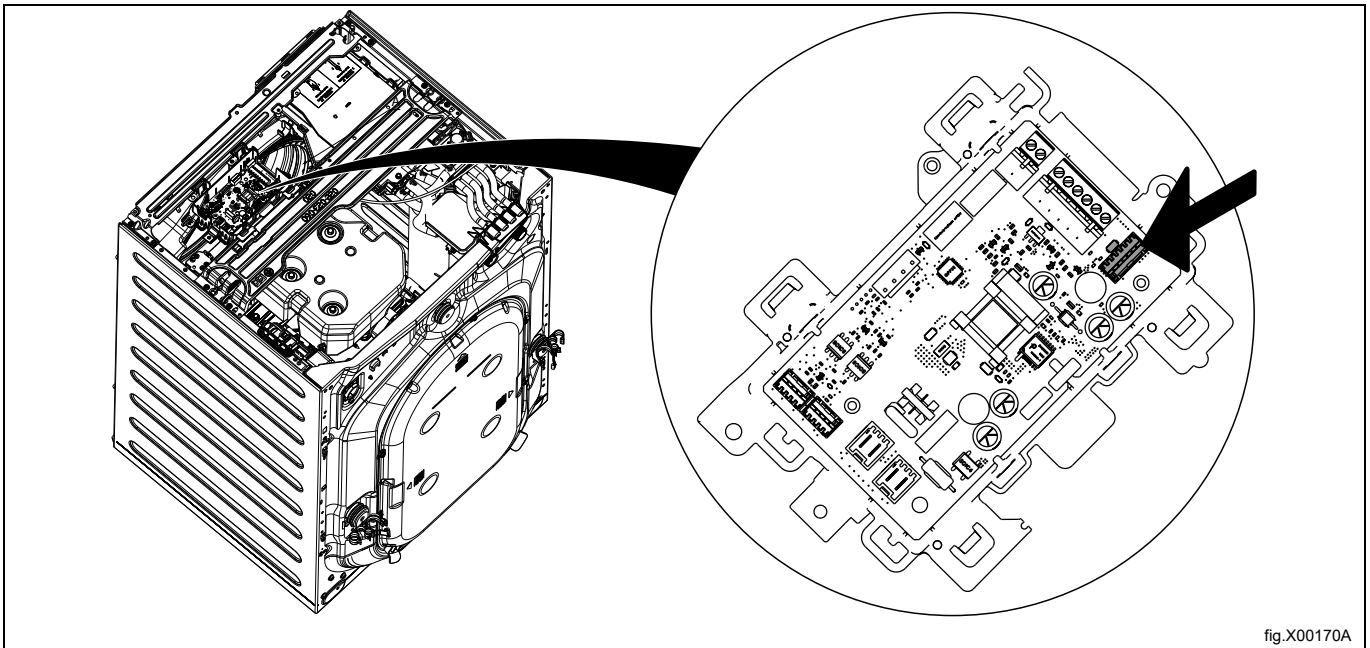


fig.X00183

Remove the screw and demount the lid to the "satellite board".



Connect the cable to connection J29. The connection on the cable is marked with J29.



The cable shall be led out on the right side of the "satelite board".

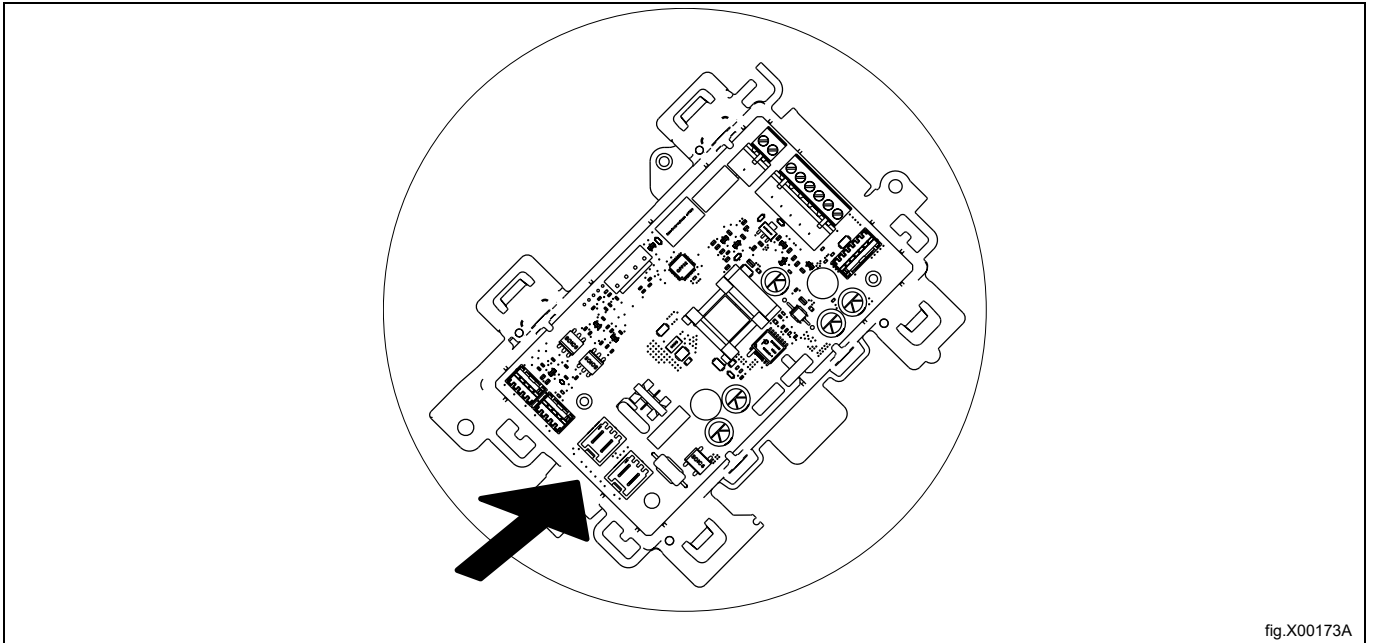


fig.X00173A

Note!
All jumpers on J30 and J31 must be removed.

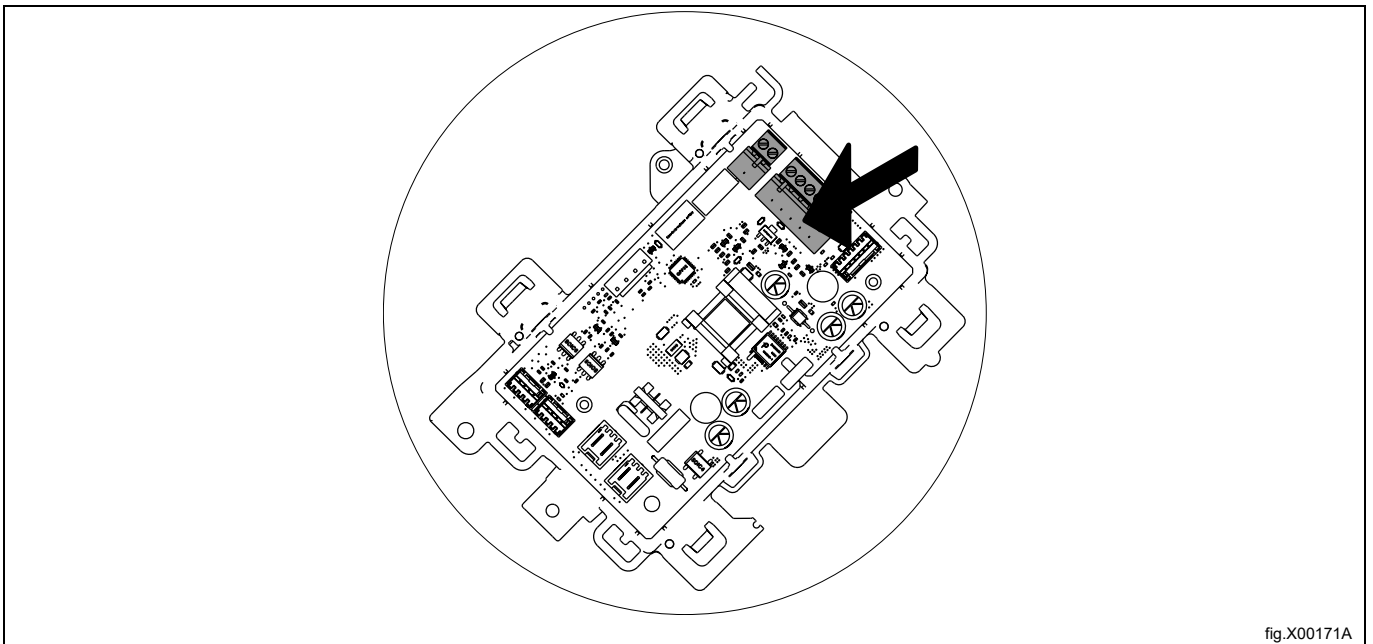


fig.X00171A

Strap the cable at suitable positions. The cable must not be in contact with any moving parts.
Remount the lid to the "satelite board".
Remount the top panel.

1.1 Programming the machine

When the coin box has been installed; connect the power to the machine and switch on the machine.
Remove the drawer on the front of the coin box.

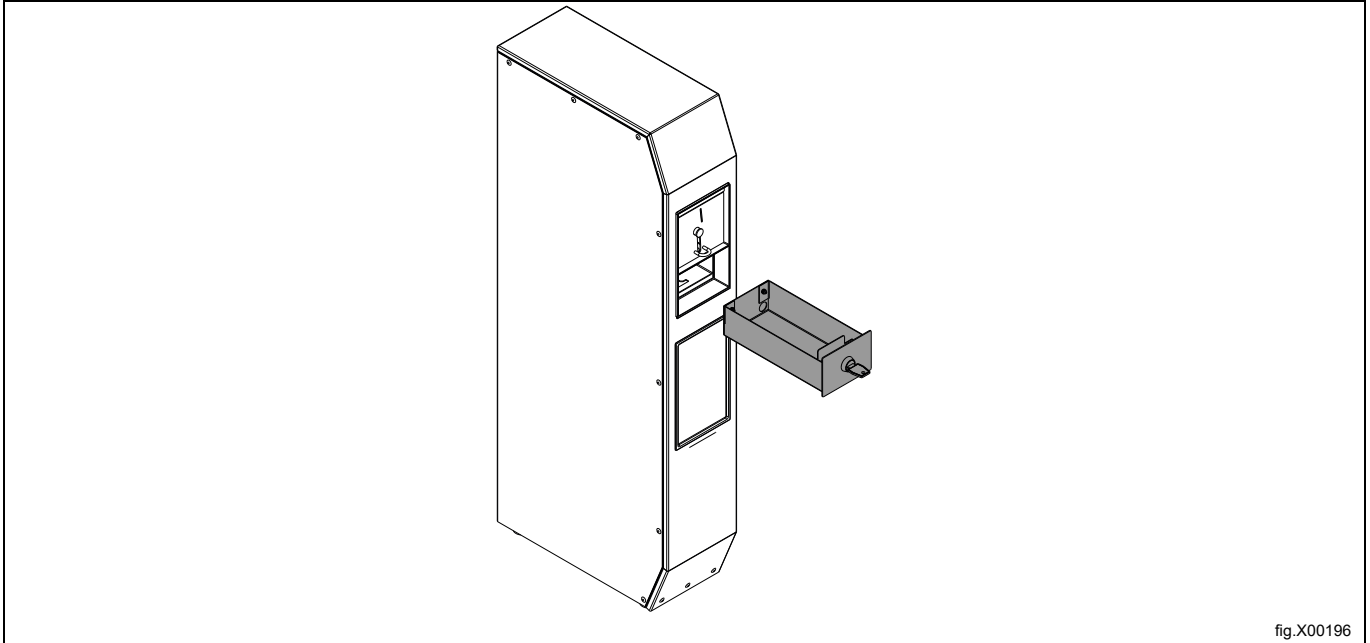


fig.X00196

Press the price programming button that is located on the right behind where the drawer was.

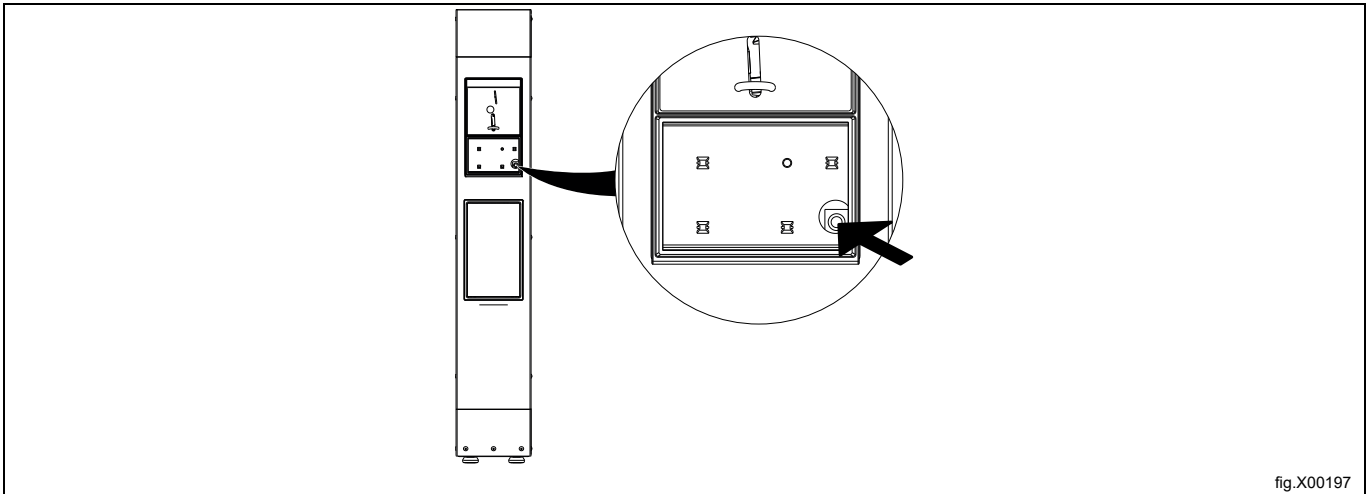


fig.X00197

When the button has been pressed the display on the machine switches to the following view:

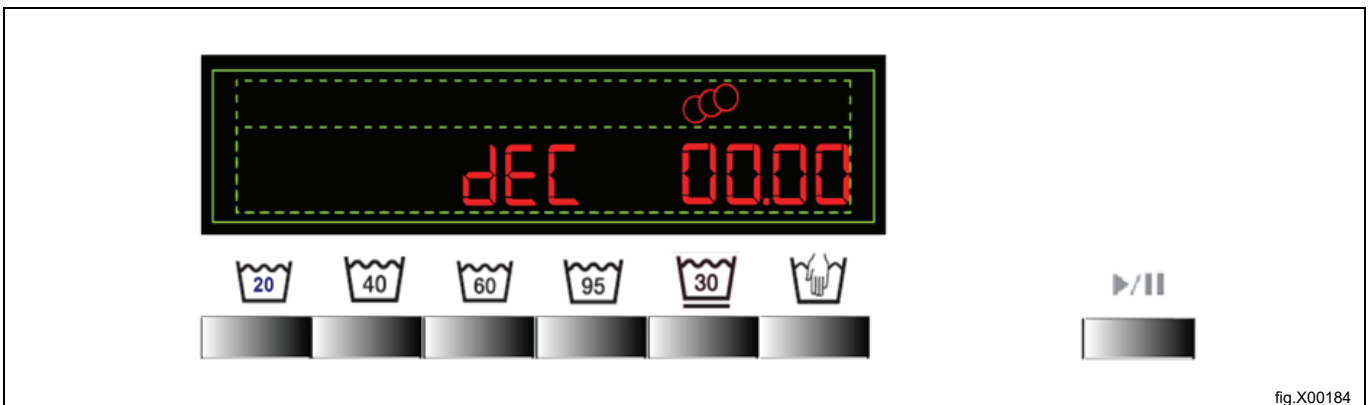


fig.X00184

Select if the price shall be displayed with a decimal or not.
 Press the first button to the left to select or deselect the decimal.
 Save your selection by pressing the start/paus button to the right.
 The next menu is automatically displayed when saving through the complete programming.



fig.X00185

Set the value of coin 1 (C1). Decrease the value with the first button to the left and increase the value with the second button to the left.

Note!

The value must be over zero. C1 are for coin.

Save the value by pressing the start/paus button.

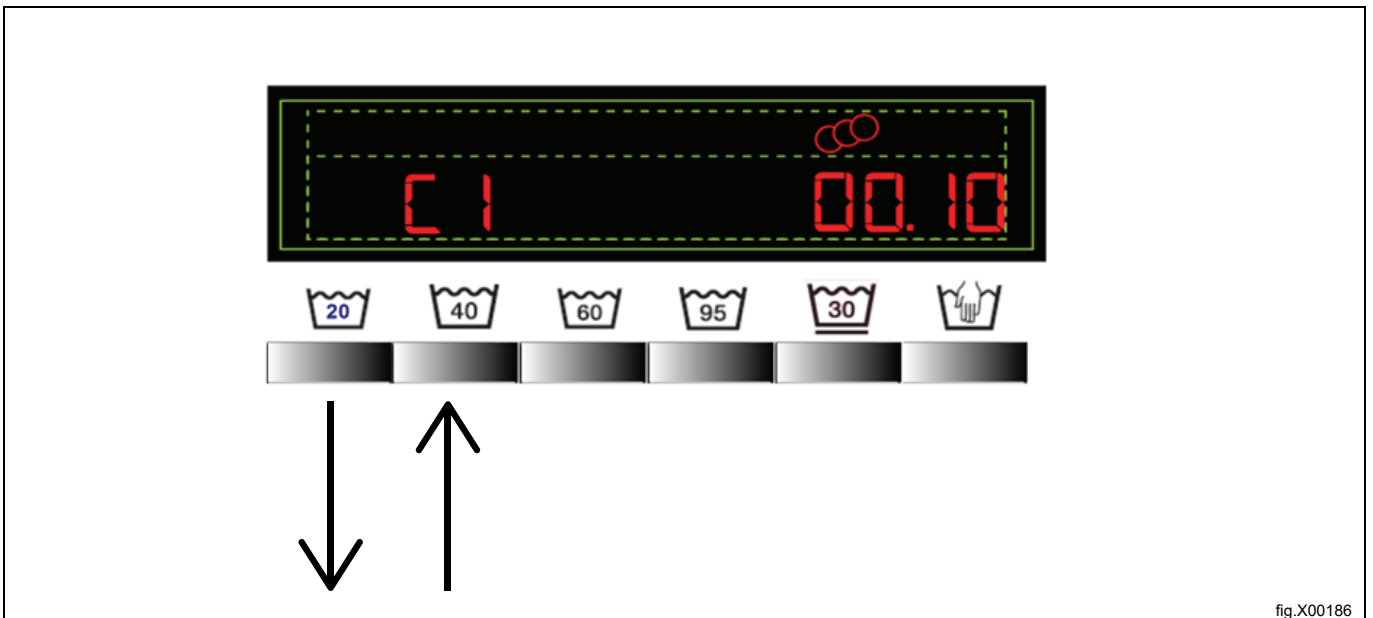


fig.X00186

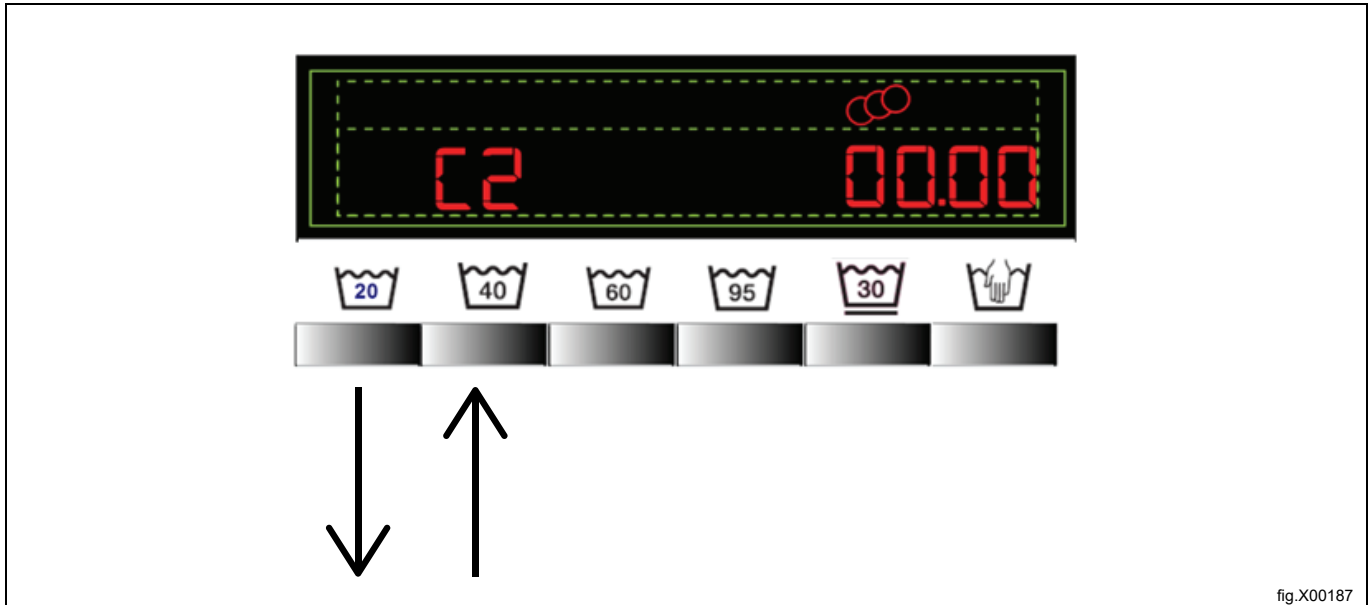
Instruction

Set the value of coin 2 (C2). Decrease the value with the first button to the left and increase the value with the second button to the left.

Note!

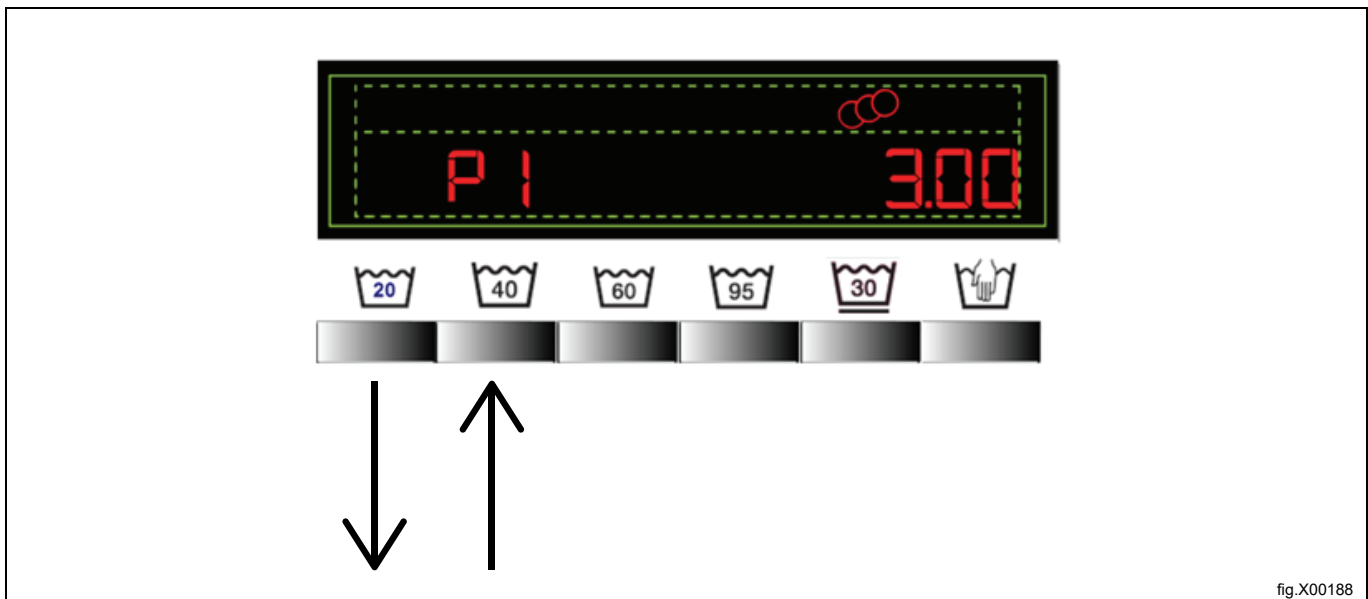
The value must be over zero if tokens are to be accepted.

Save the value by pressing the start/paus button.



Set the price for the programs 1–6. The price for program 1 is set first followed by program 2, 3 etc.

Decrease the value with the first button to the left and increase the value with the second button to the left.



When the last program has been programmed and saved the display switches to the following view:

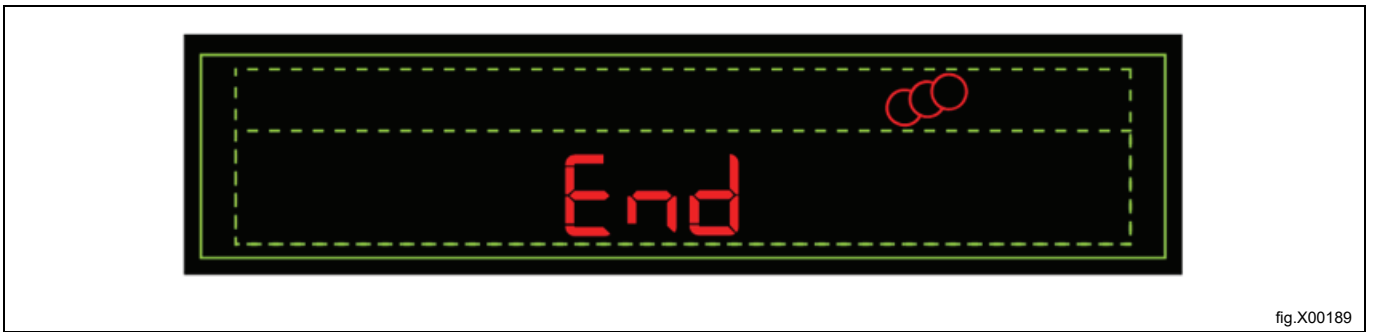


fig.X00189

Note!

The menu will go back to normal status if the programming is inactive for 15 seconds. You can also go back to normal status by pressing any other button or if the machine is switched off and on again. To return to the programming menu; press the price programming button again.

1.2 Programming the coin meter

To reach the microswitches, the coin meter must be demounted from the coin box.

Demount the rear cover on the coin box.

Demount the coin meter by removing the nuts from the back of the coin box and remove the coin meter from the front of the coin meter.

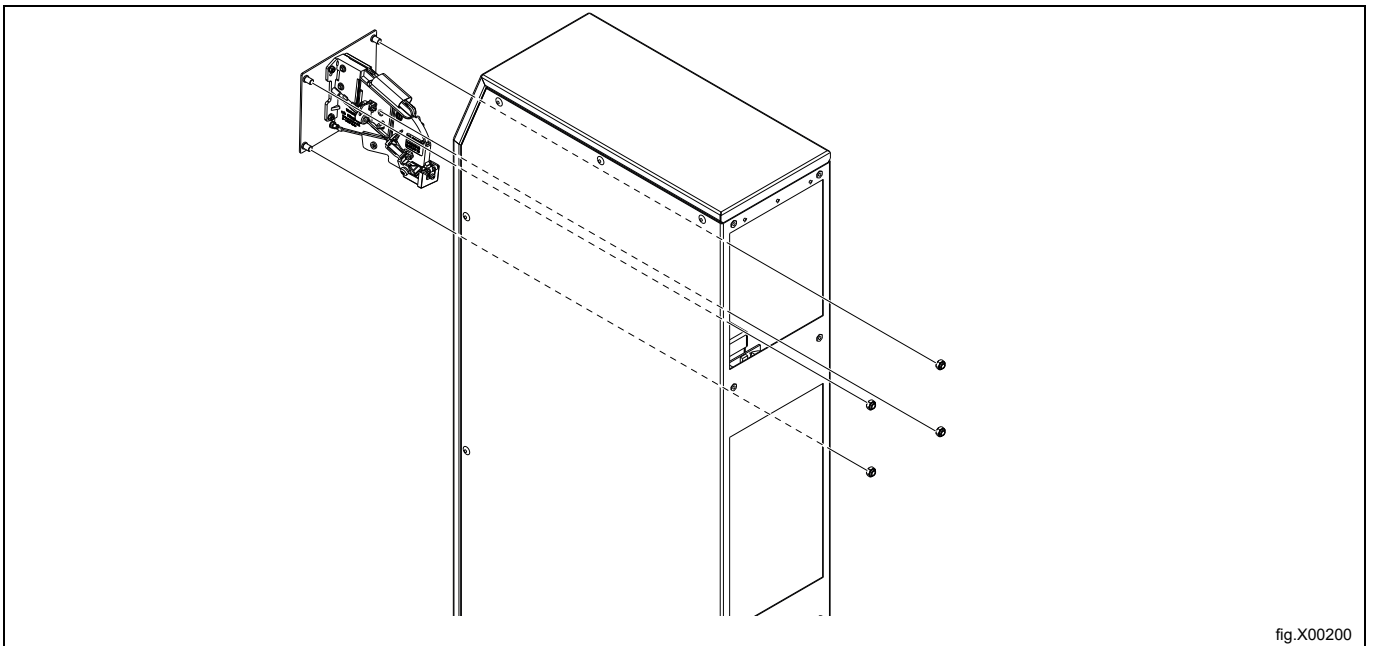


fig.X00200

The microswitches (C) are located at the left side of the coin meter.

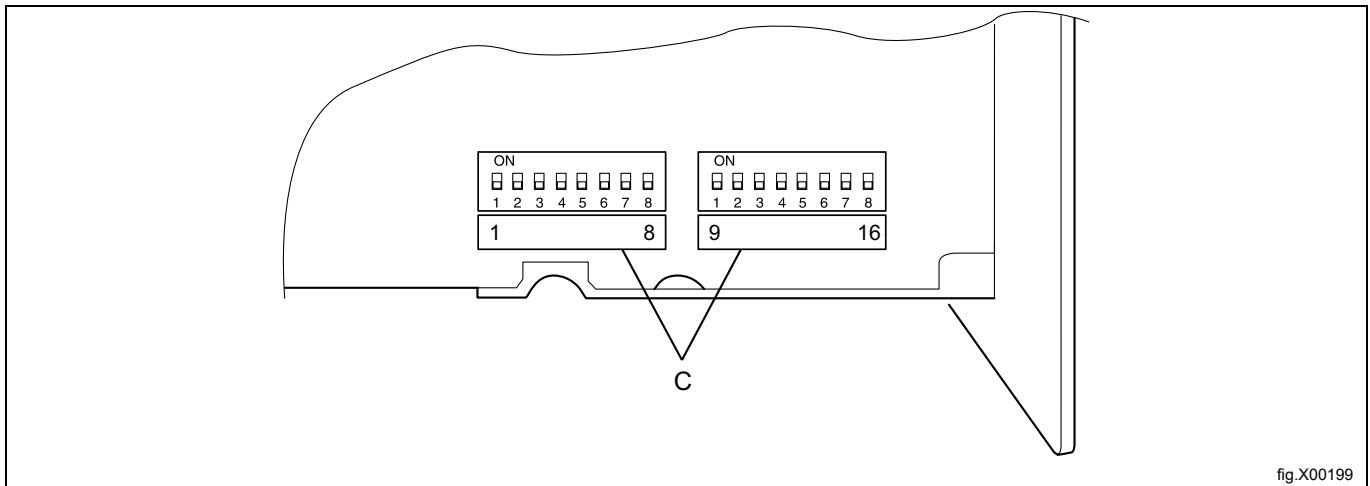


fig.X00199

Program the coin meter by setting the microswitches according to the following table.

Note!

Set the microswitches to the currencies that ARE to be used in lower position (D).

The microswitches to the currencies that are NOT to be used shall be set to ON (upper position = E).

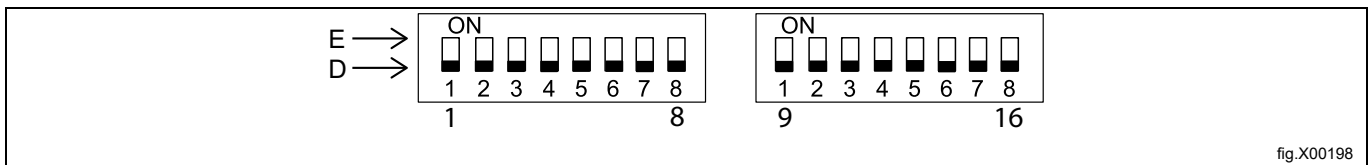


fig.X00198

Coin meter	Currency	Individual coins	The whole currency
		Microswith position	Microswith position
438894201	0,10 EUR	2	11
	0,20 EUR	3	11
	0,50 EUR	5	11
	1 EUR	7	11
	2 EUR	10	11
	1GBP 2017	7	12
	0,1GBP	2	13
	0,2GBP	3	12
	0,5GBP	5	12
	1GBP	7	14
	2GBP	10	12
	0,1GBP 2010	2	12
	Token WA 4		15
	TK16		16
438894202	50 JPY	2	14
	100JPY	4	14
	500 JPY new	6	14
	Token WA 4		15
	TK16		16
	1,00 AUD	7	13
	2,00 AUD	9	13
	0,50 NZD	10	13
	1,00 NZD	11	13
	2,00 NZD	12	13
438894203	2 THB	2	10
	2 THB new	4	10
	5 THB	6	10
	10 THB	9	10
	0,10 MYR	2	11
	0,20 MYR	4	11
	0,50 MYR	6	11
	0,10 MYR new	2	12
	0,20 MYR new	4	12
	0,50 MYR new	6	12
	0,5 SGD	2	13
	1 SGD	4	13
	0,5 SGD new	2	14
	1 SGD new	4	14
	Token WA 4		15
TK16		16	
438894204	0,10 EUR	2	13
	0,20 EUR	3	13
	0,50 EUR	5	13
	1 EUR	7	13
	2 EUR	10	13
	0,5CHF	2	14
	1CHF	4	14
	2CHF	6	14
	Token WA 4		15
	TK16		16

Instruction

438894205	0,50 EUR	2	10
	1,00 EUR	4	10
	2,00 EUR	6	10
	5,00 SEK 2016	2	11
	10,00 SEK	4	11
	5,00 DKK	2	12
	10,00 DKK	4	12
	5,00 NOK	2	13
	10,00 NOK	4	13
	50,00 ISK	2	14
	100,00 ISK	4	14
	Token WA 4		15
	TK16		16
438894206	1 PLN	1	7
	2 PLN	3	7
	5 PLN	5	7
	1 HRK	1	10
	2 HRK	3	10
	5 HRK	5	10
	100 HUF	1	11
	200 HUF	3	11
	0,2 EUR	1	12
	0,5 EUR	3	12
	1 EUR	5	12
	2 EUR	7	12
	Token WA 4		15
	TK16		16
438894207	10CZK	2	7
	20CZK	4	7
	50CZK	6	7
	Token WA 4		15
	TK16		16



Electrolux Professional AB
341 80 Ljungby, Sweden
www.electroluxprofessional.com