



GG1P - Lynx 400 Electric Counter-top Heavy Duty Panini Grill - Smooth Upper & Lower Plates - W 395 mm - 3.0 kW

Designed to seal in the juices, the quick-heating 3kW Lynx 400 Panini Grill produces mouthwatering results every time, whether you're making toasted sandwiches or grilling succulent meats.

- ✔ Heavy duty, higher powered griddle
- ✔ Ribbed plates for attractive branding marks
- ✔ Higher capacity for increased output in busy periods
- ✔ Ideal for front of house use
- ✔ Great for sealing in juices and flavour for succulent results - and minimal shrinkage
- ✔ Cast aluminium plates give an even heat distribution
- ✔ Non stick coated plates for easy cleaning
- ✔ Plug and play for an easy installation

Specifications

Summary		Power and Performance	
Range Name	Lynx 400	Total Power kW	3.0
Power Type	Electric	IP Rating	IP23
Unit Type	Counter-top	Cooking Area (Width x Depth) mm	358 x 258
Available in UK Only	No	Temperature Control	Mechanical
UK Warranty	2 Years Parts and Labour Warranty		
Export Warranty	Contact your local dealer		
GTIN Code	5056105101178		

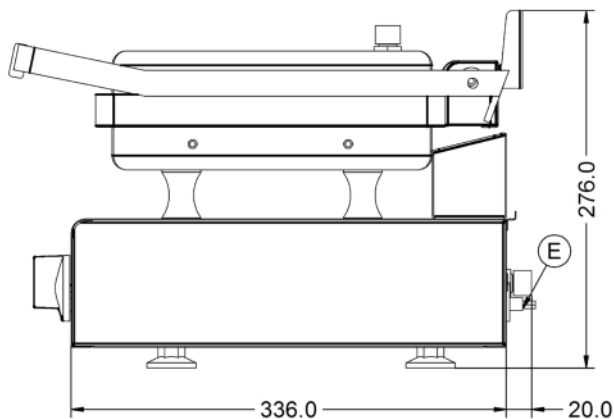
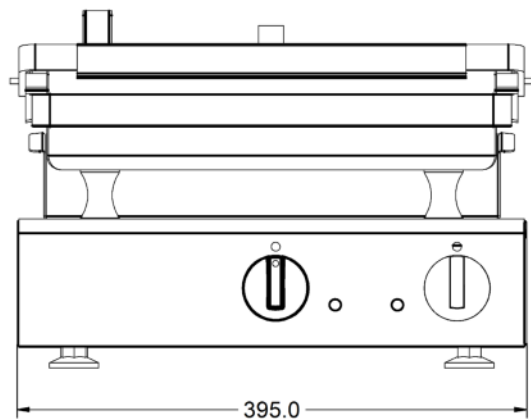
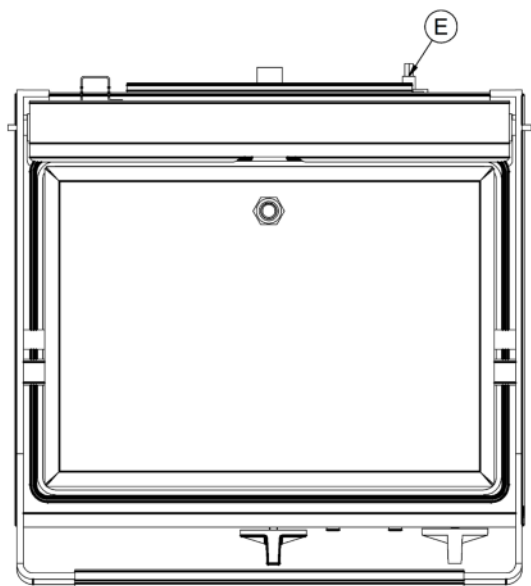
Key Specifications		Weights and Dimensions	
Top Grill Plate Surface Type	Ribbed	Unit Height (External) mm	276
Grill Plate Surface Type	Ribbed	Unit Width (External) mm	395
Grill Plate Material	Aluminium	Unit Depth (External) mm	356
		Net Weight Kg	23.1

Supply Connections		Shipping	
Requires Installation	No	Packed Weight Kg	25.4
Requires Electrical Supply	Yes	Packed Height cm	42
UK 3 Pin Plug	Yes	Packed Width cm	48.5
Requires Hardwiring	No	Packed Depth cm	48.5
Electrical Supply Rating Watts	3,000		
Single Phase Amps	13.0		
Single Phase Voltage	230		

Available Accessories

SS1 SANDWICH SPACER - FOR GG1

Technical Picture



Lincat Limited

Whisby Road,
Lincoln, LN6 3QZ,
United Kingdom

Company No: 2175448

A member company of



Customer Care

Tel: +44 1522 875500
Email: care@lincat.co.uk

Export Customers

Tel: +44 1522 503250
Email: export@lincat.co.uk

Opening Hours

Monday – Friday:
8.30am – 5pm