

Glass Door Under Counter Refrigerators

HG200WH

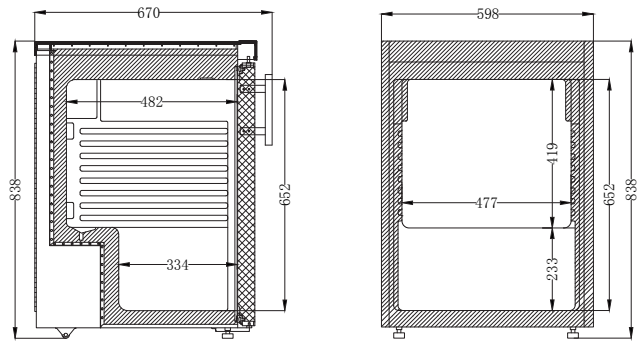


HG200SS



Dixell Blue Line Controller

The Dixell Blue Line controller is a new generation of thermostats based on an innovative algorithm granting higher respect for the environment. It has been programmed with algorithms to reduce the amount of starts the compressor needs to make in relation to its usage. Most electrical energy is used on a refrigerated cabinet when a compressor starts. Therefore energy use will be reduced by cutting the number of starts. This does not affect the storage temperature of the product. It also helps extend the life of compressors.



FEATURES

- Foodsafe ABS Interior
- Aluminium door frame
- Reversible door
- Internal LED illumination
- Lock fitted as standard
- 2 adjustable white shelves, shelf size 500 (W) x 415 (D) mm
- Replaceable door gasket

TECHNICAL SPECIFICATIONS

- Controller: Dixell Blue Line controller
- Cooling: Fan assisted
- Defrost: Automatic
- Refrigerant: R600a
- Climate Class: 4
- Temperature Range: +3°C ~ +8°C
- Power Supply: 13amp

MODEL	FINISH	GROSS CAPACITY	EXT. DIMENSIONS (H x W x D mm)	POWER CONSUMPTION	DECIBELS	WEIGHT (kg)	RRP
HG200WH	White laminated exterior	170L	838 x 598 x 670*	130W	40dBA	49	£587.00
HG200SS	Stainless steel exterior with white top	170L	838 x 598 x 670*	130W	40dBA	50	£713.00

* includes handle

