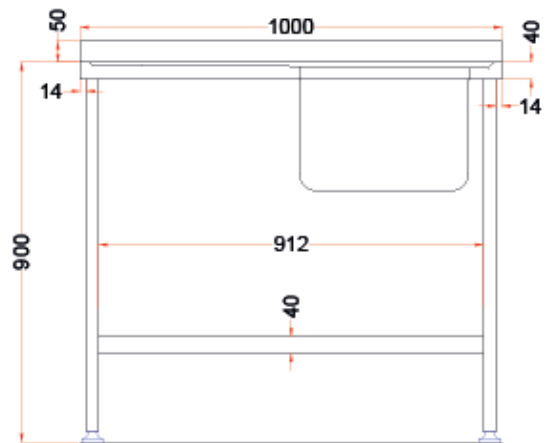
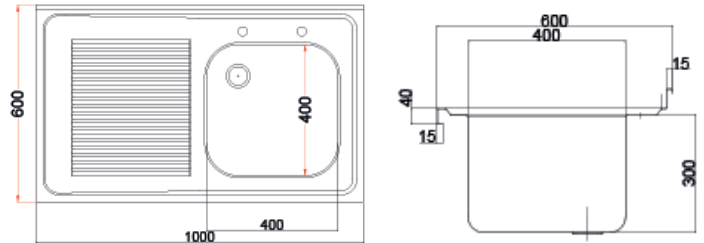




# STAINLESS STEEL SINK - DR359 FLATPACK

## DIMENSIONS



This stainless steel sink from Holmes has a right side bowl and left side drainer, with a width of 1000mm. The flat packed sink is made with 304 stainless steel, which is easy to clean whilst offering high resistance to corrosion and staining making it perfect for use in commercial kitchens. The sink allows you to create practical and hygienic washing areas in your kitchens, and features a strong undershelf for extra storage.

## TECHNICAL DATA

Unpacked height (mm)	900 + 50 upstand
Unpacked width (mm)	1000
Unpacked depth (mm)	600
Weight (kg)	11.5
Material top	SAE grade 304; EN 1.4301, X5CrNi18-10
Material sub-top	SAE grade 430; EN 1.4016, X6Cr17
Surface finish	Satin
Type of Mounting	Floor
Feet	Adjustable

Property of Holmes