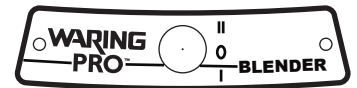
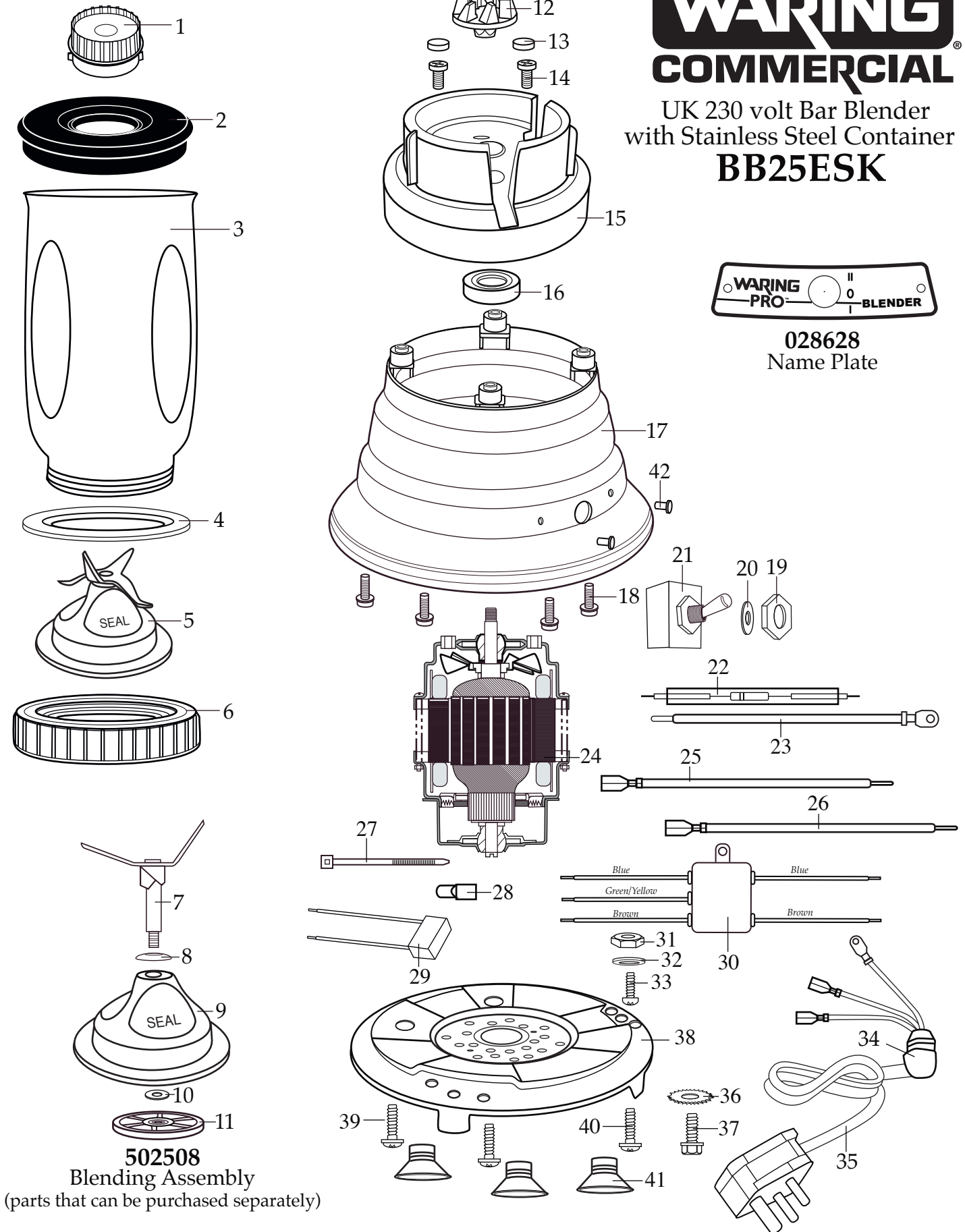


# WARING COMMERCIAL®

UK 230 volt Bar Blender  
with Stainless Steel Container  
**BB25ESK**



**028628**  
Name Plate



**502508**  
Blending Assembly  
(parts that can be purchased separately)



Illustration#	Part#	Description
1	011700	Jar Lid Cover
2	013443	Black Outer Lid
3	024661	32 oz. Stainless Steel Container
4	006890	Gasket
5	502508	Blending Assembly
6	015388-09	Black Jar Bottom
7	502507	Cutter & Shaft
8	017832	Bearing Cap
9	500122	Bearing Holder
10	006937	Washer
11	003138	Coupling
12	007509	Coupling
13	016094	Hole Plug (2 required)
14	013768	Screw (2 required)
15	017381-09-R	Black Jar Adapter
16	018605	Housing Seal
17	019608-09W	Black Wrinkle Base
18	024595	Screw & Washer (4 required)
19	016236	Nut Ring
20	014604	Washer
21	026537	Switch
22	502763	Resistor Assembly
23	501400	Green-Yellow Lead
24	026535	Motor
25	502838	White Lead Assembly
26	502753	Brown Lead Assembly
27	013731	Cable Tie (10 required)
28	012409	Small Crimp Connector (3 required)
	019123	Large Crimp Connector (2 required)
29	026666	EMI Capacitor
30	502752	EMI Filter
31	002944	Hex Nut
32	002943	Washer

Illustration#	Part#	Description
33	013659	Screw
34	013680	Strain Relief
35	502571	Cord Set
36	002943	Lock Washer (3 required)
37	027278	Ground Screw (2 required)
38	024055-R 502842	Bottom Plate ONLY Bottom Plate with Cord Set Assembly
39	018477	Special Screw
40	013659	Screw (2 required)
41	026278	Suction Cup Foot (3 required)
42	003532	Rivet (2 required)

