



C6H/100S - Seal 650  
Series Counter-top  
Curved Front Heated  
Merchandiser - Self-  
Service - W 1000 mm -  
2.02 kW

Keep hot meats, pasties, pies and other foods at the perfect temperature with the Seal 650 Range Curved Front Heated Merchandiser.

- ✓ Elegant curved design with extruded aluminium frames and metallic silver finish enhances display without detracting from the contents
- ✓ Precise thermostatic control up to 95°C with digital display of cabinet temperature ensures food is maintained at a safe temperature
- ✓ Minimum food holding temperature of 72°C
- ✓ Humidity feature prevents food drying out - food stays in optimum condition for longer, reducing waste
- ✓ All-round visibility to maximise food sales potential
- ✓ Daylight-balanced illumination to enhance display of contents with easy change clip-in fluorescent light tubes

**Specifications**

**Summary**

|                             |                                   |
|-----------------------------|-----------------------------------|
| <b>Range Name</b>           | Seal                              |
| <b>Power Type</b>           | Electric                          |
| <b>Unit Type</b>            | Counter-top                       |
| <b>Available in UK Only</b> | No                                |
| <b>UK Warranty</b>          | 2 Years Parts and Labour Warranty |
| <b>Export Warranty</b>      | Contact your local dealer         |
| <b>GTIN Code</b>            | 5056105103844                     |

**Power and Performance**

|                             |            |
|-----------------------------|------------|
| <b>Total Power kW</b>       | 2.02       |
| <b>Temperature Range °C</b> | 72 - 95    |
| <b>IP Rating</b>            | IP33       |
| <b>Temperature Control</b>  | Electronic |

**Key Specifications**

|                                   |              |
|-----------------------------------|--------------|
| <b>Number of Shelves included</b> | 3            |
| <b>Number of Shelf Positions</b>  | 3            |
| <b>Service Type</b>               | Self service |
| <b>Rack Type</b>                  | Static       |
| <b>Type of Lighting</b>           | Fluorescent  |
| <b>Heated Base</b>                | Yes          |

**Weights and Dimensions**

|                                  |      |
|----------------------------------|------|
| <b>Unit Height (External) mm</b> | 755  |
| <b>Unit Width (External) mm</b>  | 1000 |
| <b>Unit Depth (External) mm</b>  | 650  |
| <b>Shelf Dimensions Width mm</b> | 900  |
| <b>Shelf Dimensions Depth mm</b> | 525  |
| <b>Net Weight Kg</b>             | 67   |

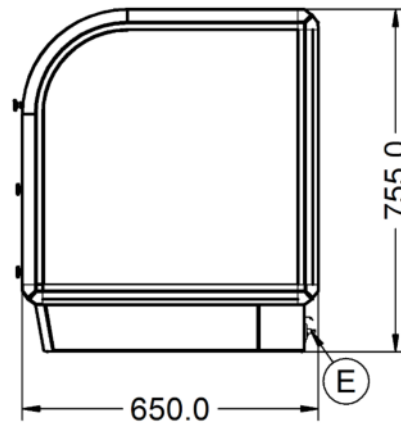
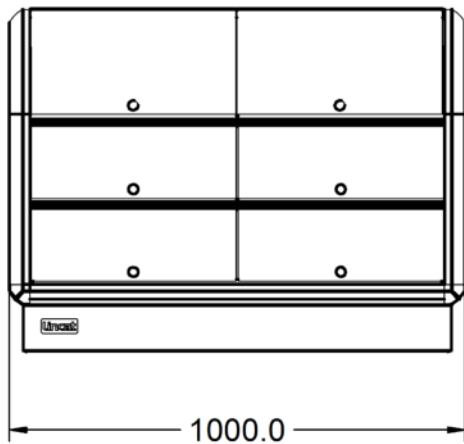
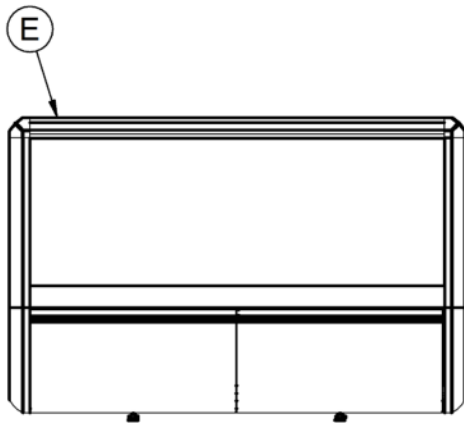
**Supply Connections**

|                                       |       |
|---------------------------------------|-------|
| <b>Requires Installation</b>          | No    |
| <b>UK 3 Pin Plug</b>                  | Yes   |
| <b>Requires Hardwiring</b>            | No    |
| <b>Electrical Supply Rating Watts</b> | 2,020 |
| <b>Single Phase Amps</b>              | 8.7   |
| <b>Single Phase Voltage</b>           | 230   |

**Shipping**

|                         |      |
|-------------------------|------|
| <b>Packed Weight Kg</b> | 81.8 |
| <b>Packed Height cm</b> | 90   |
| <b>Packed Width cm</b>  | 115  |
| <b>Packed Depth cm</b>  | 75   |

**Technical Picture**



**Lincat Limited**

Whisby Road,  
Lincoln, LN6 3QZ,  
United Kingdom

**Company No:** 2175448

A member company of



**Customer Care**

**Tel:** +44 1522 875500  
**Email:** care@lincat.co.uk

**Export Customers**

**Tel:** +44 1522 503250  
**Email:** export@lincat.co.uk

**Opening Hours**

**Monday – Friday:**  
8.30am – 5pm