

Hamilton Beach[®]

COMMERICAL

HMD300 Series Wall Mount Single-Spindle Drink Mixer

Saves
Counter
Space



with Wall-Mount Construction

Powerful 1/3 Hp Motor for Fast
and Efficient Mixing

Heavy-Duty, Die Cast
Stainless Steel Construction

Removable Cup Guide and Cup Rest

Comes with 99043600 Agitator

Wall-Mount Plate and Screws Included



For more Good Thinking[®] visit www.commercial.hamiltonbeach.com

Hamilton Beach COMMERCIAL



Two-Way Motor Activation

Operators can start and stop mixing action by inserting the cup into the cup guide, or by using the pulse switch on the top of the mixer.



Speed Switch

Offers flexibility for different menu items

Cup Guide

Easily removable for dishwasher safe cleanup



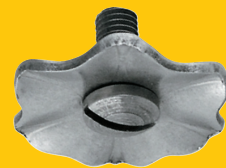
Easy Wall Mount

All hardware included. Plugs into standard outlet.



Powerful 1/3 Hp Motor

Built to last with permanently sealed ball bearings. Can be replaced by operator to avoid downtime.

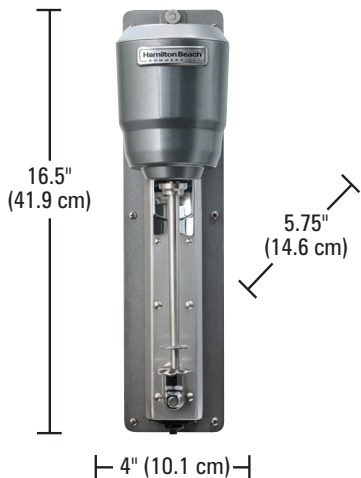


99043600 Agitator

Fast mixing while cup friendly

HMD300 SERIES WALL-MOUNTED SINGLE-SPINDLE DRINK MIXER

SPECIFICATIONS:



HMD300 Wall-Mount Spindle Mixer

Standard: unit comes with base, all mounting hardware, 99043600 agitator.
Electrical: 120V, 60 Hz, 250 Watts
Weight: 10.5 lbs / 4.76 kg (shipping)
Warranty: 1 year Parts & Labor



HMD300-CE Wall-Mount Spindle Mixer

Standard: unit comes with base, all mounting hardware, 99043600 agitator.
Electrical: 220-240V, 50-60 Hz, 250 Watts
Weight: 10.5 lbs / 4.76 kg (shipping)
Warranty: 1 year Parts & Labor

