

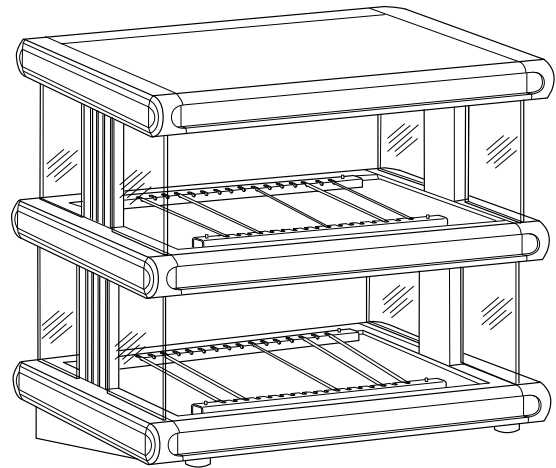
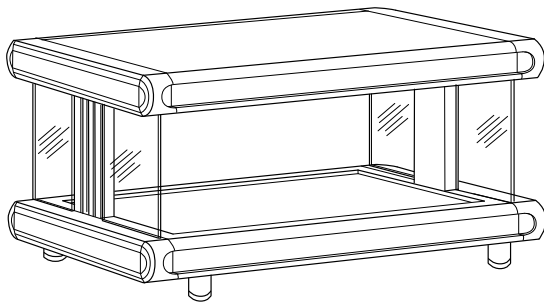


**GLO-RAY®**  
***Designer***  
**Merchandising Warmer**  
**GR2SDH & GR2SDS Series**

---

**Installation &  
Operating Manual**

I&W #07.05.078.00



This manual contains important safety information concerning the maintenance, use and operation of this product. Failure to follow the instructions contained in this manual may result in serious injury. If you're unable to understand the contents of this manual, please bring it to the attention of your supervisor. Do not operate this equipment unless you have read and understood the contents of this manual.

Este manual contiene importante información sobre seguridad concerniente al mantenimiento, uso y operación de este producto. Cualquier falla en el seguimiento de las instrucciones contenidas en este manual puede resultar en un serio daño. Si usted no puede entender el contenido de este manual por favor pregunte a su supervisor. No opere este equipo al menos que haya leído y comprendido el contenido de este manual.

# CONTENTS

<b>Important Owner Information</b> .....	i	<b>Maintenance</b> .....	14
<b>Introduction</b> .....	i	General.....	14
<b>Important Safety Information</b> .....	1	Cleaning .....	14
<b>Model Description</b> .....	3	Display Light Bulb Replacement.....	14
All Models.....	3	<b>Accessories</b> .....	15
GR2SDH Models.....	3	LED Temperature Control .....	15
GR2SDS Models.....	3	4" (102 mm) <i>Designer</i> Legs .....	15
<b>Model Designation</b> .....	4	Stainless Steel Divider Rods .....	15
<b>Specifications</b> .....	4	<i>Designer</i> Inset Color Panels .....	15
Plug Configurations.....	4	Breath Protector(s).....	15
Electrical Rating Chart .....	5	Flip-Up Door .....	16
Dimensions.....	9	Display Sign Holder.....	17
<b>Installation</b> .....	12	<b>Troubleshooting</b> .....	18
Unpacking .....	12	<b>Hatco Limited Warranty</b> .....	21
Location.....	12	<b>Authorized Parts Distributors</b> .....	Back Cover
<b>Operation</b> .....	13		

## IMPORTANT OWNER INFORMATION

Record the model number, serial number (located on the back of the unit), voltage and purchase date of your Glo-Ray® *Designer* Merchandising Warmer in the spaces below. Please have this information available when calling Hatco for service assistance.

Model No. \_\_\_\_\_

Serial No. \_\_\_\_\_

Voltage \_\_\_\_\_

Date of Purchase \_\_\_\_\_

Business Hours: 8:00 a.m. to 5:00 p.m.  
Central Standard Time

(Summer Hours: June to September –  
8:00 a.m. to 5:00 p.m. C.S.T.  
Monday through Thursday  
8:00 a.m. to 2:30 p.m. C.S.T. Friday)

Telephone: (800) 558-0607; (414) 671-6350

Fax: (800) 690-2966 (Parts & Service)  
(414) 671-3976 (International)



24-Hour 7-Day Parts & Service Assistance available in the United States and Canada by calling (800) 558-0607.

Additional information can be found by visiting our web site at [www.hatcocorp.com](http://www.hatcocorp.com)

## INTRODUCTION

The Hatco Glo-Ray *Designer* Merchandising Warmers, GR2SDH (Horizontal Shelf) and GR2SDS (Slant Shelf), are perfect for holding wrapped sandwiches or boxed pizza on a buffet line or at temporary serving areas. These warmers safely hold hot wrapped products and keep them at optimum serving temperatures without affecting quality. Prefocused infrared heat from above and a thermostatically controlled heated base extends the holding times of most wrapped food. The infrared heating elements are guaranteed against burnout and breakage for two years. These units also feature incandescent lights along with a cord and plug set.

This manual provides the installation, safety and operating instructions for the Glo-Ray *Designer* Merchandising Warmers. We recommend all installation, operating and safety instructions appearing in this manual be read prior to installation or operation of








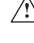

your Hatco *Designer* Merchandising Warmer. Safety instructions that appear in this manual after a warning symbol and the words **WARNING** or **CAUTION** printed in bold face are very important. **WARNING** means there is the possibility of serious personal injury or death to yourself or others. **CAUTION** means there is the possibility of minor or moderate injury. **NOTICE** signifies the possibility of equipment or property damage only.

Hatco Glo-Ray *Designer* Merchandising Warmers are a product of extensive research and field testing. The materials used were selected for maximum durability, attractive appearance and optimum performance. Every unit is thoroughly inspected and tested prior to shipment.






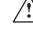
# IMPORTANT SAFETY INFORMATION

**IMPORTANT! Read the following important safety information to avoid personal injury or death, and to avoid damage to the equipment or property.**

## WARNINGS

-  For safe and proper operation, plug unit into a properly grounded electrical outlet of the correct voltage, wire size and plug configuration. If the plug and receptacle do not match, contact a qualified electrician to determine the proper voltage and size and to install the proper electrical outlet.
-  Units supplied without electrical plug require field installation of proper electrical plug. Plug must be proper for the electrical specifications of the unit and power supply and be grounded.
-  To avoid electrical shock, personal injury or damage to the unit, DO NOT submerge in water. Unit is not waterproof. Do not operate if it has been submerged in water.
-  To avoid any injury, turn the power switch off at the fuse disconnect switch/circuit breaker or unplug the unit from the power source and allow to cool completely before performing any maintenance or cleaning.
-  To prevent electric shock, always unplug the unit before performing cleaning or maintenance.
-  For safe and proper operation, do not place food product directly onto hardcoat surface. Food product must be wrapped, boxed or on a food pan.
-  For safe and proper operation, the unit must be located 1" (25 mm) from combustible walls and materials. If safe distances are not maintained, discoloration or combustion could occur.
-  To avoid electric shock or personal injury, do not steam clean or use excessive water on the unit.
-  Only light bulbs which meet or exceed NSF standards, specifically designed for food holding areas must be used. Breakage of light bulbs not specially coated could result in personal injury and/or food contamination.

## WARNINGS




-  To prevent any injury or damage to the unit do not store or use gasoline or other flammable vapors or liquids in the vicinity of this or any other appliance.
-  If service is required on this unit, contact your Authorized Hatco Service Agent, or contact the Hatco Service Department at 800-558-0607 or 414-671-6350; fax 800-690-2966 or International fax 414-671-3976.
-  This product has no "user" serviceable parts. To avoid damage to the unit or injury to personnel, use only Authorized Hatco Service Agents and Genuine Hatco Parts when service is required.
-  To prevent any injury or damage to the unit do not pull unit by power cord.
-  To prevent any injury, discontinue use if power cord is frayed or worn.
-  Genuine Hatco Replacement Parts are specified to operate safely in the environments in which they are used. Some aftermarket or generic replacement parts do not have the characteristics that will allow them to operate safely in Hatco equipment. It is essential to use Hatco Replacement Parts when repairing Hatco equipment. Failure to use Hatco Replacement Parts may subject operators of the equipment to hazardous electrical voltage, resulting in electrical shock or burn.

# IMPORTANT SAFETY INFORMATION


---

**IMPORTANT! Read the following important safety information to avoid personal injury or death, and to avoid damage to the equipment or property.**

## CAUTIONS

-  Some exterior surfaces on the unit will get hot. Use caution when touching these areas to avoid injury.
-  Locate the unit at the proper counter height, in an area that is convenient for use. The location should be level to prevent the unit or its contents from accidentally falling, and strong enough to support the weight of the unit and food product.
-  Unit is not weatherproof. For safe and proper operation the unit must be located indoors where the ambient air temperature is a minimum of 70°F (21°C) and a maximum of 85°F (29°C).

## CAUTIONS

-  The National Sanitation Foundation (NSF) requires that GR2SD Series units over 36" (914 mm) in length or weighing more than 80 lbs. (36 kg) to be either sealed or raised on the installation surface. If this unit cannot be sealed at the point of use, 4" (102 mm) legs are included to allow for proper cleaning access below unit. See Hatco ACCESSORIES for installation instructions.

## NOTICES

Use only non-abrasive cleaners. Abrasive cleaners could scratch the finish of your unit, marring its appearance and making it susceptible to dirt accumulation.

Only soft cleaning cloths, mild soap and water should be used to clean breath protector(s). Do not use paper towel or glass cleaner. Breath protector(s) are made of shatterproof polycarbonate and will scratch or crack if proper care is not taken.

## MODEL DESCRIPTIONS

### ALL MODELS

All GR2SD models are constructed of aluminum and feature tempered glass side panels, a thermostatically controlled heated base, infrared upper heating elements, incandescent lights, product divider rods, legs, *Designer* color inset panels, and a cord and plug set.

### GR2SDH MODELS

The GR2SDH models are horizontal shelf warmers designed to hold wrapped or boxed product.

These models are available in various widths, 30-1/8" to 66-1/8" (765 to 1680 mm), and are also available in single shelf or dual shelf models.

### GR2SDS MODELS

The GR2SDS models are slant shelf warmers designed to hold wrapped or boxed product. The shelves are slanted for the convenience of self-serve.

These models are available in various widths, 30-1/8" to 66-1/8" (765 to 1680 mm), and are also available in single shelf or dual shelf models.

*NOTE: GR2SDH and GR2SDS models cannot be converted to each other.*

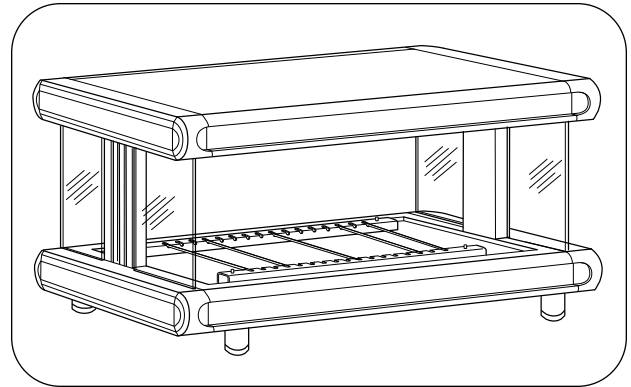


Figure 1. Glo-Ray Model GR2SDH - Single Shelf

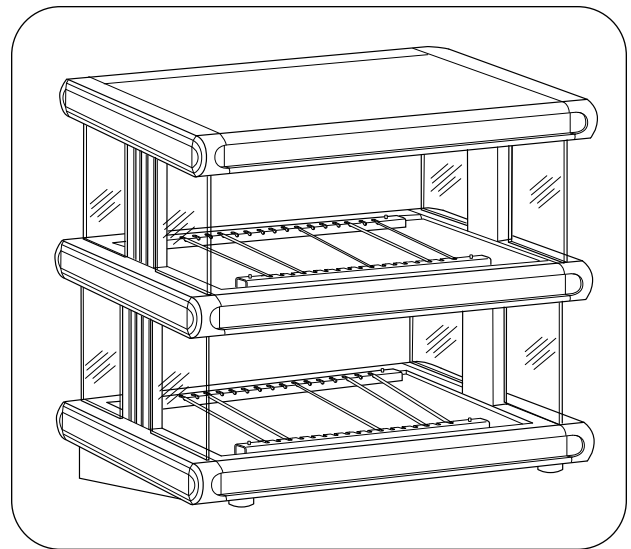


Figure 2. Glo-Ray Model GR2SDS - Dual Shelf

# MODEL DESIGNATION

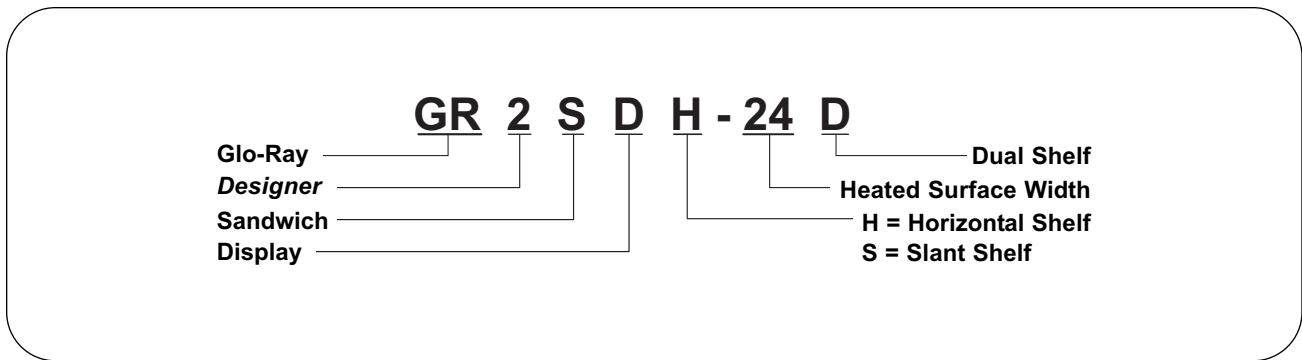


Figure 3. Model Designation

# SPECIFICATIONS

## PLUG CONFIGURATIONS

Most units are supplied from the factory with an electrical cord and plug attached. See Figure 4.

**⚠ WARNING**

**Units supplied without electrical plug require field installation of proper electrical plug. Plug must be proper for the electrical specifications of the unit and power supply and be grounded.**

On units supplied without plug, connect the proper plug to the cord, making sure the plug is rated for the specific load and the plug matches a suitable receptacle.

**⚠ WARNING**

**For safe and proper operation, plug unit into a properly grounded electrical outlet of the correct voltage, wire size and plug configuration. If the plug and receptacle do not match, contact a qualified electrician to determine the proper voltage and size and to install the proper electrical outlet.**

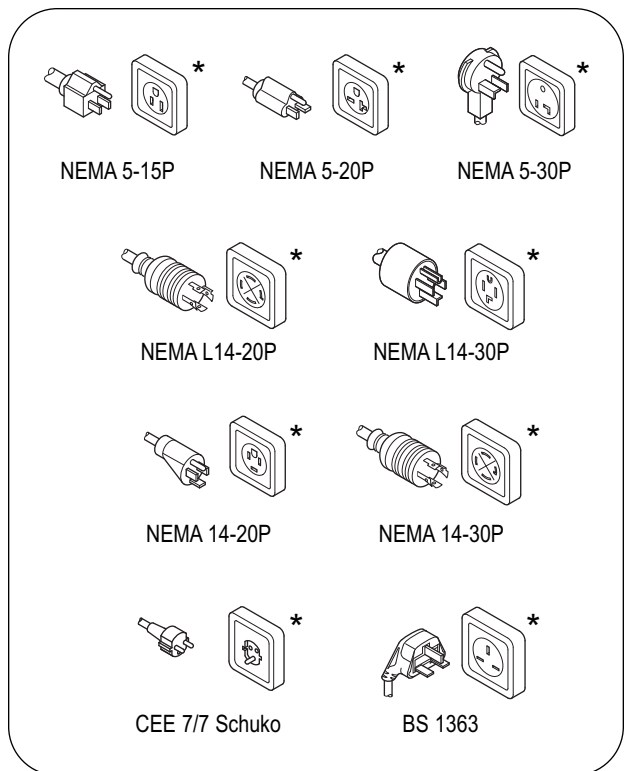


Figure 4. Plug Configurations

\* Receptacle not supplied by Hatco.

# SPECIFICATIONS

## ELECTRICAL RATING CHART - HORIZONTAL MODEL - SINGLE SHELF

Model	Voltage	Wattage	Amperage	Plug Configuration	Shipping Weight
GR2SDH-24	120	820	6.8	NEMA 5-15P	96 lbs. (44 kg)
	220	800	3.6	CEE 7/7 Schuko	96 lbs. (44 kg)
	240	820	3.4	BS-1363	96 lbs. (44 kg)
	220-230 (CE)	800-875	3.6-3.8	CEE 7/7 Schuko	96 lbs. (44 kg)
	230-240 (CE)	753-820	3.3-3.4	BS-1363	96 lbs. (44 kg)
GR2SDH-30	120	1020	8.5	NEMA 5-15P	102 lbs. (46 kg)
	220	1000	4.5	CEE 7/7 Schuko	102 lbs. (46 kg)
	240	1020	4.3	BS-1363	102 lbs. (46 kg)
	220-230 (CE)	1000-1093	4.5-4.8	CEE 7/7 Schuko	102 lbs. (46 kg)
	230-240 (CE)	937-1020	4.1-4.3	BS-1363	102 lbs. (46 kg)
GR2SDH-36	120	1220	10.2	NEMA 5-15P	113 lbs. (51 kg)
	220	1200	5.5	CEE 7/7 Schuko	113 lbs. (51 kg)
	240	1220	5.1	BS-1363	113 lbs. (51 kg)
	220-230 (CE)	1200-1312	5.5-5.7	CEE 7/7 Schuko	113 lbs. (51 kg)
	230-240 (CE)	1120-1220	4.9-5.1	BS-1363	113 lbs. (51 kg)
GR2SDH-42	120	1490	12.4	NEMA 5-15P*	138 lbs. (63 kg)
	220	1450	6.6	CEE 7/7 Schuko	138 lbs. (63 kg)
	240	1490	6.2	BS-1363	138 lbs. (63 kg)
	220-230 (CE)	1450-1585	6.6-6.9	CEE 7/7 Schuko	138 lbs. (63 kg)
	230-240 (CE)	1368-1490	6.0-6.2	BS-1363	138 lbs. (63 kg)
GR2SDH-48	120	1690	14.1	NEMA 5-15P*	149 lbs. (68 kg)
	220	1650	7.5	CEE 7/7 Schuko	149 lbs. (68 kg)
	240	1690	7.1	BS-1363	149 lbs. (68 kg)
	220-230 (CE)	1650-1804	7.5-7.8	CEE 7/7 Schuko	149 lbs. (68 kg)
	230-240 (CE)	1552-1690	6.8-7.1	BS-1363	149 lbs. (68 kg)
GR2SDH-54	120	1890	15.8	NEMA 5-20P	167 lbs. (76 kg)
	220	1850	8.4	CEE 7/7 Schuko	167 lbs. (76 kg)
	240	1890	7.9	BS-1363	167 lbs. (76 kg)
	220-230 (CE)	1850-2022	8.4-8.8	CEE 7/7 Schuko	167 lbs. (76 kg)
	230-240 (CE)	1736-1890	7.6-7.9	BS-1363	167 lbs. (76 kg)
GR2SDH-60	120	2210	18.4	NEMA 5-30P	187 lbs. (85 kg)
	220	2150	9.8	CEE 7/7 Schuko	187 lbs. (85 kg)
	240	2210	9.2	BS-1363	187 lbs. (85 kg)
	220-230 (CE)	2150-2350	9.8-10.2	CEE 7/7 Schuko	187 lbs. (85 kg)
	230-240 (CE)	2030-2210	8.8-9.2	BS-1363	187 lbs. (85 kg)

\* NEMA 5-20P for Canada

The electrical information in the shaded areas pertains to **Export models only**.

# SPECIFICATIONS

## ELECTRICAL RATING CHART - HORIZONTAL MODEL - DUAL SHELF

Model	Voltage	Wattage	Amperage	Plug Configuration	Shipping Weight
GR2SDH-24D	120	1640	13.7	NEMA 5-15P*	126 lbs. (57 kg)
	220	1600	7.3	CEE 7/7 Schuko	126 lbs. (57 kg)
	240	1640	6.8	BS-1363	126 lbs. (57 kg)
	220-230 (CE)	1600-1749	7.3-7.6	CEE 7/7 Schuko	126 lbs. (57 kg)
	230-240 (CE)	1506-1640	6.6-6.8	BS-1363	126 lbs. (57 kg)
GR2SDH-30D	120/208	2040	8.5	NEMA L14-20P**	142 lbs. (65 kg)
	120/240	2040	8.5	NEMA L14-20P**	142 lbs. (65 kg)
	220	2000	9.1	CEE 7/7 Schuko	142 lbs. (65 kg)
	240	2040	8.5	BS-1363	142 lbs. (65 kg)
	220-230 (CE)	2000-2186	9.1-9.5	CEE 7/7 Schuko	142 lbs. (65 kg)
	230-240 (CE)	1874-2040	8.2-8.5	BS-1363	142 lbs. (65 kg)
GR2SDH-36D	120/208	2440	10.2	NEMA L14-20P**	158 lbs. (72 kg)
	120/240	2440	10.2	NEMA L14-20P**	158 lbs. (72 kg)
	220	2400	10.9	CEE 7/7 Schuko	158 lbs. (72 kg)
	240	2440	10.2	BS-1363	158 lbs. (72 kg)
	220-230 (CE)	2400-2623	10.9-11.4	CEE 7/7 Schuko	158 lbs. (72 kg)
	230-240 (CE)	2241-2440	9.7-10.2	BS-1363	158 lbs. (72 kg)
GR2SDH-42D	120/208	2980	12.4	NEMA L14-20P**	186 lbs. (85 kg)
	120/240	2980	12.4	NEMA L14-20P**	186 lbs. (85 kg)
	220	2900	13.2	CEE 7/7 Schuko	186 lbs. (85 kg)
	240	2980	12.4	BS-1363	186 lbs. (85 kg)
	220-230 (CE)	2900-3170	13.2-13.8	CEE 7/7 Schuko	186 lbs. (85 kg)
	230-240 (CE)	2737-2980	11.9-12.4	BS-1363	186 lbs. (85 kg)
GR2SDH-48D	120/208	3380	14.1	NEMA L14-20P**	202 lbs. (92 kg)
	120/240	3380	14.1	NEMA L14-20P**	202 lbs. (92 kg)
	220	3300	15.0	CEE 7/7 Schuko	202 lbs. (92 kg)
	240	3380	14.1	cord without plug	202 lbs. (92 kg)
	220-230 (CE)	3300-3607	15.0-15.7	CEE 7/7 Schuko	202 lbs. (92 kg)
	230-240 (CE)	3104-3380	13.5-14.1	cord without plug	202 lbs. (92 kg)
GR2SDH-54D	120/208	3780	15.8	NEMA L14-20P**	228 lbs. (104 kg)
	120/240	3780	15.8	NEMA L14-20P**	228 lbs. (104 kg)
	220	3700	16.8	cord without plug	228 lbs. (104 kg)
	240	3780	15.8	cord without plug	228 lbs. (104 kg)
	220-230 (CE)	3700-4044	16.8-17.6	cord without plug	228 lbs. (104 kg)
	230-240 (CE)	3472-3780	15.1-15.8	cord without plug	228 lbs. (104 kg)
GR2SDH-60D	120/208	4420	18.4	NEMA L14-30P**	258 lbs. (117 kg)
	120/240	4420	18.4	NEMA L14-30P**	258 lbs. (117 kg)
	220	4300	19.6	cord without plug	258 lbs. (117 kg)
	240	4420	18.4	cord without plug	258 lbs. (117 kg)
	220-230 (CE)	4300-4700	19.6-20.4	cord without plug	258 lbs. (117 kg)
	230-240 (CE)	4059-4420	17.6-18.4	cord without plug	258 lbs. (117 kg)

\* NEMA 5-20P for Canada

\*\* Locking plugs NEMA L14-20P and L14-30P are standard. Straight blades are an option.

The electrical information in the shaded areas pertains to **Export models only**.



# SPECIFICATIONS

## ELECTRICAL RATING CHART - HORIZONTAL MODEL - TRIPLE SHELF

Model	Voltage	Wattage	Amperage	Plug Configuration	Shipping Weight
GR2SDH-48T	120/208	4020	17.2	NEMA L14-20P	466 lbs. (211 kg)
	120/240	4020	17.2	NEMA L14-20P	466 lbs. (211 kg)

## ELECTRICAL RATING CHART - SLANT MODEL - SINGLE SHELF

Model	Voltage	Wattage	Amperage	Plug Configuration	Shipping Weight
GR2SDS-24	120	820	6.8	NEMA 5-15P	98 lbs. (44 kg)
	220	800	3.6	CEE 7/7 Schuko	98 lbs. (44 kg)
	240	820	3.4	BS-1363	98 lbs. (44 kg)
	220-230 (CE)	800-875	3.6-3.8	CEE 7/7 Schuko	98 lbs. (44 kg)
	230-240 (CE)	753-820	3.3-3.4	BS-1363	98 lbs. (44 kg)
GR2SDS-30	120	1020	8.5	NEMA 5-15P	110 lbs. (50 kg)
	220	1000	4.5	CEE 7/7 Schuko	110 lbs. (50 kg)
	240	1020	4.3	BS-1363	110 lbs. (50 kg)
	220-230 (CE)	1000-1093	4.5-4.8	CEE 7/7 Schuko	110 lbs. (50 kg)
	230-240 (CE)	937-1020	4.1-4.3	BS-1363	110 lbs. (50 kg)
GR2SDS-36	120	1220	10.2	NEMA 5-15P	128 lbs. (58 kg)
	220	1200	5.5	CEE 7/7 Schuko	128 lbs. (58 kg)
	240	1220	5.1	BS-1363	128 lbs. (58 kg)
	220-230 (CE)	1200-1312	5.5-5.7	CEE 7/7 Schuko	128 lbs. (58 kg)
	230-240 (CE)	1120-1220	4.9-5.1	BS-1363	128 lbs. (58 kg)
GR2SDS-42	120	1490	12.4	NEMA 5-15P*	146 lbs. (66 kg)
	220	1450	6.6	CEE 7/7 Schuko	146 lbs. (66 kg)
	240	1490	6.2	BS-1363	146 lbs. (66 kg)
	220-230 (CE)	1450-1585	6.6-6.9	CEE 7/7 Schuko	146 lbs. (66 kg)
	230-240 (CE)	1368-1490	6.0-6.2	BS-1363	146 lbs. (66 kg)
GR2SDS-48	120	1690	14.1	NEMA 5-15P*	164 lbs. (74 kg)
	220	1650	7.5	CEE 7/7 Schuko	164 lbs. (74 kg)
	240	1690	7.1	BS-1363	164 lbs. (74 kg)
	220-230 (CE)	1650-1804	7.5-7.8	CEE 7/7 Schuko	164 lbs. (74 kg)
	230-240 (CE)	1552-1690	6.8-7.1	BS-1363	164 lbs. (74 kg)
GR2SDS-54	120	1890	15.8	NEMA 5-20P	182 lbs. (83 kg)
	220	1850	8.4	CEE 7/7 Schuko	182 lbs. (83 kg)
	240	1890	7.9	BS-1363	182 lbs. (83 kg)
	220-230 (CE)	1850-2022	8.4-8.8	CEE 7/7 Schuko	182 lbs. (83 kg)
	230-240 (CE)	1736-1890	7.6-7.9	BS-1363	182 lbs. (83 kg)
GR2SDS-60	120	2210	18.4	NEMA 5-30P	202 lbs. (92 kg)
	220	2150	9.8	CEE 7/7 Schuko	202 lbs. (92 kg)
	240	2210	9.2	BS-1363	202 lbs. (92 kg)
	220-230 (CE)	2150-2350	9.8-10.2	CEE 7/7 Schuko	202 lbs. (92 kg)
	230-240 (CE)	2030-2210	8.8-9.2	BS-1363	202 lbs. (92 kg)

\* NEMA 5-20P for Canada

The electrical information in the shaded areas pertains to **Export models only**.

# SPECIFICATIONS

## ELECTRICAL RATING CHART - SLANT MODEL - DUAL SHELF

Model	Voltage	Wattage	Amperage	Plug Configuration	Shipping Weight
GR2SDS-24D	120	1640	13.7	NEMA 5-15P*	158 lbs. (72 kg)
	220	1600	7.3	CEE 7/7 Schuko	158 lbs. (72 kg)
	240	1640	6.8	BS-1363	158 lbs. (72 kg)
	220-230 (CE)	1600-1749	7.3-7.6	CEE 7/7 Schuko	158 lbs. (72 kg)
	230-240 (CE)	1506-1640	6.6-6.8	BS-1363	158 lbs. (72 kg)
GR2SDS-30D	120/208	2040	8.5	NEMA L14-20P**	174 lbs. (79 kg)
	120/240	2040	8.5	NEMA L14-20P**	174 lbs. (79 kg)
	220	2000	9.1	CEE 7/7 Schuko	174 lbs. (79 kg)
	240	2040	8.5	BS-1363	174 lbs. (79 kg)
	220-230 (CE)	2000-2186	9.1-9.5	CEE 7/7 Schuko	174 lbs. (79 kg)
230-240 (CE)	1874-2040	8.2-8.5	BS-1363	174 lbs. (79 kg)	
GR2SDHS-36D	120/208	2440	10.2	NEMA L14-20P**	190 lbs. (86 kg)
	120/240	2440	10.2	NEMA L14-20P**	190 lbs. (86 kg)
	220	2400	10.9	CEE 7/7 Schuko	190 lbs. (86 kg)
	240	2440	10.2	BS-1363	190 lbs. (86 kg)
	220-230 (CE)	2400-2623	10.9-11.4	CEE 7/7 Schuko	190 lbs. (86 kg)
230-240 (CE)	2241-2440	9.7-10.2	BS-1363	190 lbs. (86 kg)	
GR2SDS-42D	120/208	2980	12.4	NEMA L14-20P**	218 lbs. (99 kg)
	120/240	2980	12.4	NEMA L14-20P**	218 lbs. (99 kg)
	220	2900	13.2	CEE 7/7 Schuko	218 lbs. (99 kg)
	240	2980	12.4	BS-1363	218 lbs. (99 kg)
	220-230 (CE)	2900-3170	13.2-13.8	CEE 7/7 Schuko	218 lbs. (99 kg)
230-240 (CE)	2737-2980	11.9-12.4	BS-1363	218 lbs. (99 kg)	
GR2SDS-48D	120/208	3380	14.1	NEMA L14-20P**	240 lbs. (109 kg)
	120/240	3380	14.1	NEMA L14-20P**	240 lbs. (109 kg)
	220	3300	15.0	CEE 7/7 Schuko	240 lbs. (109 kg)
	240	3380	14.1	cord without plug	240 lbs. (109 kg)
	220-230 (CE)	3300-3607	15.0-15.7	CEE 7/7 Schuko	240 lbs. (109 kg)
230-240 (CE)	3104-3380	13.5-14.1	cord without plug	240 lbs. (109 kg)	
GR2SDS-54D	120/208	3780	15.8	NEMA L14-20P**	260 lbs. (118 kg)
	120/240	3780	15.8	NEMA L14-20P**	260 lbs. (118 kg)
	220	3700	16.8	cord without plug	260 lbs. (118 kg)
	240	3780	15.8	cord without plug	260 lbs. (118 kg)
	220-230 (CE)	3700-4044	16.8-17.6	cord without plug	260 lbs. (118 kg)
230-240 (CE)	3472-3780	15.1-15.8	cord without plug	260 lbs. (118 kg)	
GR2SDS-60D	120/208	4420	18.4	NEMA L14-30P**	290 lbs. (132 kg)
	120/240	4420	18.4	NEMA L14-30P**	290 lbs. (132 kg)
	220	4300	19.6	cord without plug	290 lbs. (132 kg)
	240	4420	18.4	cord without plug	290 lbs. (132 kg)
	220-230 (CE)	4300-4700	19.6-20.4	cord without plug	290 lbs. (132 kg)
230-240 (CE)	4059-4420	17.6-18.4	cord without plug	290 lbs. (132 kg)	

\* NEMA 5-20P for Canada

\*\* Locking plugs NEMA L14-20P and L14-30P are standard. Straight blades are an option.

The electrical information in the shaded areas pertains to **Export models only**.

# SPECIFICATIONS

## DIMENSIONS - GR2SDH MODEL

HORIZONTAL MODEL - SINGLE SHELF								
Model	Width (A)	Depth (B)	Height (C)*	Height (D)	Heated Shelf Area (E)	Footprint		
						Width (F)	Width (G)	Depth (H)
GR2SDH-24	30-1/8" (765 mm)	27" (686 mm)	15" (381 mm)	8" (203 mm)	23-7/8" (606 mm)	20-1/8" (511 mm)	5-1/16" (129 mm)	4-7/16
GR2SDH-30	36-1/8" (918 mm)	27" (686 mm)	15" (381 mm)	8" (203 mm)	29-7/8" (759 mm)	26-1/8" (664 mm)	5-1/16" (129 mm)	4-7/16
GR2SDH-36	42-1/8" (1070 mm)	27" (686 mm)	15" (381 mm)	8" (203 mm)	35-7/8" (911 mm)	32-1/8" (816 mm)	5-1/16" (129 mm)	4-7/16
GR2SDH-42	48-1/8" (1222 mm)	27" (686 mm)	15" (381 mm)	8" (203 mm)	41-7/8" (1064 mm)	38-1/8" (968 mm)	5-1/16" (129 mm)	4-7/16
GR2SDH-48	54-1/8" (1375 mm)	27" (686 mm)	15" (381 mm)	8" (203 mm)	47-7/8" (1216 mm)	44-1/8" (1121 mm)	5-1/16" (129 mm)	4-7/16
GR2SDH-54	60-1/8" (1527 mm)	27" (686 mm)	15" (381 mm)	8" (203 mm)	53-7/8" (1368 mm)	50-1/8" (1273 mm)	5-1/16" (129 mm)	4-7/16
GR2SDH-60	66-1/8" (1680 mm)	27" (686 mm)	15" (381 mm)	8" (203 mm)	59-7/8" (1521 mm)	56-1/8" (1426 mm)	5-1/16" (129 mm)	4-7/16

Front View

Side View

\* Height dimension includes 1" (25 mm) attached leg. Add 3" (76 mm) to this dimension when 4" (102 mm) leg is used.

HORIZONTAL MODEL - DUAL SHELF								
Model	Width (A)	Depth (B)	Height (C)*	Height (D)	Heated Shelf Area (E)	Footprint		
						Width (F)	Width (G)	Depth (H)
GR2SDH-24D	30-1/8" (765 mm)	27" (686 mm)	29" (737 mm)	8" (203 mm)	23-7/8" (606 mm)	20-1/8" (511 mm)	5-1/16" (129 mm)	4-7/16
GR2SDH-30D	36-1/8" (918 mm)	27" (686 mm)	29" (737 mm)	8" (203 mm)	29-7/8" (759 mm)	26-1/8" (664 mm)	5-1/16" (129 mm)	4-7/16
GR2SDH-36D	42-1/8" (1070 mm)	27" (686 mm)	29" (737 mm)	8" (203 mm)	35-7/8" (911 mm)	32-1/8" (816 mm)	5-1/16" (129 mm)	4-7/16
GR2SDH-42D	48-1/8" (1222 mm)	27" (686 mm)	29" (737 mm)	8" (203 mm)	41-7/8" (1064 mm)	38-1/8" (968 mm)	5-1/16" (129 mm)	4-7/16
GR2SDH-48D	54-1/8" (1375 mm)	27" (686 mm)	29" (737 mm)	8" (203 mm)	47-7/8" (1216 mm)	44-1/8" (1121 mm)	5-1/16" (129 mm)	4-7/16
GR2SDH-54D	60-1/8" (1527 mm)	27" (686 mm)	29" (737 mm)	8" (203 mm)	53-7/8" (1368 mm)	50-1/8" (1273 mm)	5-1/16" (129 mm)	4-7/16
GR2SDH-60D	66-1/8" (1680 mm)	27" (686 mm)	29" (737 mm)	8" (203 mm)	59-7/8" (1521 mm)	56-1/8" (1426 mm)	5-1/16" (129 mm)	4-7/16

Front View

Side View

\* Height dimension includes 1" (25 mm) attached leg. Add 3" (76 mm) to this dimension when 4" (102 mm) leg is used.

# SPECIFICATIONS

## DIMENSIONS - GR2SDH MODEL

HORIZONTAL MODEL - TRIPLE SHELF								
Model	Width	Depth	Height	Height	Heated Shelf	Footprint		
	(A)	(B)	(C)*	(D)	Area (E)	Width (F)	Width (G)	Depth (H)
GR2SDH-48T	54-1/8" (1375 mm)	27" (686 mm)	40-1/16" (1018 mm)	8" (203 mm)	47-7/8" (1216 mm)	44-1/8" (1121 mm)	5-1/16" (129 mm)	4-7/16" (113 mm)

\* Includes 4" (102 mm) legs.

The front view shows a triple-shelf unit with dimensions: A (total width), B (shelf width), C (total height), D (shelf height), E (shelf depth), F (total footprint width), G (shelf footprint width), and H (footprint depth). The side view shows the unit's profile with dimensions B (shelf width) and H (footprint depth).

## DIMENSIONS - GR2SDS MODEL

SLANT MODEL - SINGLE SHELF								
Model	Width	Depth	Height	Height	Heated	Footprint		
	(A)	(B)	(C)*	(D)	Shelf Area (E)	Width (F)	Width (G)	Depth (H)
GR2SDS-24	30-1/8" (765 mm)	26-5/8" (676 mm)	19-3/8" (492 mm)	8" (203 mm)	23-7/8" (606 mm)	20-1/8" (511 mm)	5-1/16" (129 mm)	4-7/16" (113 mm)
GR2SDS-30	36-1/8" (918 mm)	26-5/8" (676 mm)	19-3/8" (492 mm)	8" (203 mm)	29-7/8" (759 mm)	26-1/8" (664 mm)	5-1/16" (129 mm)	4-7/16" (113 mm)
GR2SDS-36	42-1/8" (1070 mm)	26-5/8" (676 mm)	19-3/8" (492 mm)	8" (203 mm)	35-7/8" (911 mm)	32-1/8" (816 mm)	5-1/16" (129 mm)	4-7/16" (113 mm)
GR2SDS-42	48-1/8" (1222 mm)	26-5/8" (676 mm)	19-3/8" (492 mm)	8" (203 mm)	41-7/8" (1064 mm)	38-1/8" (968 mm)	5-1/16" (129 mm)	4-7/16" (113 mm)
GR2SDS-48	54-1/8" (1375 mm)	26-5/8" (676 mm)	19-3/8" (492 mm)	8" (203 mm)	47-7/8" (1216 mm)	44-1/8" (1121 mm)	5-1/16" (129 mm)	4-7/16" (113 mm)
GR2SDS-54	60-1/8" (1527 mm)	26-5/8" (676 mm)	19-3/8" (492 mm)	8" (203 mm)	53-7/8" (1368 mm)	50-1/8" (1273 mm)	5-1/16" (129 mm)	4-7/16" (113 mm)
GR2SDS-60	66-1/8" (1680 mm)	26-5/8" (676 mm)	19-3/8" (492 mm)	8" (203 mm)	59-7/8" (1521 mm)	56-1/8" (1426 mm)	5-1/16" (129 mm)	4-7/16" (113 mm)

\* Height dimension includes 1" (25 mm) attached leg. Add 3" (76 mm) to this dimension when 4" (102 mm) leg is used.

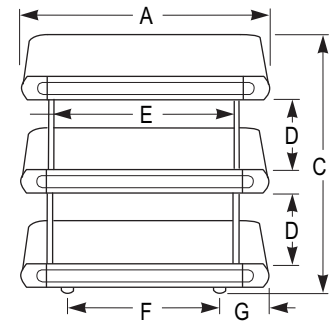
The front view shows a slant model with dimensions: A (total width), B (shelf width), C (total height), D (shelf height), E (shelf depth), F (total footprint width), G (shelf footprint width), and H (footprint depth). The side view shows the slanted profile with dimensions B (shelf width) and H (footprint depth).

# SPECIFICATIONS

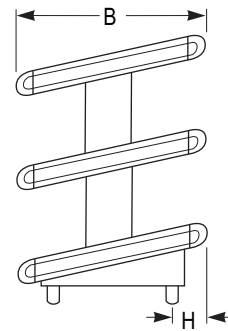
## DIMENSIONS - GR2SDS MODEL

SLANT MODEL - DUAL SHELF								
Model	Width	Depth	Height	Height	Heated Shelf Area (E)	Footprint		
	(A)	(B)	(C)*	(D)		Width (F)	Width (G)	Depth (H)
GR2SDS-24D	30-1/8" (765 mm)	26-5/8" (676 mm)	30-3/8" (772 mm)	8" (203 mm)	23-7/8" (606 mm)	20-1/8" (511 mm)	5-1/16" (129 mm)	4-7/16 (113 mm)
GR2SDS-30D	36-1/8" (918 mm)	26-5/8" (676 mm)	30-3/8" (772 mm)	8" (203 mm)	29-7/8" (759 mm)	26-1/8" (664 mm)	5-1/16" (129 mm)	4-7/16 (113 mm)
GR2SDS-36D	42-1/8" (1070 mm)	26-5/8" (676 mm)	30-3/8" (772 mm)	8" (203 mm)	35-7/8" (911 mm)	32-1/8" (816 mm)	5-1/16" (129 mm)	4-7/16 (113 mm)
GR2SDS-42D	48-1/8" (1222 mm)	26-5/8" (676 mm)	30-3/8" (772 mm)	8" (203 mm)	41-7/8" (1064 mm)	38-1/8" (968 mm)	5-1/16" (129 mm)	4-7/16 (113 mm)
GR2SDS-48D	54-1/8" (1375 mm)	26-5/8" (676 mm)	30-3/8" (772 mm)	8" (203 mm)	47-7/8" (1216 mm)	44-1/8" (1121 mm)	5-1/16" (129 mm)	4-7/16 (113 mm)
GR2SDS-54D	60-1/8" (1527 mm)	26-5/8" (676 mm)	30-3/8" (772 mm)	8" (203 mm)	53-7/8" (1368 mm)	50-1/8" (1273 mm)	5-1/16" (129 mm)	4-7/16 (113 mm)
GR2SDS-60D	66-1/8" (1680 mm)	26-5/8" (676 mm)	30-3/8" (772 mm)	8" (203 mm)	59-7/8" (1521 mm)	56-1/8" (1426 mm)	5-1/16" (129 mm)	4-7/16 (113 mm)

\* Height dimension includes 1" (25 mm) attached leg. Add 3" (76 mm) to this dimension when 4" (102 mm) leg is used.



Front View



Side View

# INSTALLATION

## UNPACKING

Glo-Ray *Designer* Merchandising Warmers are shipped with most components pre-assembled. Care should be taken when unpacking shipping carton to avoid damage to unit and components enclosed.

1. Remove unit from box.
2. Remove information packet. **To prevent delay in obtaining warranty coverage, fill out and mail in the warranty card.**
3. Remove tape and protective packaging from all surfaces of unit.
4. The unit is supplied with channel dividers and product divider bars. First install the front and back channel dividers over the pins. To install the divider bars, place them in the channels provided. (See Figure 5.) The bars can be readily adjusted to separate your holding areas as needed.

## LOCATION

*NOTE: The unit must be transported in the upright position.*

For proper operation and maximum performance, locate the *Designer* Merchandising Warmer in an area where the ambient air temperature is constant and is a minimum of 70° F (21° C). Areas which are susceptible to active air movements or currents should be avoided, i.e., near exhaust fans or hoods and air conditioning ducts.

### ⚠ WARNING

For safe and proper operation, the unit must be located 1" (25 mm) from combustible walls and materials. If safe distances are not maintained, discoloration or combustion could occur.

### ⚠ WARNINGS

To prevent any injury or damage to the unit do not store or use gasoline or other flammable vapors or liquids in the vicinity of this or any other appliance.

### ⚠ CAUTION

Unit is not weatherproof. For safe and proper operation the unit must be located indoors where the ambient air temperature is a minimum of 70°F (21°C) and a maximum of 85°F (29°C).

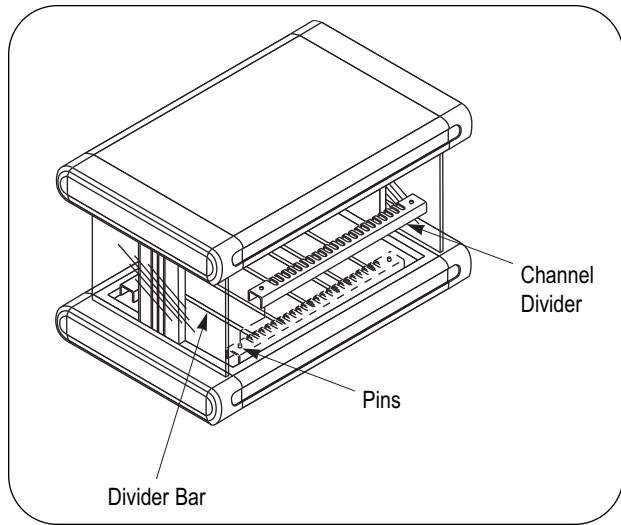


Figure 5. Installing Product Divider Bars

### ⚠ CAUTION

Locate the unit at the proper counter height, in an area that is convenient for use. The location should be level to prevent the unit or its contents from accidentally falling, and strong enough to support the weight of the unit and food product.

### ⚠ CAUTION

The National Sanitation Foundation (NSF) requires that GR2SD Series units over 36" (914 mm) in length or weighing more than 80 lbs. (36 kg) to be either sealed or raised on the installation surface. If this unit cannot be sealed at the point of use, 4" (102 mm) legs are included to allow for proper cleaning access below unit. See Hatco ACCESSORIES for installation instructions.

**⚠ WARNING**

To prevent any injury, discontinue use if power cord is frayed or worn.

**⚠ WARNING**

For safe and proper operation, do not place food product directly onto hardcoat surface. Food product must be wrapped, boxed or on a food pan.

**⚠ CAUTION**

Some exterior surfaces on the unit will get hot. Use caution when touching these areas to avoid injury.

The *Designer Merchandising Warmer* power is controlled by the ON/OFF toggle switch. (See Figure 6.) The switch must be in the ON position for the unit to function.

The thermostatically controlled base can be set to any desired heating level as indicated on the control plate.

*NOTE: Main power switch must be in the ON position for the heated base to function.*

*NOTE: For units equipped with Indicating Temperature Control (LED) refer to ACCESSORIES section of this manual.*

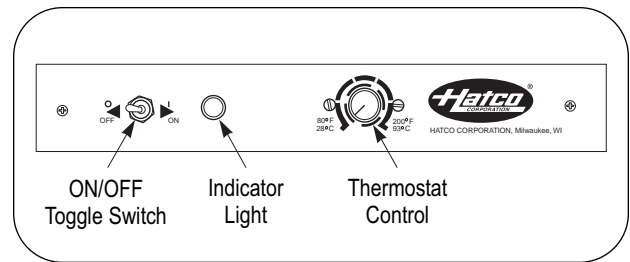


Figure 6. Controls

# MAINTENANCE

---

## GENERAL

The Hatco Glo-Ray *Designer* Merchandising Warmers are designed for maximum durability and performance, with minimum maintenance.

### WARNING

To avoid any injury, turn the power switch off at the fuse disconnect switch/circuit breaker or unplug the unit from the power source and allow to cool completely before performing any maintenance or cleaning.

### WARNING

To avoid electrical shock or personal injury, do not steam clean or use excessive water on the unit.

### WARNING

To avoid electrical shock, personal injury or damage to the unit, DO NOT submerge in water. Unit is not waterproof. Do not operate if it has been submerged in water.

### WARNING

To prevent electric shock, always unplug the unit before performing cleaning or maintenance.

## CLEANING

To preserve the bright finish of the Glo-Ray *Designer* Merchandising Warmer, it is recommended that the exterior and interior surfaces be wiped daily with a damp cloth. Stubborn stains may be removed with a good non-abrasive cleaner. Hard to reach areas should be cleaned with a small brush and mild soap.

### NOTICE

Use only non-abrasive cleaners. Abrasive cleaners could scratch the finish of your unit, marring its appearance and making it susceptible to dirt accumulation.

Clean the glass sides using a common glass cleaner.

### NOTICE

Only soft cleaning cloths, mild soap and water should be used to clean breath protector(s). Do not use paper towel or glass cleaner. Breath protector(s) are made of shatterproof polycarbonate and will scratch or crack if proper care is not taken.

## DISPLAY LIGHT BULB REPLACEMENT

The display light is an incandescent light bulb which illuminates the warming area. The bulb has a special coating to guard against injury and food contamination in the event of breakage.

1. To replace a light bulb, disconnect the power supply and wait until the unit has cooled.
2. Bulbs have a threaded base. Unscrew the light bulb from the unit and replace it with a new specially coated incandescent bulb.

*NOTE: Hatco shatter-resistant light bulbs meet NSF standards for food holding and display areas. For 120, 120/208 and 120/240 volt applications, use Hatco part number 02.30.043.00. For 220, 240, 220-230 and 230-240 volt, use Hatco part number 02.30.058.00*

### WARNING

Only bulbs which meet or exceed NSF standards, specifically designed for food holding areas must be used. Breakage of bulbs not specially coated could result in personal injury and/or food contamination.

### WARNING

If service is required on this unit, contact your Authorized Hatco Service Agent, or contact the Hatco Service Department at 800-558-0607 or 414-671-6350; fax 800-690-2966 or International fax 414-671-3976.

### WARNING

This product has no “user” serviceable parts. To avoid damage to the unit or injury to personnel, use only Authorized Hatco Service Agents and Genuine Hatco Parts when service is required.

### WARNING

Genuine Hatco Replacement Parts are specified to operate safely in the environments in which they are used. Some aftermarket or generic replacement parts do not have the characteristics that will allow them to operate safely in Hatco equipment. It is essential to use Hatco Replacement Parts when repairing Hatco equipment. Failure to use Hatco Replacement Parts may subject operators of the equipment to hazardous electrical voltage, resulting in electrical shock or burn.



## LED TEMPERATURE CONTROL

Models GR2SDH and GR2SDS can be equipped with an LED temperature control device which regulates the base temperatures and also indicates the current base temperatures.

*NOTE: This option is factory installed only, not available for retrofit.*

*NOTE: Units with the LED temperature control do not have an additional separate base thermostats. All temperature regulation is performed by the controller.*

*NOTE: Units with LED temperature controls manufactured for use outside the United States use devices that indicate temperature in Celsius (°C).*

The programming instructions are as follows:

1. To set the temperature, turn the red Mode Switch counterclockwise to the SP-1 position indicated on the controller. (See Figure 7.)
2. Adjust the Setpoint Screw to the desired temperature, then turn the red Mode Switch to the TEMP position. The surface temperature range is room temperature to 200°F (93°C).

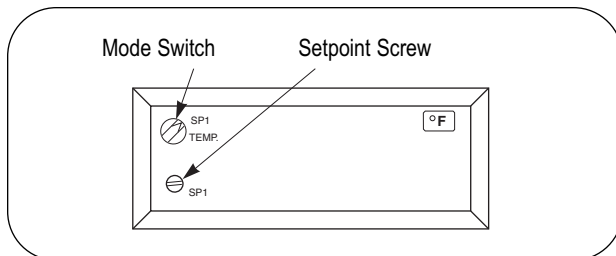


Figure 7. Optional LED Temperature Control

## 4" (102 MM) DESIGNER LEGS

1. To install, place the unit on its non-control side, making sure the glass is secure.
2. Place hexbolt through short rubber foot (with bolt head on recessed foot side) and through metal Designer Leg. Align bolt in corner hole on base and tighten securely. (See Figure 8.)
3. After all the legs are secure, return the unit to its upright position.

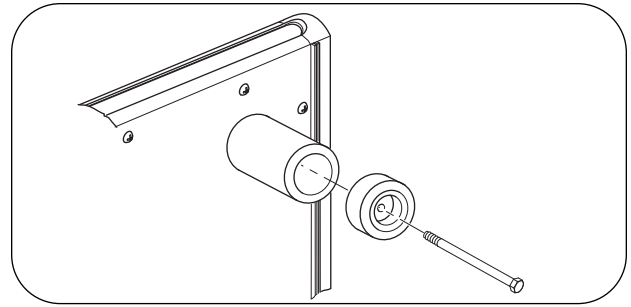


Figure 8. Optional 4" (102 mm) Designer Legs

## STAINLESS STEEL DIVIDER RODS

Additional stainless steel divider rods are available to help keep product separate in the channels.

## DESIGNER INSET COLOR PANELS

Choose from warm red, black, gray granite, white granite, hunter green and navy blue inset panels to coordinate warmer to your decór.

## BREATH PROTECTOR(S)

**(Not For Retrofit)**

Units can be supplied from the factory with breath protector(s) on the customer side. To install, follow these steps. (See Figure 9.)

1. Remove protective paper from acrylic surfaces.
2. Position the acrylic breath protector into the channel on the warmer with the mounting holes aligned.
3. Secure the breath protector using the thumbscrews on the top side and acorn nuts on the bottom side. Tighten thumbscrews until snug. Do not overtighten.

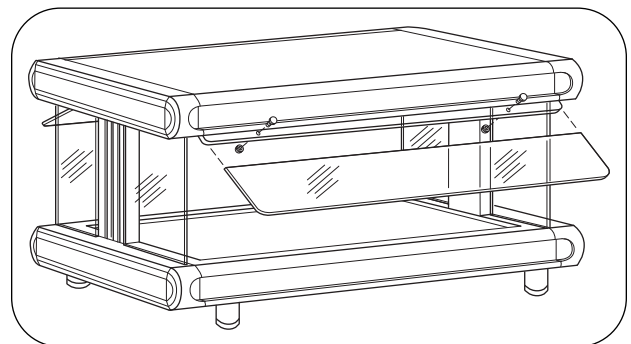


Figure 9. Breath Protector

# ACCESSORIES

## FLIP-UP DOOR

Doors are available for either the customer side or the control side of the unit, and to cover single shelves or multiple shelves of multi-tiered units. Door(s) help keep heat in and air currents away from the heat zone. Door(s) are not recommended for usage on both sides or with Breath Protectors. To install, follow these steps.

*NOTE: Units 48" and larger require 2 doors per shelf.*

1. Remove the two outer screws used for mounting the end covers. Locate the right and left hand brackets and mount using these screws at location A. For units 48" and larger, a center mounting bracket is required. Usually a wire guard screw will exist at the location of this bracket. Remove this screw and use it to mount center bracket, location B. If no wire guard screw is present, it will be necessary to drill a 0.125" diameter hole at location B. (See Figure 10.)
2. Using a flat head screw driver, remove one of the hinge screws from the end of the aluminum hinge on the door assembly.
3. Attach the door assembly onto the unit by passing the unassembled hinge screw through the hole on one of the previously installed mounting brackets (use the center bracket if it is being used). Then hold the door assembly in place between the two mounting brackets, and re-assemble the hinge screw to the aluminum hinge through the hole in the opposite mounting bracket. Apply Loctite, or equivalent to this screw and reassemble. Repeat for additional door. (See Figure 11.)

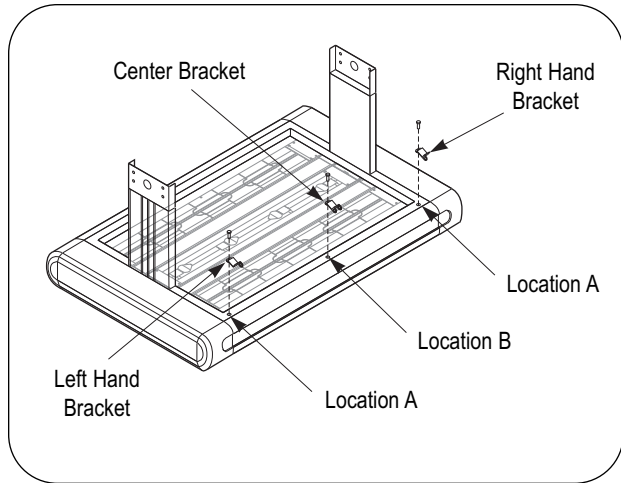


Figure 10. Flip-Up Door – Under Side View

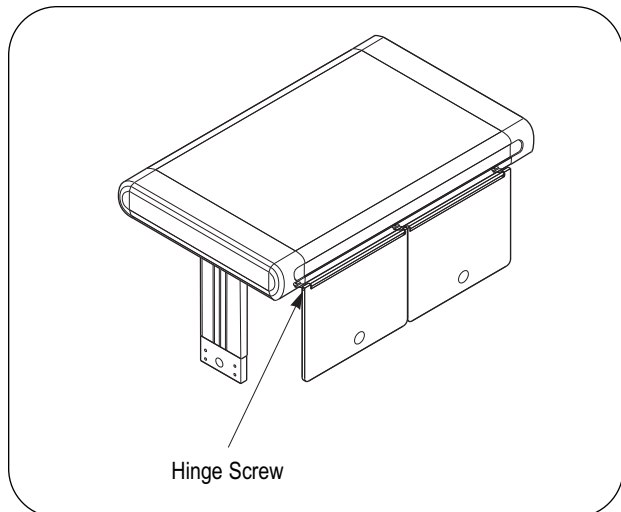


Figure 11. Flip-Up Door – Top View

## DISPLAY SIGN HOLDER

Advertise specials or showcase product with easy-to-use signs. To install sign holder, follow these steps.

1. Attach strap clip brackets (Figure 12) to sign holder brackets with screws and cap nuts. Two hole positions on the sign holder brackets provide angle adjustment. Select the desired holes for placement on either a slant or horizontal unit. (See Figure 13.)
2. Position the straps on top of the warmer and carefully snap them over the top of the bull nose trim piece on the front and rear of the warmer. (See Figure 14.)
3. Insert a thin sign panel behind the clear panel provided. Maximum total thickness is 1/4" (6 mm).

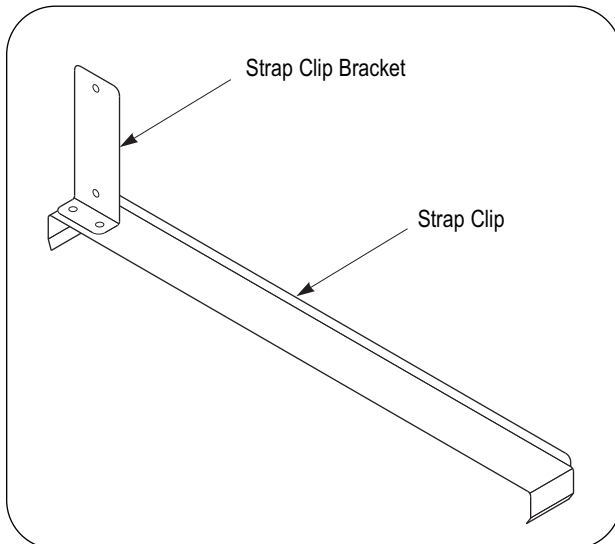


Figure 12. Strap Clip Assembly

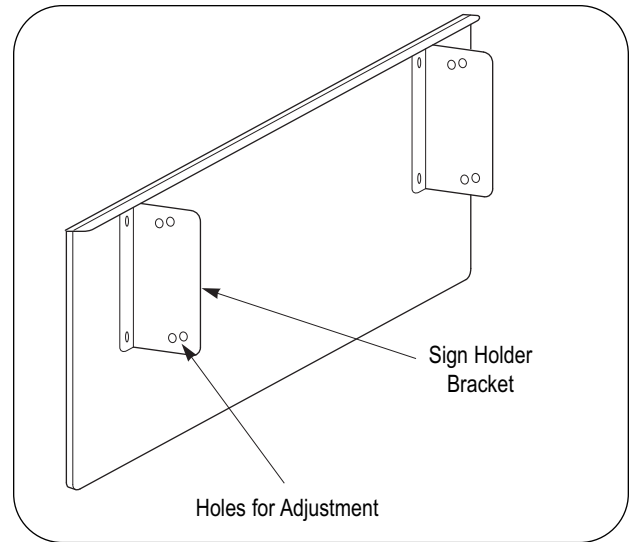


Figure 13. Sign Holder Assembly

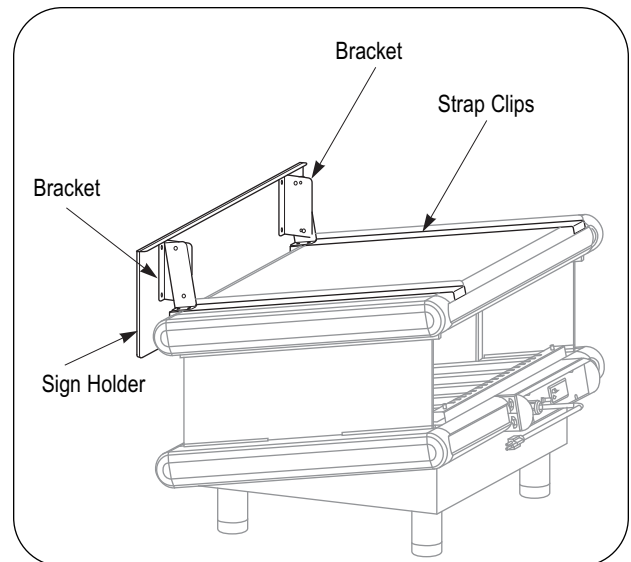


Figure 14. Display Sign Holder

# TROUBLESHOOTING

## ⚠ WARNINGS

To avoid any injury, turn the power switch OFF, unplug the unit from the power source and allow to cool completely before performing any maintenance or cleaning.

## ⚠ WARNINGS

This product has no “user” serviceable parts. To avoid damage to the unit or injury to personnel, use only Authorized Hatco Service Agents and Genuine Hatco Parts when service is required.

SYMPTOM	PROBABLE CAUSE	CORRECTIVE ACTION
Light bulb not working.	Light bulb defective. Power turned OFF.	Replace light bulb. Turn unit ON.
Food cavity not hot enough.	Temperature control set too low. Heating element(s) not working. Temperature control not working properly. Excessive air movement around unit.	Adjust temperature control to a higher setting. Contact Authorized Service Agent or Hatco for assistance. Contact Authorized Service Agent or Hatco for assistance. Restrict or redirect air movement (i.e. air conditioning duct or exhaust fan) away from unit or install flip-up doors on unit to contain heat and block air flow.
Food cavity too hot.	Temperature control set too high. Temperature control not working properly.	Adjust temperature control to a lower setting. Contact Authorized Service Agent or Hatco for assistance.
No heat, but light works.	Temperature control set too low. Heating element(s) not working. Temperature control not working properly.	Adjust temperature control to a higher setting. Contact Authorized Service Agent or Hatco for assistance. Contact Authorized Service Agent or Hatco for assistance.
No heat and no light.	Unit turned OFF. Circuit breaker tripped.	Turn unit ON. Reset circuit breaker. If circuit breaker continues to trip contact Authorized Service Agent or Hatco for assistance.





# HATCO LIMITED WARRANTY

## 1. PRODUCT WARRANTY

Hatco warrants the products that it manufactures (the "Products") to be free from defects in materials and workmanship, under normal use and service, for a period of one (1) year from the date of purchase when installed and maintained in accordance with Hatco's written instructions or 18 months from the date of shipment from Hatco. Buyer must establish the product's purchase date by returning Hatco's Warranty Registration Card or by other means satisfactory to Hatco in its sole discretion.

Hatco warrants the following Product components to be free from defects in materials and workmanship from the date of purchase (subject to the foregoing conditions) for the period(s) of time and on the conditions listed below:

**a) One (1) Year Parts and Labor PLUS One (1) Additional Year Parts-Only Warranty:**

Toaster Elements (metal sheathed)  
Drawer Warmer Elements (metal sheathed)  
Drawer Warmer Drawer Rollers and Slides  
Food Warmer Elements (metal sheathed)  
Display Warmer Elements (metal sheathed air heating)  
Holding Cabinet Elements (metal sheathed air heating)

**b) One (1) Year Parts and Labor PLUS Four (4) Years Parts-Only Warranty on pro-rated terms that Hatco will explain at Buyer's request:**

3CS and FR Tanks

**c) One (1) Year Parts and Labor PLUS Nine (9) Years Parts-Only Warranty on:**

Electric Booster Heater Tanks  
Gas Booster Heater Tanks

THE FOREGOING WARRANTIES ARE EXCLUSIVE AND IN LIEU OF ANY OTHER WARRANTY, EXPRESSED OR IMPLIED, INCLUDING BUT NOT LIMITED TO ANY IMPLIED WARRANTY OF MERCHANTABILITY OR FITNESS FOR A PARTICULAR PURPOSE OR PATENT OR OTHER INTELLECTUAL PROPERTY RIGHT INFRINGEMENT. Without limiting the generality of the foregoing, SUCH WARRANTIES DO NOT COVER: Coated incandescent light bulbs, fluorescent lights, lamp warmer heat bulbs, glass components, Product failure in booster tank, fin tube heat exchanger, or other water heating equipment, caused by liming, sediment buildup, chemical attack or freezing, Product misuse, tampering or misapplication, improper installation or application of improper voltage.

## 2. LIMITATION OF REMEDIES AND DAMAGES

Hatco's liability and Buyer's exclusive remedy hereunder will be limited solely, at Hatco's option, to repair or replacement by a Hatco-authorized service agency (other than where Buyer is located outside of the United States, Canada, United Kingdom or Australia in which case Hatco's liability and Buyer's exclusive remedy hereunder will be limited solely to replacement of part under warranty) with respect to any claim made within the applicable warranty period referred to above. Hatco reserves the right to accept or reject any such claim in whole or in part. Hatco will not accept the return of any Product without prior written approval from Hatco, and all such approved returns shall be made at Buyer's sole expense. HATCO WILL NOT BE LIABLE, UNDER ANY CIRCUMSTANCES, FOR CONSEQUENTIAL OR INCIDENTAL DAMAGES, INCLUDING BUT NOT LIMITED TO LABOR COSTS OR LOST PROFITS RESULTING FROM THE USE OF OR INABILITY TO USE THE PRODUCTS OR FROM THE PRODUCTS BEING INCORPORATED IN OR BECOMING A COMPONENT OF ANY OTHER PRODUCT OR GOODS.

## HATCO AUTHORIZED PARTS DISTRIBUTORS

### ALABAMA

Jones McLeod Appl. Svc.  
Birmingham 205-251-0159

### ARIZONA

Auth. Comm. Food Equip.  
Phoenix 602-234-2443

Byassee Equipment Co.  
Phoenix 602-252-0402

### CALIFORNIA

Industrial Electric  
Commercial Parts & Service, Inc.  
Huntington Beach 714-379-7100

Chapman Appl. Service  
San Diego 619-298-7106

P & D Appliance  
Commercial Parts & Service, Inc.  
S. San Francisco 650-635-1900

### COLORADO

Hawkins Commercial Appliance  
Englewood 303-781-5548

### FLORIDA

Whaley Foodservice Repair  
Jacksonville 904-725-7800

Nass Service Co., Inc.  
Orlando 407-425-2681

B.G.S.I.  
Pompano Beach 954-971-0456

Comm. Appliance Service  
Tampa 813-663-0313

### GEORGIA

TWC Services  
Smyrna 770-438-9797

Heritage Service Group  
Norcross 866-388-9837

Southeastern Rest. Svc.  
Norcross 770-446-6177

### HAWAII

Burney's Comm. Service, Inc.  
Honolulu 808-848-1466

Food Equip Parts & Service  
Honolulu 808-847-4871

### ILLINOIS

Parts Town  
Lombard 708-865-7278

Eichenauer Elec. Service  
Decatur 217-429-4229

Midwest Elec. Appl. Service  
Elmhurst 630-279-8000

Cone's Repair Service  
Moline 309-797-5323

### INDIANA

GCS Service  
Indianapolis 317-545-9655

### IOWA

Electric Motor Service Co.  
Davenport 319-323-1823

Goodwin Tucker Group  
Des Moines 515-262-9308

### KENTUCKY

Certified Service Center  
Lexington 859-254-8854

Certified Service Center  
Louisville 502-964-7007

### LOUISIANA

Chandlers Parts & Service  
Baton Rouge 225-272-6620

### MARYLAND

Electric Motor Service  
Baltimore 410-467-8080

GCS Service  
Silver Spring 301-585-7550

### MASSACHUSETTS

Ace Service Co., Inc.  
Needham 781-449-4220

### MICHIGAN

Commercial Kitchen Service  
Bay City 517-893-4561

Bildons Appliance Service  
Detroit 248-478-3320

Midwest Food Equip. Service  
Grandville 616-261-2000

### MINNESOTA

GCS Service  
Minneapolis 612-546-4221

### MISSOURI

General Parts  
Kansas City 816-421-5400

Commercial Kitchen Services  
St. Louis 314-890-0700

Kaemmerlen Parts & Service  
St. Louis 314-535-2222

### NEBRASKA

Anderson Electric  
Omaha 402-341-1414

### NEVADA

Burney's Commercial  
Las Vegas 702-736-0006

Hi. Tech Commercial Service  
N. Las Vegas 702-649-4616

### NEW JERSEY

Jay Hill Repair  
Fairfield 973-575-9145

Service Plus  
Flanders 973-691-6300

### NEW YORK

Acme American Repairs, Inc.  
Brooklyn 718-456-6544

Alpro Service Co.  
Brooklyn 718-386-2515

Appliance Installation  
Buffalo 716-884-7425

Northern Parts Dist.  
Plattsburgh 518-563-3200

J.B. Brady, Inc.  
Syracuse 315-422-9271

### NORTH CAROLINA

Authorized Appliance  
Charlotte 704-377-4501

### OHIO

Akron/Canton Comm. Svc. Inc.  
Akron 330-753-6635

Certified Service Center  
Cincinnati 513-772-6600

Commercial Parts and Service  
Columbus 614-221-0057

Electrical Appl. Repair Service  
Independence 216-459-8700

E. A. Wichman Co.  
Toledo 419-385-9121

### OKLAHOMA

Hagar Rest. Service, Inc.  
Oklahoma City 405-235-2184

Krueger, Inc.  
Oklahoma City 405-528-8883

### OREGON

Ron's Service, Inc.  
Portland 503-624-0890

### PENNSYLVANIA

Elmer Schultz Services  
Philadelphia 215-627-5401

FAST Comm. Appl. Service  
Philadelphia 215-288-4800

Appliance Installation & Service  
Pittsburgh 412-809-0244

K & D Service Co.  
Harrisburg 717-236-9039

Electric Repair Co.  
Reading 610-376-5444

### RHODE ISLAND

Marshall Electric Co.  
Providence 401-331-1163

### SOUTH CAROLINA

Whaley Foodservice Repair  
W. Columbia 803-791-4420

### TENNESSEE

Camp Electric  
Memphis 901-527-7543

### TEXAS

GCS Service  
Fort Worth 817-831-0381

Armstrong Repair Service  
Houston 713-666-7100

Commercial Kitchen Repair Co.  
San Antonio 210-735-2811

### UTAH

La Monica's Rest. Equip. Service  
Murray 801-263-3221

### VIRGINIA

Daubers  
Norfolk 757-855-4097

Daubers  
Springfield 703-866-3600

### WASHINGTON

Restaurant Appl. Service  
Seattle 206-524-8200

### WISCONSIN

A.S.C., Inc.  
Madison 608-246-3160

A.S.C., Inc.  
Milwaukee 414-543-6460

## CANADA

### ALBERTA

Key Food Equipment Service  
Edmonton 780-438-1690

### BRITISH COLUMBIA

Key Food Equipment Service  
Vancouver 604-433-4484

### MANITOBA

Air Rite, Inc.  
Winnipeg 204-895-2300

### NEW BRUNSWICK

EMR Services, Ltd.  
Moncton 506-855-4228

### ONTARIO

R.G. Henderson Ltd.  
Toronto 416-422-5580

Choquette CKS  
Ottawa 613-739-8458

### QUEBEC

Choquette CKS  
Montreal 514-722-2000

Choquette CKS  
Québec City 418-681-3944

## HATCO CORPORATION

P.O. Box 340500, Milwaukee, WI 53234-0500 U.S.A.

(800) 558-0607 (414) 671-6350

Parts & Service Fax (800) 690-2966 Int'l. Fax (414) 671-3976

www.hatcocorp.com