



EB6TFX - FilterFlow Counter-top Automatic Fill Twin-Tap Water Boiler - W 250 mm - 6.0 kW

The FilterFlow Automatic Fill Electric Twin-Tap Water Boiler is perfect for busy periods, such as when a coach load of holiday makers pull up outside your cafe and they all want hot drinks.

- ✓ Twin tap version, ideal for the busiest periods
- ✓ Narrow 250mm footprint saves valuable counter space without compromising capacity or performance
- ✓ Built-in water filtration system improves water quality and reduces scale build-up. High volume, easy change FilterFlow cartridge
- ✓ Easily operated from a large, colour touchscreen display. Menu navigation is quick and easy with the temperature and timer simple to adjust
- ✓ Eco setting reduces the volume of boiling water by 50% for quieter periods. The intelligent predictive eco setting learns usage patterns and switches between eco mode and standard mode to deliver the required hot water output in the most economical way
- ✓ 7-day timer allows the boiler to be programmed to switch off overnight or at weekends to conserve energy
- ✓ Enhanced diagnostics identify possible causes. The on screen diagnostic information will enable the engineer to identify the parts needed and repair your water boiler at first visit

Specifications

Summary

Range Name	FilterFlow
Power Type	Electric
Unit Type	Counter-top
Available in UK Only	No
UK Warranty	2 Years Parts and Labour Warranty
Export Warranty	Contact your local dealer
GTIN Code	5056105105572

Power and Performance

Hot and Cold Water Output	No
Rapid Draw Off Litres	18.0
Total Power kW	6.0
Temperature Range °C	70 - 98
IP Rating	IP23
Rapid Draw Off Cups	90
Hourly Output Litres	60
Hourly Output Cups	300
Temperature Control	Electronic

Key Specifications

Capacity Litres	22.0
Outlet	Twin-tap
Dispense Lock	No
WRAS Approved	Yes

Weights and Dimensions

Unit Height (External) mm	685
Unit Width (External) mm	250
Unit Depth (External) mm	525
Net Weight Kg	16.2

Supply Connections

Requires Installation	Yes
UK 3 Pin Plug	No
Requires Hardwiring	Yes
Electrical Supply Rating Watts	6,000
Single Phase Amps	26.0
Single Phase Voltage	230
Water Connection BSPT	3/4"
Water Connection Pressure Bar	6.0

Shipping

Packed Weight Kg	19
Packed Height cm	53
Packed Width cm	78.5
Packed Depth cm	36.6

Available Accessories

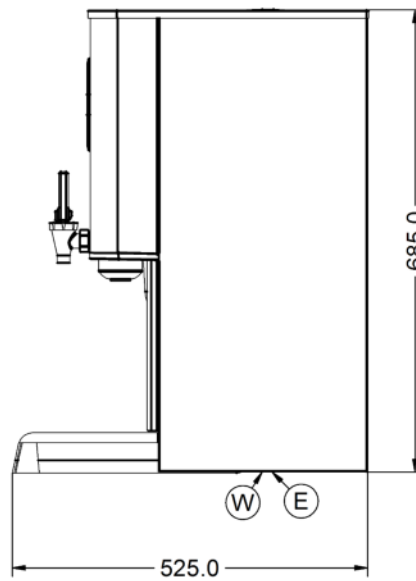
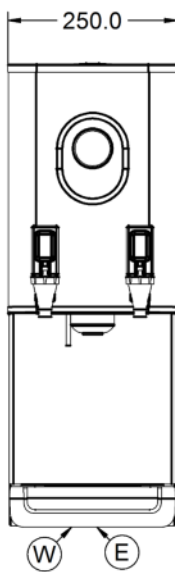
BR56

EB6FX WALL BRACKET

Available Accessories

DP10	DESCALER POWDER
FC04	EBFX WATER FILTER - FROM 2015

Technical Picture



Lincat Limited

Whisby Road,
Lincoln, LN6 3QZ,
United Kingdom

Company No: 2175448

A member company of



Customer Care

Tel: +44 1522 875500
Email: care@lincat.co.uk

Export Customers

Tel: +44 1522 503250
Email: export@lincat.co.uk

Opening Hours

Monday – Friday:
8.30am – 5pm