
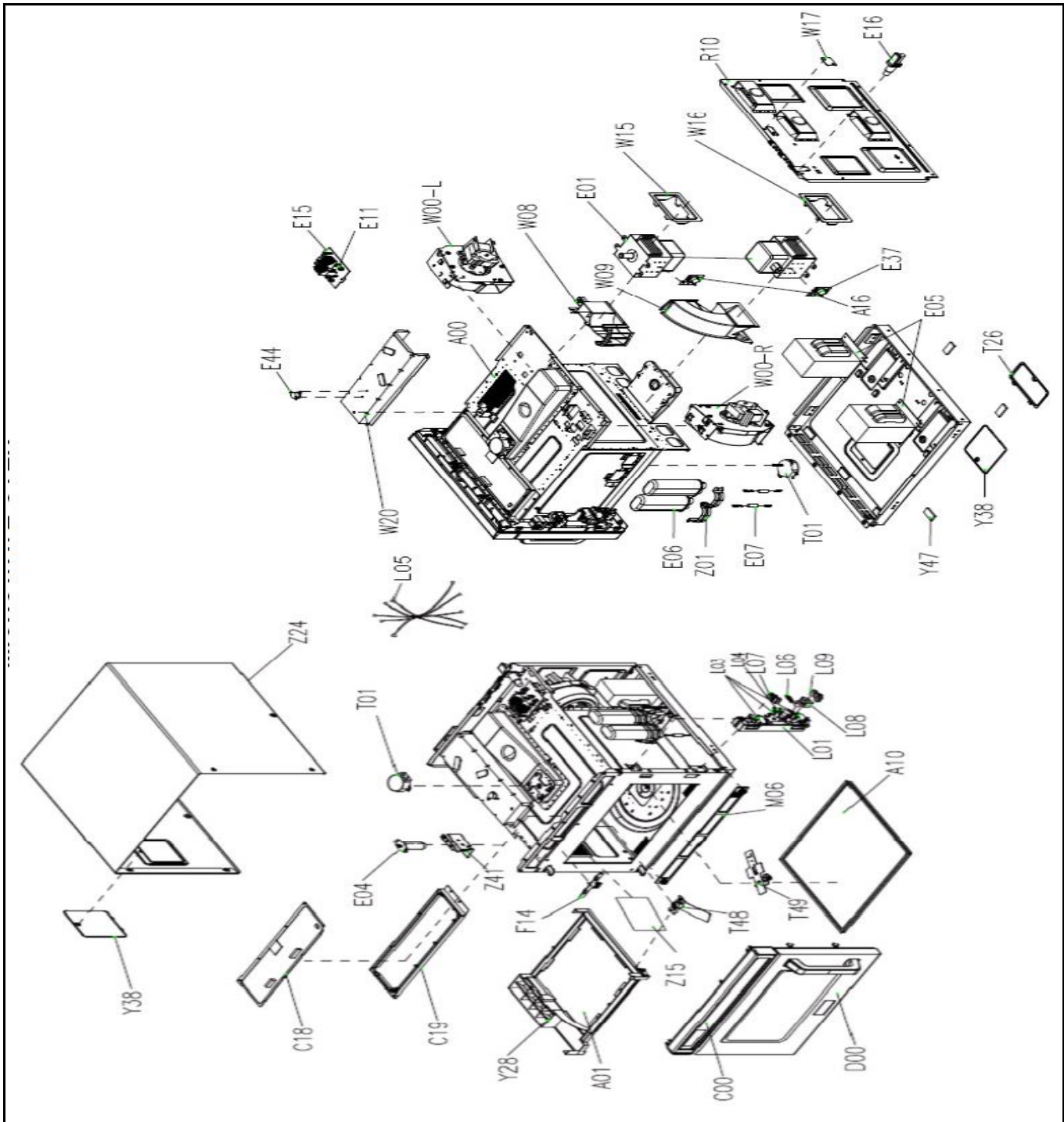


Drawing


 <p><b>Hendi B.V.</b> Steenoven 21 3911 TX Rhenen The Netherlands</p>	Batch #	Appliance part#
	660840 and up	281376
	Description	
	Microwave Programmable via USB 1800W	

Date	21-08-2018	Revision #	1.0
Revision	First Bill of Materials (BOM)		

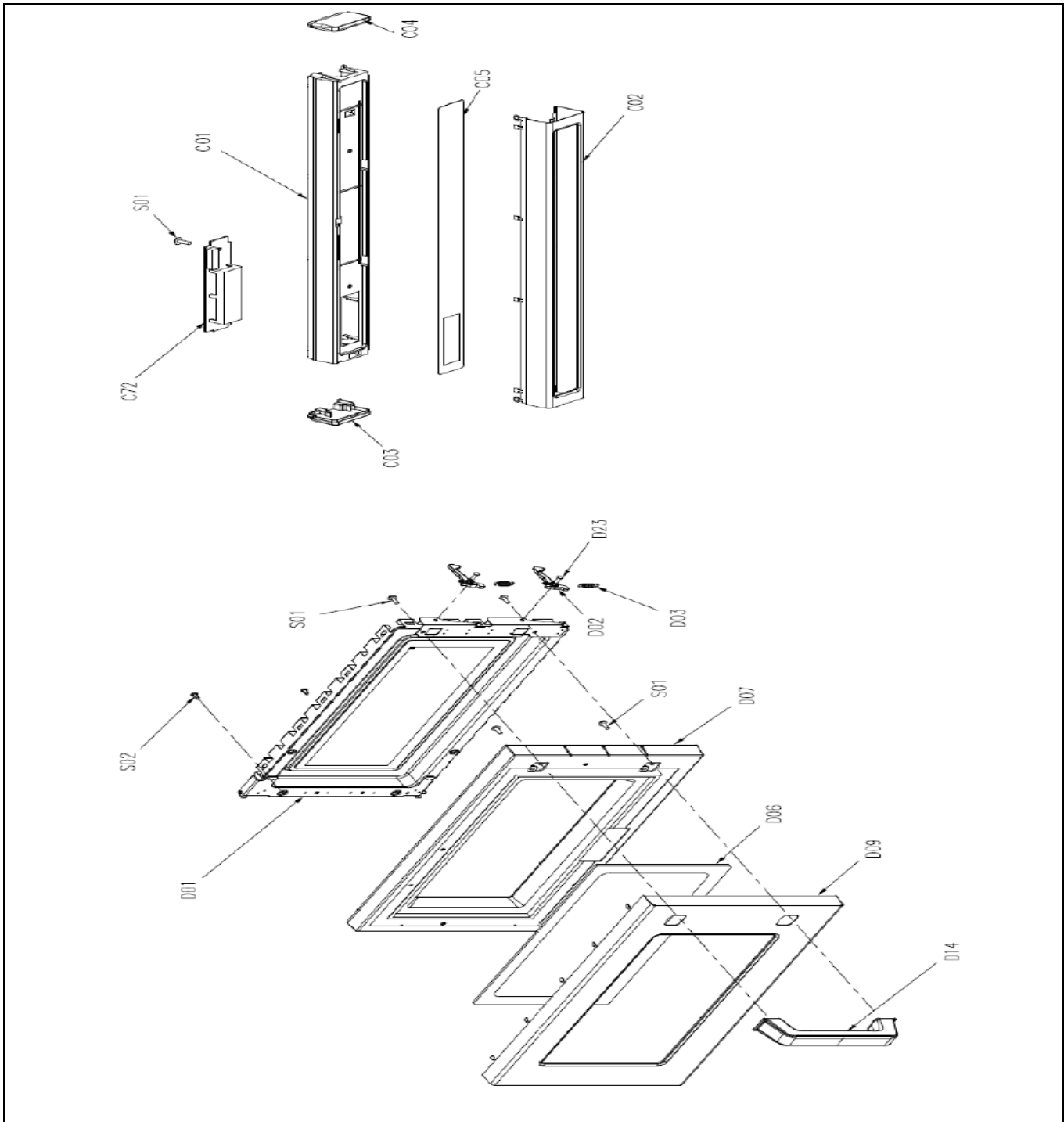





### Drawing

 <p><b>Hendi B.V.</b> Steenoven 21 3911 TX Rhenen The Netherlands</p>	<b>Batch #</b>	<b>Appliance part#</b>
	660840 and up	<b>281376</b>
	<b>Description</b>	
	Microwave Programmable via USB 1800W	

<b>Date</b>	21-08-2018	<b>Revision #</b>	1.0
<b>Revision</b>	First Bill of Materials (BOM)		



**Bill of materials (BOM)**

 <b>HENDI</b> <small>FOOD SERVICE EQUIPMENT</small>  <b>Hendi B.V.</b> Steenoven 21 3911 TX Rhenen The Netherlands	<b>Batch #</b>	<b>Appliance part#</b>
	660840 and up	<b>281376</b>
	<b>Description</b>	
	Microwave Programmable via USB 1800W	


<b>Date</b>	21-08-2018	<b>Revision #</b>	1.0
<b>Revision</b>	First Bill of Materials (BOM)		

Item	Description	Part#	Quantity	Remark	Picture
C01	Control Panel Housing	nss	1		
C02	Control Panel Housing Cover	nss	1		
C03	Control Panel Housing (Left)	nss	1		
C04	Control Panel Housing (Right)	nss	1		
C05	Membrane Switch	nss	1		
C72	Control PCB	945124	1		
D01	Door Frame	nss	1		
D02	Door Safety Latch	nss	2		
D03	Door Safety Latch Spring	nss	2		
D06	Door Screen	nss	1		
D07	Door Panel	nss	1		
D09	Door Panel Cover	nss	1		
D14	Door Handle	945148	1		
D23	Door Safety Latch Pin	nss	2		
S01	Screw M4X14	n/a			
S02	Screw ST4X8	n/a			

n/a -> not available

nss -> not sold separately

### Circuit diagram

 <p><b>Hendi B.V.</b> Steenoven 21 3911 TX Rhenen The Netherlands</p>	<b>Batch #</b>	<b>Appliance part#</b>
	660840 and up	<b>281376</b>
	<b>Description</b>	
	Microwave Programmable via USB 1800W	

<b>Date</b>	21-08-2018	<b>Revision #</b>	1.0
<b>Revision</b>	First Bill of Materials (BOM)		

