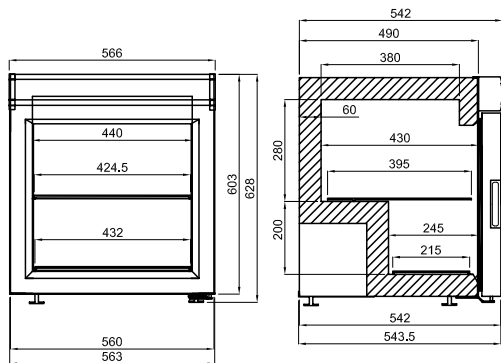


Counter Top Freezer

CTF70



Customised graphics available (P.O.A)



FEATURES

- Pre-painted white steel exterior & interior
- Triple glazed door with heater
- Fan cooled condenser
- 2 adjustable feet
- 2 removable shelves
- Internal LED light
- Illuminated white display panel; graphics can be customised (P.O.A)
- Replaceable door gasket

TECHNICAL SPECIFICATIONS

Controller:	Manual thermostat with digital temperature display
Cooling:	Static
Defrost:	Manual
Refrigerant:	R290
Climate Class:	4
Temperature Range:	-18°C ~ -25°C
Decibels:	45dBA
Power Supply:	13amp

MODEL	GROSS CAPACITY	EXTERNAL DIMENSIONS (H x W x D mm)	POWER CONSUMPTION	DECIBELS	WEIGHT (kg)	RRP
CTF70	73L	628 x 566 x 544	215W	45dBA	32	

