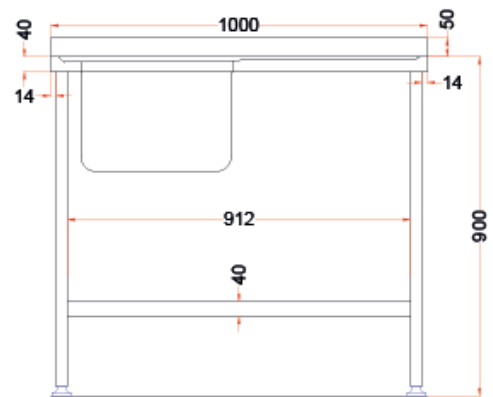
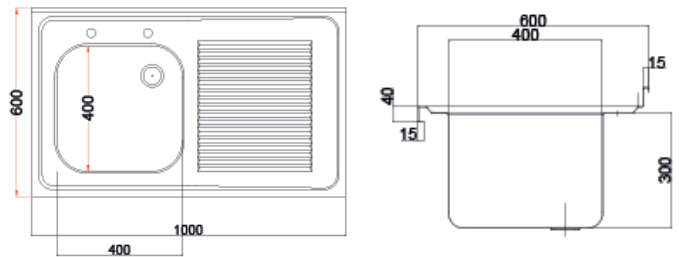




STAINLESS STEEL SINK - DR360 FLATPACK



DIMENSIONS



This 1000mm wide flat-packed sink from Holmes is easy to assemble, has a left side bowl and right side drainer, ideal for busy commercial kitchens. The sink is constructed from commercial grade 304 stainless steel, which offers high resistance to corrosion and staining as well as being easy to clean. The sink is ideal for creating practical and hygienic washing areas in your kitchens, and offers extra storage space in the form of a strong undershelf.

TECHNICAL DATA

Unpacked height (mm)	900 + 50 upstand
Unpacked width (mm)	1000
Unpacked depth (mm)	600
Weight (kg)	11.5
Material top	SAE grade 304; EN 1.4301, X5CrNi18-10
Material sub-top	SAE grade 430; EN 1.4016, X6Cr17
Surface finish	Satin
Type of Mounting	Floor
Feet	Adjustable

Property of Holmes