



Installation, Operating and Servicing Instructions

Opus 800 Electric Griddles OE8205, OE8206

Please make a note of your product details for
future use:

Date Purchased: _____

Model Number: _____

Serial Number: _____

Dealer: _____

Opus **800**

CONTENTS

Important Information	2
Warnings and Precautions	3
Technical Data	3
Checklist of Enclosures	3
Installation and Commissioning	4-5
Operating Instructions	5-6
Cleaning	6
Servicing, Maintenance and Component Replacement	7-8
Fault Finding	8
Spare Parts List	8
Accessories	8
Service Information and Guarantee	9

IMPORTANT INFORMATION



Read these instructions carefully before using this product, paying particular attention to all sections that carry warning symbols, caution symbols and notices. Ensure that these are understood at all times.



WARNING!

This symbol is used whenever there is a risk of personal injury.



CAUTION!

This symbol is used whenever there is a risk of damaging your Lincat product.



NOTE:

This symbol is used to provide additional information, hints and tips.

KEEP THIS MANUAL FOR FUTURE REFERENCE

WARNINGS AND PRECAUTIONS



This appliance must be installed, commissioned and serviced by a qualified person in accordance with national and local regulations in force in the country of installation.

If the supply cord is damaged, it must be replaced by the manufacturer, its service agent or similarly qualified person.

Ensure that the plug/socket is accessible at all times.

Strip plastic coating and clean the appliance before use.

During operation parts may become hot - avoid accidental contact.

Disconnect this appliance before servicing, maintenance or cleaning.

This appliance should only be used by a qualified adult.

TECHNICAL DATA

	OE8205	OE8206
Height (mm)	420	
Width (mm)	600	900
Depth (mm)	800	
Weight (kg)	87	116
Total power rating (kW)	8.0	12.0
Supply 1N ~+E 230V 50-60Hz Current (A)	34.8	52.2
Supply 3N~+E 400V 50-60Hz Current (A)	L1 17.4 L2 17.4 L3 N/A	L1 17.4 L2 17.4 L3 17.4

CHECK LIST OF ENCLOSURES

Warranty card
Instructions manual
Plate scraper

INSTALLATION AND COMMISSIONING

This product is heavy; prior to installation a handling assessment should be made.



This appliance must be earthed. An equipotential bonding terminal is provided to allow cross bonding with other equipment.

Connect the terminals as follows:

Green and Yellow wire	Earth	E
Blue wire	Neutral	N
Brown wire	Live	L

Install this appliance on a level surface ensuring all vents are unobstructed. Any partitions, walls or furniture must be of non-combustible material and the appliance must be installed with minimum distances A 100mm B 1000mm – see Fig 1.

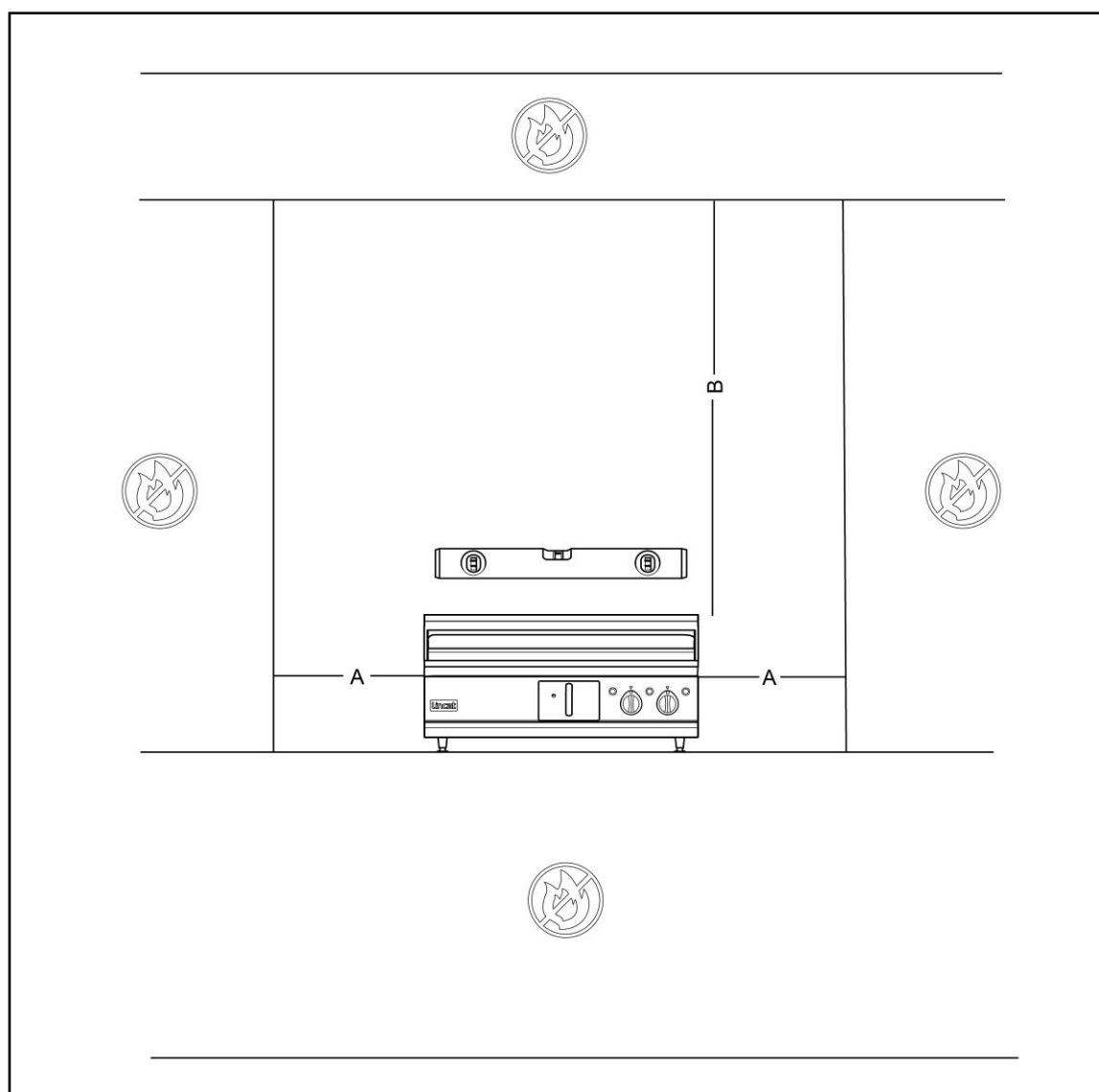


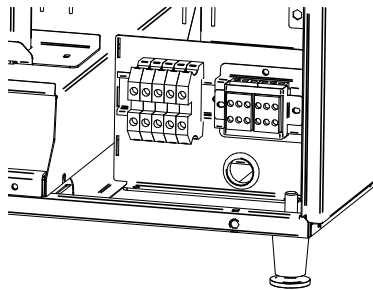
Fig 1

Means of isolation with at least 3mm contact separation in all poles must be incorporated into the fixed wiring of this appliance.

The fixed wiring insulation must be protected by insulated sleeving having a temperature rating of at least 60 Deg C.

Supply cords shall be oil resistant, sheathed flexible cable not lighter than ordinary polychloroprene or equivalent elastomer sheathed cord (code 60245 IEC 57)

The electrical supply cable enters the unit through a cable gland in the rear panel. Connection of the electrical supply cable is to a terminal block behind the fascia panel. The terminal block has a metal cover retained by lock tabs.



OPERATING INSTRUCTIONS

Only qualified or trained personnel should use this appliance.

Griddle plate preparation

Before first use, wipe off protective oil from the plate and wash it down with a warm detergent solution. Prepare the plate as follows: This does not apply to **Chromium Plates**

- Spread approximately 2kg of household salt evenly over the plate. Turn the appliance on full.
- Run the appliance for 30 minutes until the salt discolours.
- Turn the appliance off, allow the plate to cool and discard the salt.
- The plate is now ready for cooking.

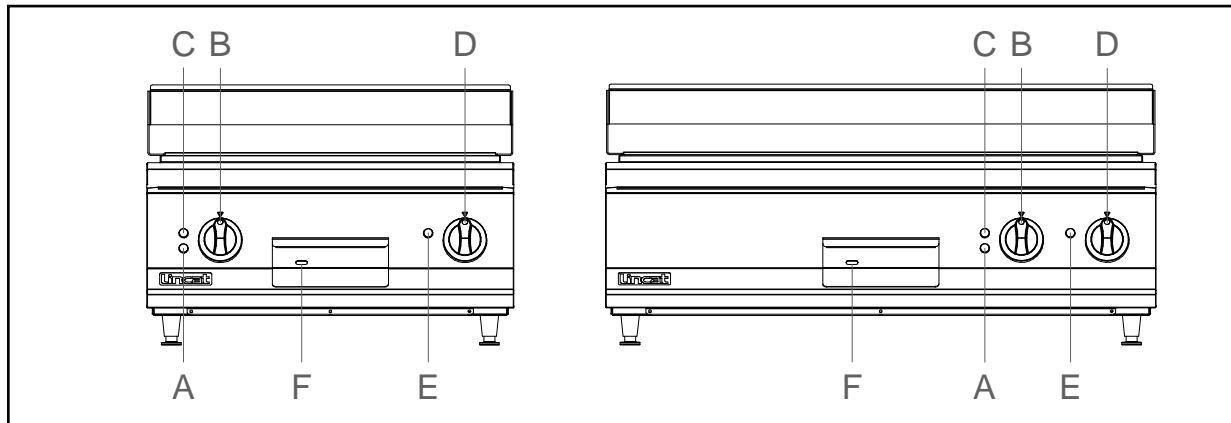


Fig 2

Turn on the power supply, the green neon (A) will illuminate indicating power to the appliance.

The cooking area is separated into two heat zones. Knob (B) controls the LH zone, knob (D) the RH zone. The zones are split 50%-50%, on all models.

Turn the control knobs to the required setting. The amber neons will illuminate. Neon (C) indicates the operation of the LH element, neon (E) that of the RH element. When the set temperature is acquired, the amber neons will extinguish and continue to operate in cycle with the elements.

To shutdown after use, rotate both knobs to the 'Off' position and switch off at the isolating socket.

CLEANING

Your Lincat product has a manufacturer's warranty. This requires you to maintain and care for your product and follow maintenance instructions. If you fail to maintain your unit or damage components Lincat may charge you for a warranty repair. Please check the website for terms and conditions.

Do not use a water jet or steam cleaner, and do not immerse this appliance.



Cleaning of the Griddle Plate

Steel Plate

After cooking, scrape off any residue and wash plate with mild detergent and water. Rinse to remove all traces of detergent. Dry thoroughly and protect with a light coat of cooking oil.

For stubborn deposits use a reputable de-greasing agent.

Do not damage the surface with the edge of the scraper or nicks will form, allowing debris to collect.

Chromium Plate

After cooking, scrape off any residue and wash plate with mild detergent and water.

Rinse to remove all traces of detergent. Dry thoroughly and protect with a light coat of cooking oil.

For stubborn deposits use a fine metal bristled brush to loosen deposits.

Do not damage the surface with the edge of the scraper or nicks will form, allowing debris to collect.

Do not use sharp implements on chromium plates.

Do not use plastic implements for cooking.

General cleaning

Clean all panels with warm water and mild detergent, do not use abrasive materials or cleaners containing chlorine. Dry with a soft cloth.

Empty and clean the fat collection drawer regularly.

SERVICING, MAINTENANCE AND COMPONENT REPLACEMENT

All servicing, maintenance and component replacement on this appliance should be carried out by one of our recommended service engineers.

Neon replacement

Remove the screws beneath the fascia panel, and remove the fascia panel by rotating the bottom forward.

Remove the cables from the neon. Unscrew the neon retaining nut to remove the neon.

Reverse the sequence to fit new neon and reassemble.

Element replacement

Remove the fascia panel as above. Remove the cables including earth tag from the faulty element.

The elements are contained in a cartridge, which may be lowered for access. Unscrew the M8 nuts of the cartridge bolts, this will allow the cartridge to drop out.

Remove the element and fit the replacement, locating carefully in the cartridge. Reposition the cartridge beneath the griddle plate and tighten up the cartridge bolts. Rewire the new element including earth tag.

Refit the fascia.

Thermostat replacement

Remove the relevant control knob. Remove the facia panel as above.

Disconnect the cables from the faulty thermostat; remove the screws which hold the thermostat to the control panel.

Undo the screws that hold the thermostat bulb bracket to the cartridge and remove the thermostat bulb from the bracket.

Fit the new thermostat by reversing the above procedure, ensuring the bulb is pushed fully into the bracket, and the capillary is formed away from the bulb in a smooth radius without kinking.

FAULT FINDING

Please refer to the Service Help Desk number on the final page of this manual.

SPARE PARTS LIST

Part Number	Description	Used on
EL321	2 kW element	OE8205 x 4, OE8206 x 6
KN500	Knob	All
LE38	Leg	
NE46	Green neon	
NE47	Amber neon	
SC01	Scraper	
TH110	Thermostat	All x 2, except chrome units x 4

ACCESSORIES

Part Number	Description	Used on
OA8917	Floor stand	OE8205
OA8914	Floor stand	OE8206
OA8972	Pedestal with doors	OE8205
OA8973	Pedestal with doors	OE8206

SERVICE INFORMATION

For help with the installation, maintenance and use of your **Lincat** equipment, please contact our service department:

☎ UK: 01522 875520

For non-UK customers, please contact your local Lincat dealer

All service work, other than routine cleaning should be carried out by one of our authorised service agents. We cannot accept responsibility for work carried out by other persons.

To ensure your service enquiry is handled as efficiently as possible, please tell us:

- Brief details of the problem
 - Product code
 - Type number
 - Serial number
- } All available on serial plate

Lincat reserve the right to carry out any work under warranty, given reasonable access to the appliance, during normal working hours, Monday to Friday, 08:30 to 17:00.

GUARANTEE

This unit carries a comprehensive UK mainland 2 year warranty. The guarantee is in addition to, and does not diminish your statutory or legal rights.

The guarantee does not cover:

- Accidental damage, misuse or use not in accordance with the manufacturer's instructions
- Consumable items (such as filters, glass, bulbs, slot toaster elements and door seals.)
- Damage due to incorrect installation, modification, unauthorised service work or damage due to scale, food debris build-up, etc.

The manufacturer disclaims any liability for incidental, or consequential damages. Attendance is based on reasonable access to the appliance to allow the authorised technician to carry out the warranty work.

Service calls to equipment under warranty will be carried out in accordance with the conditions of sale. Unless otherwise specified, a maximum of 15 minutes of administrative time, not spent directly carrying out servicing work, is provided for within the warranty. Any requirement for staff attending the call to spend greater time than 15 minutes due to administrative requirements, such as on health and safety risk assessments, will be chargeable at the prevailing rate.