



Electrolux

Plug In SpeedLight with flexible plate, ribbed removable teflon plate

ITEM # _____

MODEL # _____

NAME # _____

SIS # _____

AIA # _____



Electrolux

SpeedLight with flexible plate, ribbed removable teflon plate

Plug In



Plug In

SpeedLight with flexible plate, ribbed removable teflon plate

603877 (HSG3RPRSE1) SpeedLight with Flexible Top ribbed Contact Plate, dark grey - UK

603885 (HSG3RPRSE3) SpeedLight with Flexible Top ribbed Contact Plate, dark grey

Short Form Specification

Item No.

Lid, top plate, back cover and side panels constructed in 304 AISI stainless steel and external high-grade composite material paneling and handle; bottom in AISI 430 stainless steel. Self-adjusting upper plate adapting to food thickness or blockable in fixed position to avoid contact with food. Possibility to manually adjust the maximum movement of the upper plate. Ribbed top contact plate (215x215mm) in aluminum with non-stick coating. Can accept snacks from 10 to 75mm thick. Smooth 4mm thick quartz glass bottom cooking surface (250x250mm). 2 probes independently control the temperature of the top and bottom plates (100 to 250°C). Automatic lid holding and lifting at the end of the cooking cycle via mechanical spring. Ergonomic handle in high-grade composite material for easy movement of the lid. Electronic control with digital 4,3" LED display with countdown and buzzer at the end of the cycle. 800W heating element on the top plate and 800W electrical armored heating elements on the bottom plate. 2x1050 W magnetrons for microwaves. Front air inlet and back outlet for efficient cooling ventilation. Removable top front panel and dismountable top cooking plate for better cleanability. 8 programs selectable on the display: 6 pre-set programs (default parameters, further adjustable by the User): P1 tot. time=30sec. (20 sec. microwaves); P2 tot. time=40sec. (30 sec. microwaves); P3 tot. time=50sec. (40 sec. microwaves); P4 tot. time=60sec. (no microwaves); P5 tot. time=60sec. (40 sec. microwaves); P6 tot. time=70sec. (40 sec. microwaves); the remaining two programs are not pre-loaded and should be programmed by User according to specific menus.

Main Features

- It combines 3 cooking technologies: contact, infrared radiation and microwaves to provide perfectly cooked food, heated to the core.
 - Self adjusting upper plate to heat food adapting to its thickness.
 - The Energy Saving Mode automatically switches to stand-by after an amount of time settled by the operator (from 1 to 60 minutes).
 - Delivered with USB port and wi-fi connection to optimize workflows allowing local and remote interaction (temperatures, countdowns, warnings).
 - Electronic control with digital 4.3" LED display with adjustable brightness.
 - Countdown display and buzzer with adjustable volume at the end of the cycle.
 - 8 programs selectable on the display. The 8 programs can be adjusted by the user. The programmable parameters are:
 - top plate temperature
 - bottom plate temperature
 - total duration of each cycle
 - duration and distribution of microwaves within each cycle.
 - 6 pre-loaded Programs (editable):
 - P1 = 30 sec. (20 sec. MW)
 - P2 = 40 sec. (30 sec. MW)
 - P3 = 50 sec. (40 sec. MW)
 - P4 = 60 sec. (NO MW)
 - P5 = 60 sec. (40 sec. MW)
 - P6 = 70 sec. (40 sec. MW)
 The remaining two are not pre-loaded and should be programmed by Users according to their specific menus.
 - Automatic mechanical lid holding and opening system controlled.
 - IPX4 water resistance certification.
 - Ergonomic handle for easy movement of the lid.
 - Compliant with Regulation (EC) No 1935/2004 and its amendments, Regulation (EC) No 2023/2006 and its amendments.
- ### Construction
- Aluminum ribbed top contact plate (215 x 215 mm) treated with a special non-stick coating.
 - Smooth 4 mm thick quartz glass bottom cooking surface (250 x 250 mm).
 - 2 temperature probes for an independent control of the top and bottom plate temperature.
 - Included accessories: brush, spatula, scraper and degreasing liquid.
 - Independent temperature setting of the top and bottom plates from 100 to 250 °C.
 - Automatic lifting of the lid at the end of the cooking cycle via mechanical spring.
 - Lid, back cover and bottom all in AISI 304 S/S.
 - Lid covers, handle and side panels in high-grade reinforced composite material.
 - 800W heating element on the top plate.
 - 800W electrical armored heating elements on the bottom plate.

APPROVAL: _____



Electrolux

Plug In Speedelight with flexible plate, ribbed removable teflon plate

- 2 x 1050W magnetrons for microwave.
- Front air inlet and back outlet for efficient cooling ventilation allows easy air filters removal and side by side installation.
- Delivered with UK plug. (only for 603877)

Included Accessories

- 1 of Glass saver for Speedelight PNC 653527
- 1 of Cleaning brush for Speedelight PNC 653623
- 1 of Spatula for Speedelight PNC 653625
- 1 of Special scraper for Speedelight PNC 653690
- 1 of Spray bottle (0,5lt) for detergent - Speedelight PNC 653695
- 1 of Removable ribbed teflon plate for Speedelight PNC 653787
- 1 of Speedelight spacer stop kit for rear ventilation PNC 653794

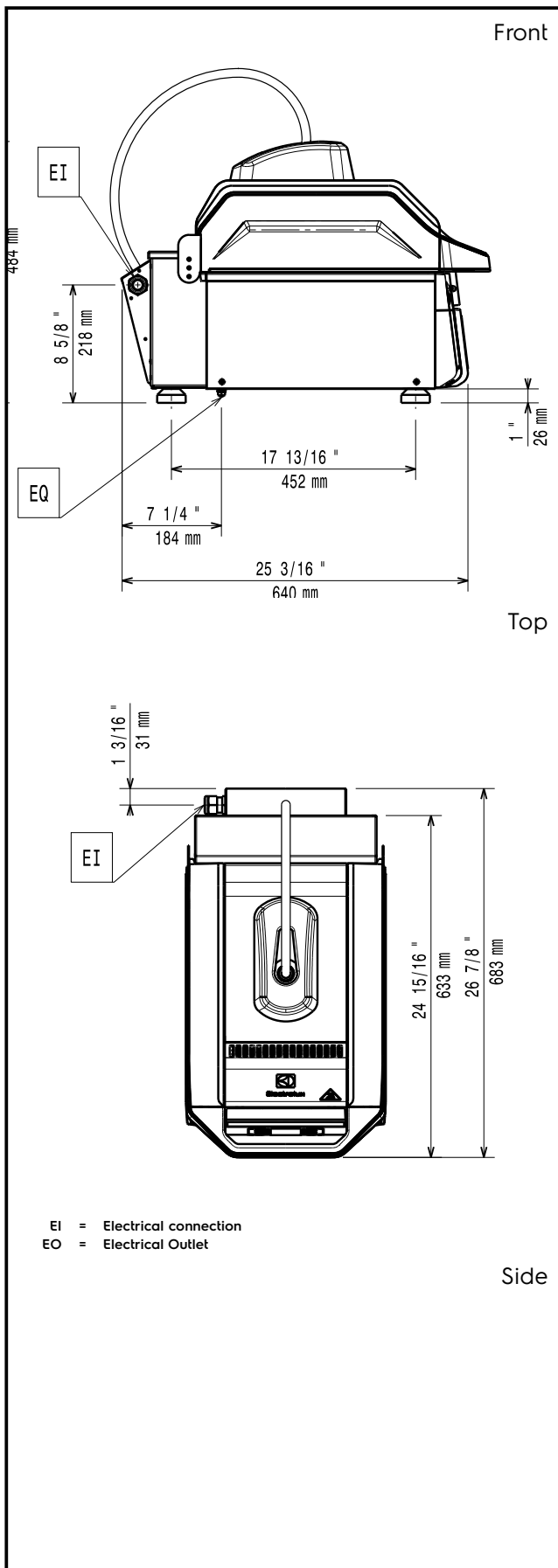
Optional Accessories

- Glass saver for Speedelight PNC 653527
- Cleaning brush for Speedelight PNC 653623
- 4x1lt detergent "rapid grease" - Speedelight PNC 653624
- Spatula for Speedelight PNC 653625
- Special scraper for Speedelight PNC 653690
- Speedelight spacer stop kit for rear/side ventilation PNC 653692
- Speedelight side protection shield for side ventilation PNC 653693
- Spray bottle (0,5lt) for detergent - Speedelight PNC 653695
- Removable ribbed teflon plate for Speedelight PNC 653787
- Removable flat teflon plate for Speedelight PNC 653790
- 4 stainless steel feet - Height = 76 mm for Speedelight PNC 653791
- 4 rubber feet - Height = 40 mm for Speedelight PNC 653793
- Speedelight spacer stop kit for rear ventilation PNC 653794

Plug In
Speedelight with flexible plate, ribbed removable teflon plate

The company reserves the right to make modifications to the products without prior notice. All information correct at time of printing.

2017.02.15



Electric

Supply voltage:

603877 (HSG3RPRSE1) 220-230 V/1 ph/50 Hz

603885 (HSG3RPRSE3) 380-400 V/3N ph/50 Hz

Amps:

603877 (HSG3RPRSE1) 22 A

603885 (HSG3RPRSE3) 9 A

Total Watts:

5 kW

Installation:

Clearance: 190mm from rear vertical panel

Key Information:

External dimensions, Height: 630 mm

External dimensions, Width: 361 mm

External dimensions, Depth: 675 mm

Net weight: 36 kg

Shipping weight: 58 kg

Shipping height: 690 mm

Shipping width: 450 mm

Shipping depth: 780 mm

Shipping volume: 0.24219 m³