

COMBINATION OVEN
PRECIJET SERIES



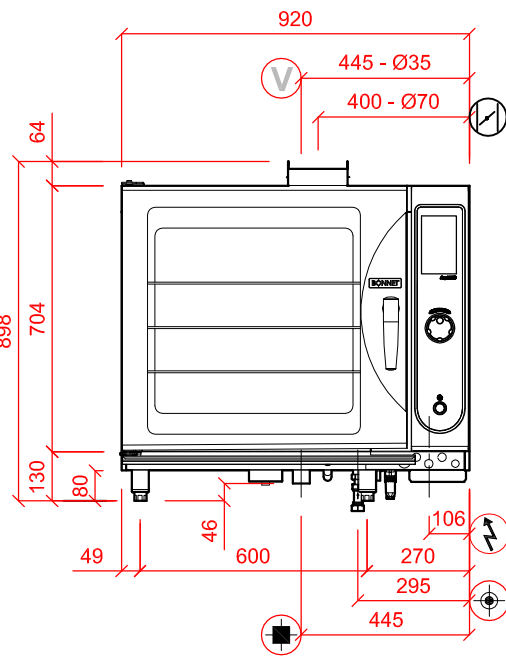
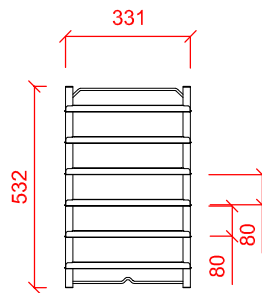
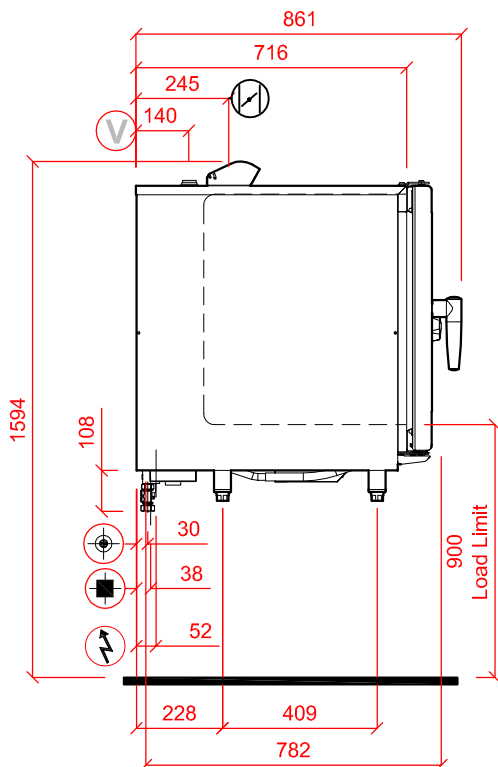
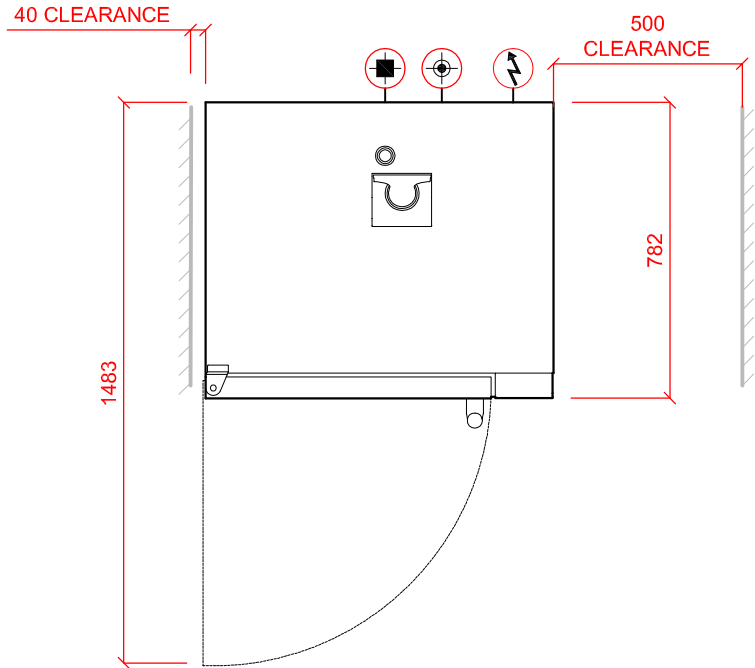
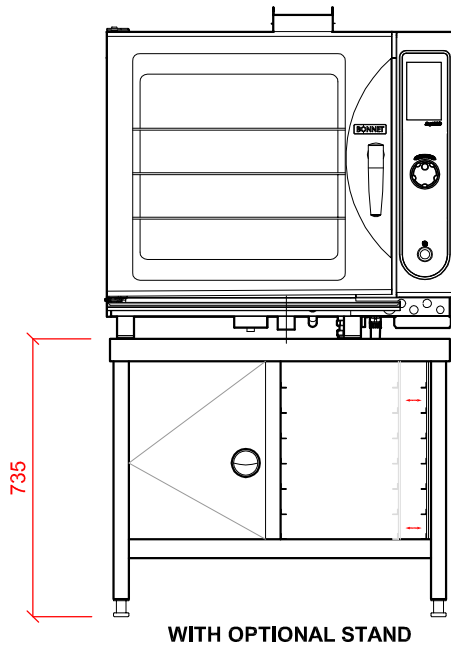
HOBART UK
SOUTHGATE WAY
ORTON SOUTHGATE
PETERBOROUGH
PE2 6GN

TELEPHONE - 0844 888 7777

www.hobartuk.com

Precijet 6 level GN 1/1 Electric Combi Oven

BFPE061/1-11



Water	Drain	Electric Loading	Vent Outlet
3/4" B.S.P. POTABLE WATER, 7.5 LITRE/MIN. 1.5 TO 6.0 BAR PRESSURE. MAX TEMP: 30°C (2 TO 5° CLARK MAX) 3/4" B.S.P. FOR CLEANING. DE-SCALE FUNCTION LIMITATIONS 28°e, 400ppm - MAX WATER HARDNESS PERMITTED. 28°e, 400ppm = MAX 7 HOURS STEAM USAGE PER DAY 14°e, 200ppm = MORE THAN 7 HOURS STEAM USAGE PER DAY	1.1/2" DRAIN CONDENSATE TEMPERATURE APPROX 98°C SPECIAL NOTE: DO NOT INSTALL UNIT CLOSE TO HOT APPLIANCES ON CONTROL PANEL SIDE UNIT SHOULD BE LOCATED UNDER A VENTILATION CANOPY. RECOMMENDED TO BE USED WITH A WATER TREATMENT SYSTEM . WEIGHT 135kg net	9.3kW 400/50/3 FUSE AT 14.3 AMPS/PHASE	35mm Ø RECOMMENDED EXTRACTION FLOW 390m3/hour
RIGHT TO MAKE NECESSARY CHANGES IS RESERVED			



PLOT SCALE: 1:20