



Compact Beverage cabinets

خزائن المشروبات المدمجة

AR دليل الإستخدام

GB Instructions for use

Warning

As the appliance contains a flammable refrigerant, it is essential to ensure that the refrigerant pipes are not damaged.

Standard EN378 specifies that the room in which you install your appliance must have a volume of 1m³ per 8 g of hydrocarbon refrigerant used in the appliances.

The quantity and type of the refrigerant used in your appliance is indicated on the rating plate.

This is to avoid the formation of flammable gas/air mixtures in the room where the appliance is located in the event of a leak in the refrigerant circuit.

WARNING: Keep ventilation openings in the appliance's cabinet or in the built-in structure clear of obstruction.

WARNING: Do not use other **mechanical devices** or other means to accelerate the defrosting process than those recommended by the manufacturer

WARNING: Do not damage the refrigerant system

WARNING: Do not use **electrical appliances** inside the refrigerated storage compartment, unless they are of a type recommended by the manufacturer

WARNING: Do not expose the appliance to rain

WARNING: This appliance is not intended for use by young children or infirm persons unless they have been adequately supervised by a responsible person to ensure

that they can use the appliance safely. Young children should be supervised to ensure that they do not play with the appliance

WARNING: This appliance is not intended for use by persons (including children) with reduced physical, sensory or mental capabilities, or lack experience and knowledge, unless they have been given supervision or instructions concerning use of the appliance by a person responsible for their safety. Children should be supervised to ensure that they do not play with the appliance

WARNING: Do not store explosives, such as aerosol cans with flammable propellants in the unit.

WARNING: Danger risk of fire or explosion if flammable refrigerant are used. To be repaired only by trained personnel.



WARNING: Cleaning and user maintenance shall not be made by children without supervision

Contents

- Before servicing or cleaning the appliance, unplug the appliance from the mains or disconnect the electrical power supply
- If the supply cord is damaged, it must be replaced by the manufacturer, its service agent, or similarly qualified persons in order to avoid a hazard
- **Relevant for Australia:** Supply cord fitted with a plug complies with AS/NZS 3112.
- Frost formation on the interior evaporator wall and upper parts is a natural phenomenon. Therefore, the appliance should be defrosted during normal cleaning or maintenance
- Please note that changes to the appliance construction will cancel all warranty and product liability

Warning	2
Before use	4
Technical data.....	4
Get to know your beverage cooler.....	5
Installation and start-up	6
LED light.....	6
Operation and function	8-9
Change of hinge side.....	10-11
Defrosting, cleaning and maintenance.....	12
Removing the shelves	12
Fault finding.....	13
Warranty, spare parts and service	14
Disposal.....	15

Before use

Before operating your new appliance, please read the following instructions carefully as they contain important information on safety, installation, operation and maintenance. Keep the instructions for future reference. On receipt, check to ensure that the appliance has not been damaged during transport. Transport damage should be reported to the local distributor before the beverage cooler is put into use.

Remove the packaging. Clean the inside of the cabinet using warm water with a mild detergent. Rinse with clean water and dry thoroughly (see cleaning instructions). Use a soft cloth. If the appliance has been laid down during transport, or if it has been stored in cold surroundings (colder than +5°C), it must stabilise in an upright position for at least one hour before being switched on.

Technical data

Wiring and connections in power supply systems must be all applicable (local and national) electrical codes. Consult these codes lengths and sizes prior to cabinet installation.

This device complies with relevant EU directives including Low Voltage Directive 2006/95 EEC, and Electromagnetic Compatibility Directive 2004/108/EC

The socket should be freely accessible.

Connect the appliance only to 220/240 V / 50Hz alternating current via a correctly installed earthed socket.

The socket must be fused with a 10-13 A fuse.

If the appliance is to be operated in a non-European country, check on the rating plate whether the indicated voltage and current type correspond to the values of your mains supply.

Information regarding voltage, current or power are given on the rating plate

The power cord may be replaced by a technician only.

The rating plate provides various technical information as well as type and serial number.

Get to know your beverage cooler

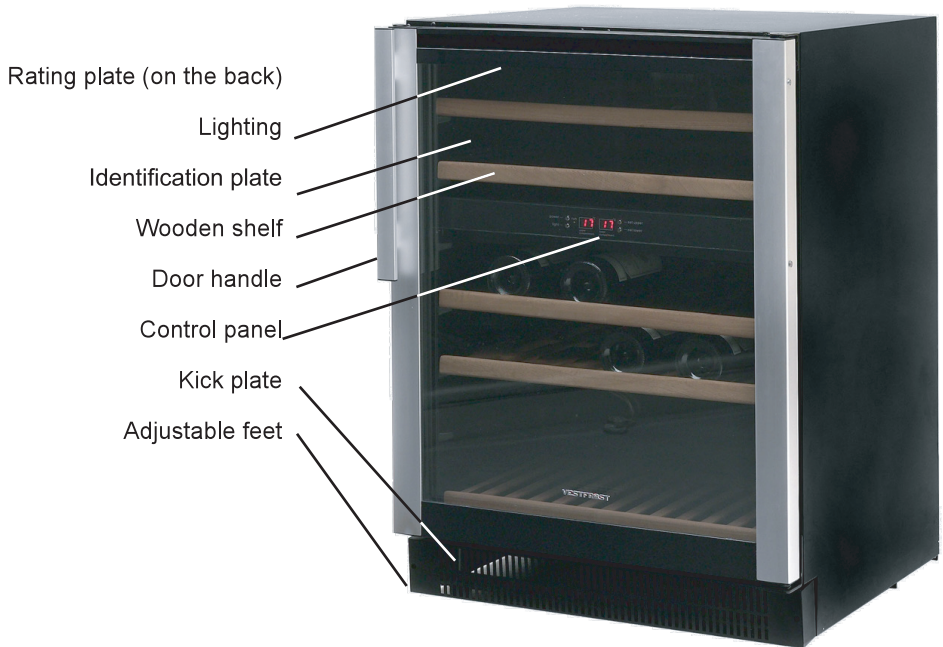


fig.1

Installation and start-up

Placement

For safety and operational reasons, the appliance must not be installed outdoors.

The appliance should be placed on a level surface in a dry, well ventilated room (max. 75% relative air humidity). Never place the appliance close to sources of heat such as cookers or radiators, and avoid placing it in direct sunlight.

Room temperature

The climate class is stated on the rating plate (see page 12).

Note: The appliance operates best at room temperatures between 10° to 32° C

LED light

In order to reduce energy consumption, this beverage cabinet will automatically switch off the LED lights after 10 minutes.

If you want the LED light to remain on continuously, this is possible. Please press and hold the "LIGHT" button for 5 seconds, the display will show "LP". After 4 seconds, the display will revert to normal and the light will remain on until manually switched off.

If you want to revert and conserve energy (recommended), please press and hold the "LIGHT" button for 5 seconds, the display will show "LF". After 4 seconds, the display will revert to normal, and the light will automatically switch off after 10 minutes.

Installation

The surface on which the appliance is to be placed must be level. Do not use a frame or similar. It is important that the appliance be absolutely level. It can be levelled by screwing the adjustable feet at the front of the appliance up or down (fig. 2). Use a spirit level to check that the appliance is absolutely level sideways.

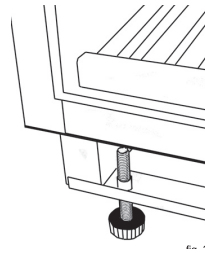


fig. 2

Build-in

W32 is only for free-standing, and sufficient free air around the appliance must be ensured. (fig. 4)

The appliances **W45 and W38** can be installed as built-in units in kitchen elements or be placed free-standing (fig. 3).

At built-in condition ensure sufficient airflow through the kitchen base in front of the appliance. The total cross section of the opening must be as described in fig. 3, and individual air duct clearance must be at least 5 mm.

Along with your new cabinet is a replaceable kick plate which can be fixed with the two screws. These two screws are located in the accessories bag, see figure 2_1



fig. 2_1

If needed there is a kit in the accessories bag, see figure 2_1, for fixing the cabinet up against a table top.

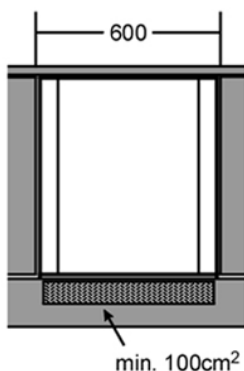
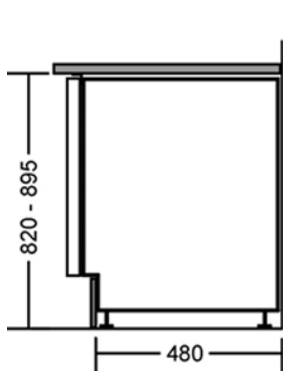


fig. 3

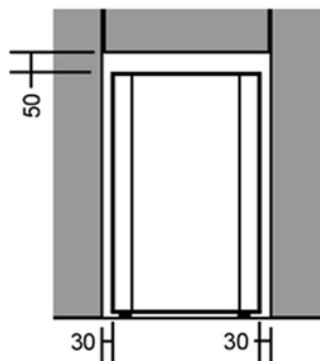


fig. 4

Operation and function W32 and W45

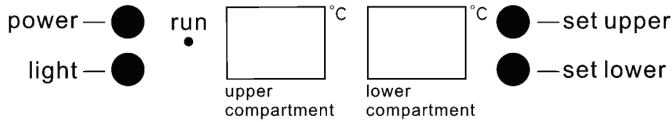


fig. 5

Electronic control

The electronic control ensures that the set temperatures are maintained in the cabinet compartments. This is accomplished by complex control of the refrigerating system, the heating element, and the fan. Following any power failure, the temperature setting is reverted to factory defaults:

Upper compartment: 6°C
Lower compartment: 12°C

The electronic controls have the following functions:

- Temperature setting
- Temperature display
- Automatic defrosting
- High and low temperature alarm
- Light on/off
- Cabinet on/off (push and hold for 3 secs)

Temperature display

The display shows the actual temperature in the compartments. The temperature display has a built-in filter that simulates the actual temperature in the bottles. The displayed temperature is therefore not affected by transient fluctuations in air temperature.

Temperature setting

The temperature is set by using the two buttons on the control panel. By pushing a temperature button, the display changes from actual temperature to set value. By pushing the button repeatedly, the set value scrolls through the available temperature span.

The temperature in the upper compartment is adjustable from 5-10 °C. The temperature in the lower compartment is adjustable from 10-18 °C.

Temperature alarm

If the temperature has deviated 3°C from the chosen set value for at least 1 hour, the display flashes and Lo / actual respectively Hi / actual temperature are alternately shown.

It is recommended that beverage be served at a temperature which is a couple of degrees lower than the desired drinking temperature as the beverage will be warmed slightly when it is poured into the glass.

Operation and function W38

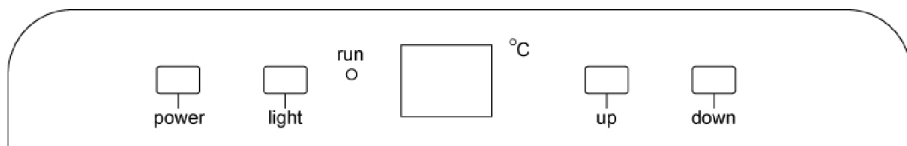


fig. 6

Electronic control

The electronic control ensures that the set temperatures are maintained in the cabinet compartments. This is accomplished by complex control of the refrigerating system, the heating element, and the fan. Following any power failure, the temperature setting is reverted to factory defaults:

Left compartment: 7°C

Right compartment: 12°C

The electronic controls have the following functions:

- Temperature setting
- Temperature display
- Automatic defrosting
- High and low temperature alarm
- Light on/off
- Cabinet on/off (push and hold for 3 secs)

Temperature display

The display shows the actual temperature in the compartments. The temperature display has a built-in filter that simulates the actual temperature in the bottles. The displayed temperature is therefore not affected by transient fluctuations in air temperature.

Temperature setting

The temperature is set using the two buttons on the control panel. When pushing a temperature button, the display changes from actual temperature to set value. After this, it is possible to change the set value.

Up = temperature up

Down = temperature down

The temperature in both compartments is adjustable from 5-18 degree Celcius.

The new set value is automatically stored after 5 seconds of inactivity and the display switches back and shows the actual temperature again.

Temperature alarm

If the temperature has deviated 3°C from the chosen set value for at least 1 hour, the display flashes and Lo / actual respectively Hi / actual temperature are alternately shown.

It is recommended that beverage be served at a temperature which is a couple of degrees lower than the desired drinking temperature as the beverage will be warmed slightly when it is poured into the glass.

Change of hinge side - W32

The door can be changed from right-hinged to left-hinged and vice versa as follows:

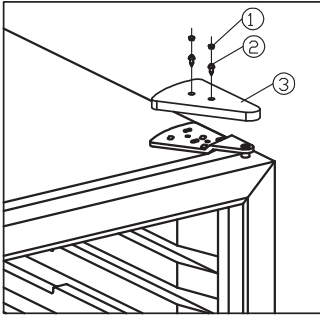


Abb. 7.1

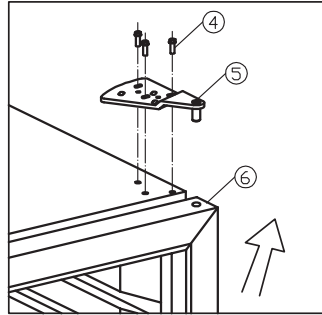


Abb. 7.2

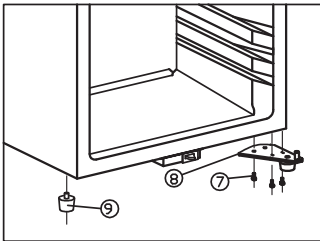


Abb. 7.3

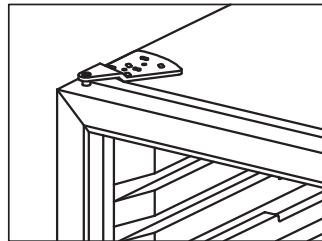


Abb. .4

1. Rubber cover 2. Screw 3. Decorative cover 4 & 7 .Screw
5. Top hinge module 6.Door 8.Lower hinge module-Left 9.Cabinet's leg long

- Pull out the screw covers and unscrew the decorative cover. See fig. 7.1
- While holding the door firmly, loosen and remove the top hinge, lift up and remove the door. See fig. 7.2
- Unscrew the lower hinge(8)
- Remove the long cabinet leg (9) on the left side, and shift it to the right end side. See fig. 7.3
- Install the lower hinge and tie it with the bolts.
- Install the door on the axe of lower hinge (8) the same way it was removed, screw back the top hinge on the left.
- Fix back the decorative cover and rubber cover.

Change of hinge side - W45

The door can be changed from right-hinged to left-hinged and vice versa as follows:

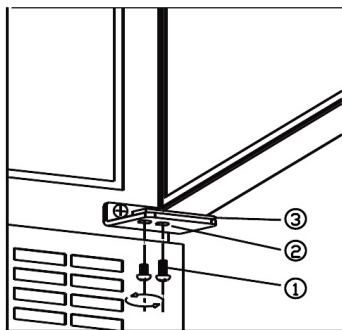


fig. 8.1

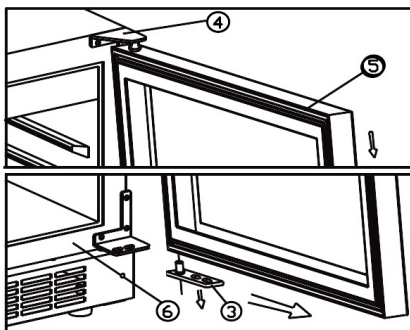


fig. 8.2

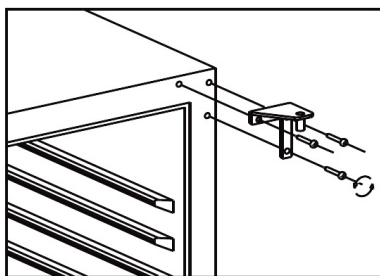


fig. 8.3

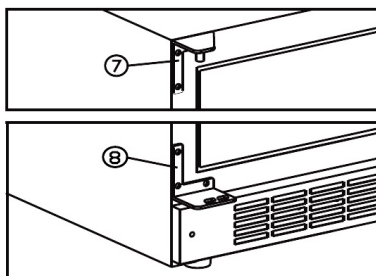


fig. 8.4

1) Screw 2) Bottom hinge, right 3) Door pin 4) Top hinge, right 5) Door
6) Cabinet 7) Top hinge, left 8) Bottom hinge, left

- Ensure that the cabinet is not connected to the mains and place the cabinet on the back
- Dismount the screws (1) SUPPORT THE DOOR! See fig. 8.1
- Dismount the door by pulling it forwards and free from the top hinge. See fig. 8.2
- Dismount the right top hinge and save it for later use. See fig. 8.3
- Mount the left top and bottom hinge enclosed (7 + 8). See fig. 8.4
- Remount the door pin previously dismounted (3) in the bottom hinge
- Mount the door in the top hinge (7) towards the door pin (3), tighten the door pin (1)
- Lift up the cabinet again and wait 1 hour before connecting it to the mains to avoid oil in the cooling system

Defrosting, cleaning, and maintenance

Automatic defrosting

The beverage cooler is defrosted automatically.

Defrost water runs through a pipe and is collected in a tray above the compressor where the heat generated by the compressor causes it to evaporate.

Cleaning

Before cleaning the appliance, unplug it from the main supply. The cabinet is best cleaned using warm water (max. 65°C) with a little mild detergent. Never use cleaning agents that scour. Use a soft cloth. Rinse with clean water and dry thoroughly. Never use sharp or pointed implements. Avoid unnecessary cleaning of the wooden shelves, as these are made of untreated natural material. Cleaning agents may discolour the shelves.

The sealing strip around the door must be cleaned regularly to prevent discolouration and prolong service life. Use clean water. After cleaning the sealing strip, check that it continues to provide a tight seal.

Dust collecting on the condenser underneath the cabinet, on the compressor and in the compressor compartment is best removed using a vacuum cleaner.

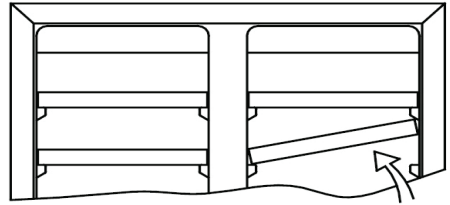
Replacing the lighting

Light-emitting diodes designed to last the entire service life of the appliance are used. If it, however, becomes necessary to replace the light source, please call for service.

CLASS 1 LED PRODUCT

Removing the shelves

Push the shelf all the way back and tip it. It is now possible to remove the shelf.



Fault finding

Fault	Possible cause	Remedy
The appliance is not running	<p>The appliance is switched off.</p> <p>Power failure; the fuse is blown; the appliance is not plugged in correctly.</p>	<p>Press the on/off switch.</p> <p>Check that power is connected. Reset the fuse.</p>
Water collects in the bottom of the cabinet.	The defrost water pipe is blocked.	Clean the defrost water channel and the drain hole on the rear wall of the cabinet.
Vibration or bothersome noise.	<p>The appliance is not level.</p> <p>The appliance is resting against other kitchen elements.</p> <p>Containers or bottles inside the cabinet are rattling against one another.</p>	<p>Level the appliance using a spirit level.</p> <p>Move the appliance away from the kitchen elements or appliances it is in contact with.</p> <p>Move containers and/or bottles apart.</p>
Compressor runs continuously.	High room temperature.	Ensure adequate ventilation.

Warranty, spare parts and service

Warranty disclaimer

Faults and damage caused directly or indirectly by incorrect operation, misuse, insufficient maintenance, incorrect building, installation or mains connection. Fire, accident, lightning, voltage variation or other electrical interference, including defective fuses or faults in mains installations are not covered by the warranty.

Repairs performed by others than approved service centres and any other faults and damage that the manufacturer can substantiate are caused by reasons other than manufacturing or material faults are not covered by the warranty.

Please note that changes to the construction of the appliance or changes to the component equipment of the appliance will invalidate warranty and product liability, and the appliance cannot be used lawfully. The approval stated on rating plate will also be invalidated.

Transport damage discovered by the buyer is primarily a matter to be settled between the buyer and the distributor, i.e. the distributor must ensure that such complaints are resolved to the buyer's satisfaction.

Before calling for technical assistance, please check whether you are able to rectify the fault yourself. (see the fault finding list) If your request for assistance is unwarranted, e.g. if the appliance has failed as a result of a blown fuse or incorrect operation, you will be charged the costs incurred by your call for technical assistance.

Spare parts

When ordering spare parts, please state the type, serial and production numbers of your appliance. This information is given on the rating plate. The rating plate contains various technical information, including type and serial numbers.

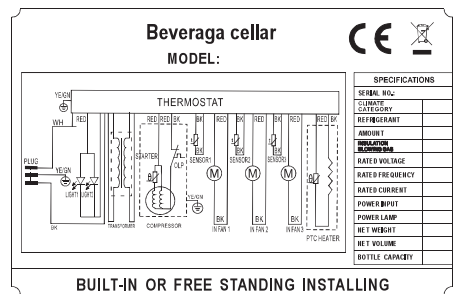


fig. 11

Note: Always use approved service centres when your appliance is to be repaired or replaced!

Disposal

Information for Users on Collection and Disposal of Old Equipment and used Batteries



These symbols on the products, packaging, and/or accompanying documents mean that used electrical and electronic products and batteries should not be mixed with general household waste. For proper treatment, recovery and recycling of old products and used batteries, please take them to applicable collection points, in accordance with your national legislation and the Directives 2002/96/EC and 2006/66/EC.

By disposing of these products and batteries correctly, you will help to save valuable resources and prevent any potential negative effects on human health and the environment which could otherwise arise from inappropriate waste handling.

For more information about collection and recycling of old products and batteries, please contact your local municipality, your waste disposal service or the point of sale where you purchased the items.

Penalties may be applicable for incorrect disposal of this waste, in accordance with national legislation.



For business users in the European Union.

If you wish to discard electrical and electronic equipment, please contact your dealer or supplier for further information.

Information on Disposal in other Countries outside the European Union

These symbols are only valid in the European Union. If you wish to discard this product, please contact your local authorities or dealer and ask for the correct method of disposal.

Note for the battery symbol:



This symbol might be used in combination with a chemical symbol. In this case it complies with the requirement set by the Directive for the chemical involved.

GB Reserving the right to alter specifications without prior notice.