











CONTENT	PAGE
 INFORMATION	3
 INSTALLATION	
 STANDARD INSTALLATION	5
 GRINDER INSTALLATION	6
 BREWING	8
 MANUAL MODE	9
 GRINDER MODE	10
 PACK MODE	12
 CLEANING	14
 BREWER SETUP	16

KEY

	READ OPERATORS MANUAL		BREWING		DAMP CLOTH		GRINDING
	WAIT		WEIGH		RINSE		
	BREWING		DISPOSE		DISHWASHER SAFE		

INTRODUCTION

The information provided in this manual is intended to assist in the installation and maintenance of the JET 6 Coffee Brewer & FCG 6 grinder. Please read the instructions carefully to prevent accidents and ensure an efficient installation.

This manual is not a substitute for any safety instructions or technical data affixed to the machine or its packaging. All information in this manual is current at the time of publication and is subject to change without notice.

The company accepts no responsibility for any damage or injury caused by incorrect or unreasonable installation and operation.

RATING PLATE



- A. Model Number and name.
 B. Product serial code (xxxxmmyy)
 C. Rated Voltage.
 D. Rated Power.
 E. Contact details.
 F. WEEE Logo
 This logo indicates that the product must not be disposed of as household waste. To help prevent possible harm to human health and/or the environment, the product must be disposed of in an approved and environmentally safe recycling process. For further information on how to dispose of this product correctly, contact product supplier, or the local authority responsible for waste disposal in your area.
 G. Regulatory standard logo
 This equipment has been designed and tested to comply with all applicable regulatory standards set by international, independent and government authorities.

SAFETY INSTRUCTIONS

- Installation, maintenance and use should only be carried out by authorised personnel.
- Installation should be in accordance with applicable regulations of the country of installation.
- This appliance is not intended for use by persons (including children) with reduced physical, sensory or mental capabilities, or lack of experience and knowledge, unless they have been given supervision or instruction concerning use of the appliance by a person responsible for their safety.
- Children should be supervised to ensure that they do not play with the appliance.
- Position on a flat, stable surface.
- **DO NOT**
 - Touch hot surfaces.
 - Immerse the appliance in water.
 - Leave appliance unattended during operation.
 - Remove filter basket during use.
 - Use outdoors.
- Disconnect from power supply when appliance is not in use
- Repairs and service should only be carried out by a service technician.
 - Appliance must be fully disconnected from mains power before removing any panels.
 - If the power cord is damaged, it must be replaced by the manufacture, its service technicians or similarity qualified persons to avoid hazard.
- Before any attempt is made to move or service the brewer ensure it is unplugged, and drained and allowed to fully cool.
- The ambient temperatures this unit should operate within are 5°C - 35°C.
- This appliance should not be installed in a tightly enclosed area (such as a cupboard). Air should be able to freely circulate around it.

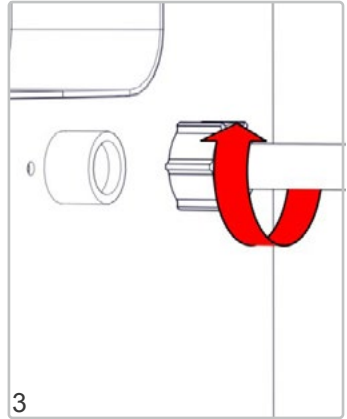
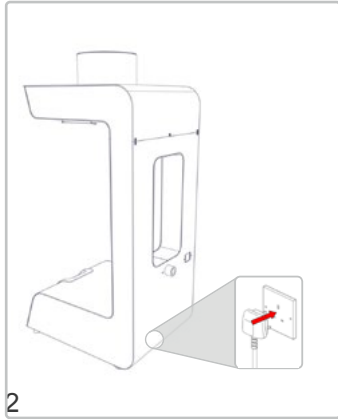
The appliance is designed for use as described in the instructions. Failure to install, maintain and/or operate this brewer according to the manufacturer's instructions may result in conditions that can cause injury or damage to property. If in any doubt about the serviceability of the brewer always contact the manufacturer or your own supplier for advice.

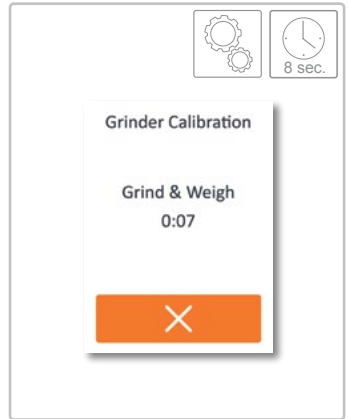
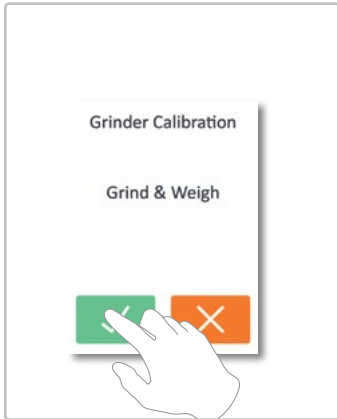
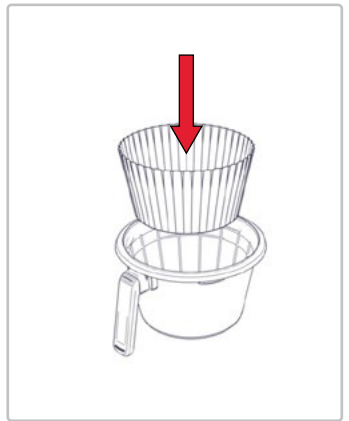
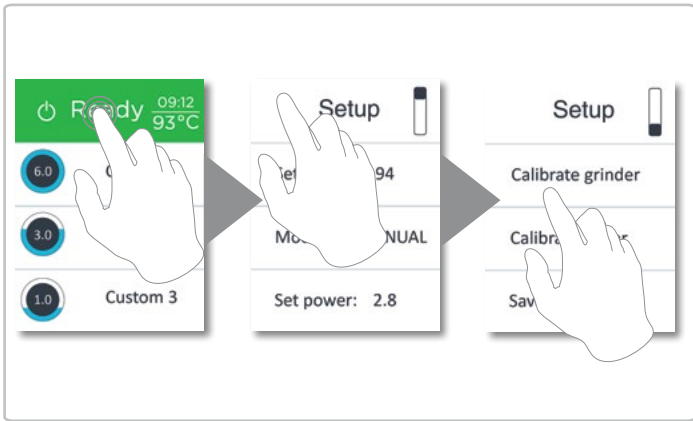
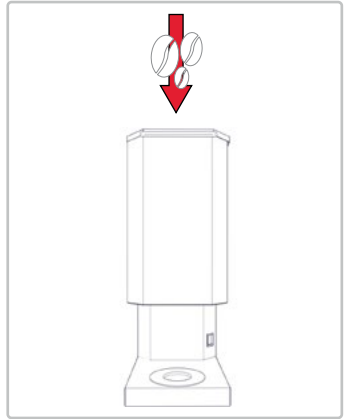
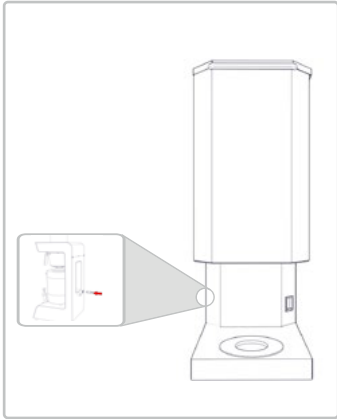
It is recommended to de-scale the machine every 3 months in hard water areas and every 6 months in soft water areas. De-scaling should be carried out by a service agent. It is also recommended to clean the urn after each days brewing using a proprietary urn-cleansing compound.

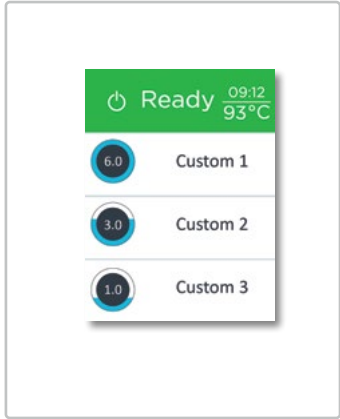
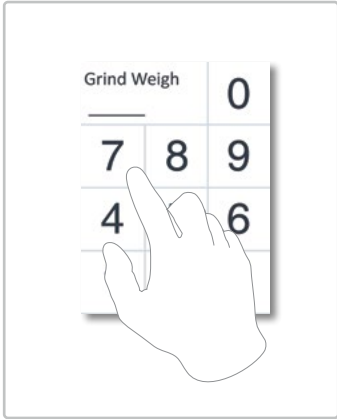


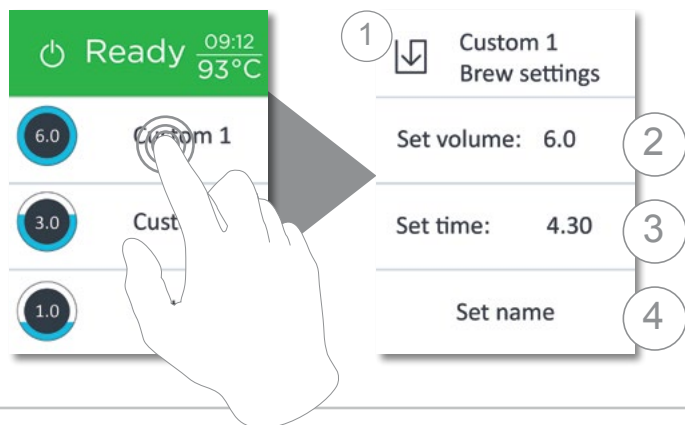
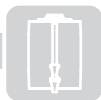
TROUBLESHOOTING

Fault	Probable Cause	Action
Blank Screen	The unit is not switched on	Check the unit is plugged in correctly and switched on
	Plug or lead are damaged	Call a qualified service technician
	Power supply	Check power supply
	Internal wiring fault	Call a qualified service technician
Brewer not "Ready"	Water not connected	Connect water to the rear of the machine.
	Element failure	Call a qualified service technician
Grinder not working	The unit is not connected to the brewer	Check the unit is plugged into the brewer.
The coffee is too weak	Not enough ground coffee has been used	Increase the amount of coffee
	Coffee grind is too coarse	Reduce the coarseness of the grind
The coffee is too strong	Too much ground coffee has been used	Reduce the amount of coffee
	Coffee grind is too fine	Increase the coarseness of the grind
	Not enough water has been used	Increase the amount of water
The basket is overflowing	Coffee grind is too fine	Increase the coarseness of the grind
	Too much ground coffee has been used	Reduce the amount of coffee







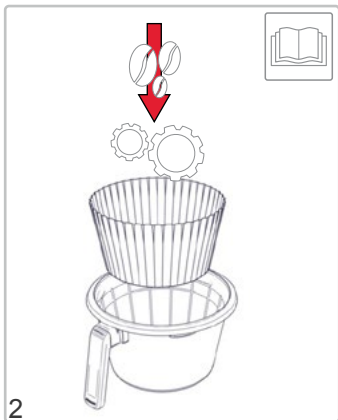


Press and Hold

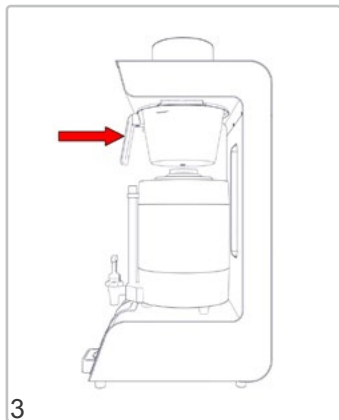
- | | |
|---|-----------------------------------------------------------|
| 1 | Save & exit the to main screen |
| 2 | Set output coffee volume (or water volume in MANUAL mode) |
| 3 | Set brewing (water delivery) time |
| 4 | Set custom name of the brew |



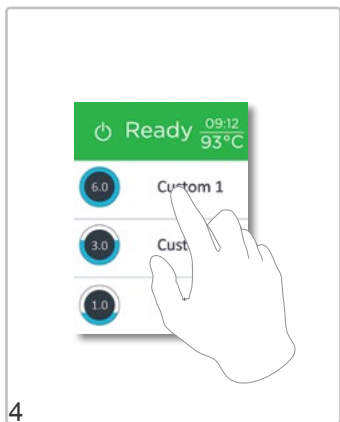
1



2



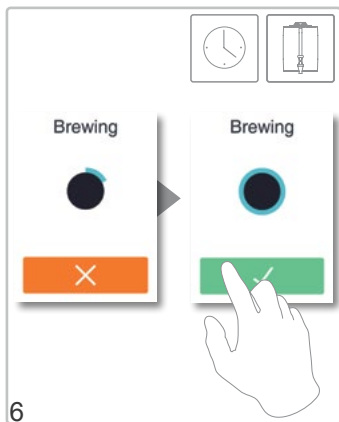
3



4



5



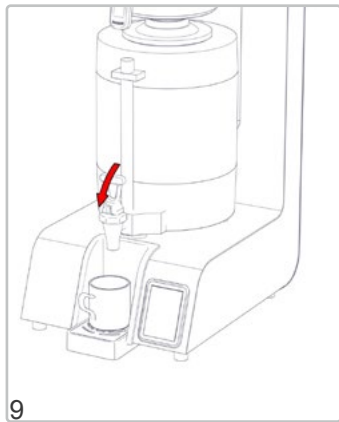
6



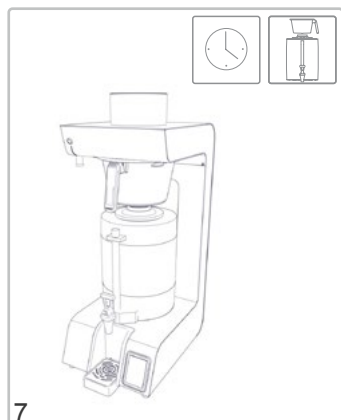
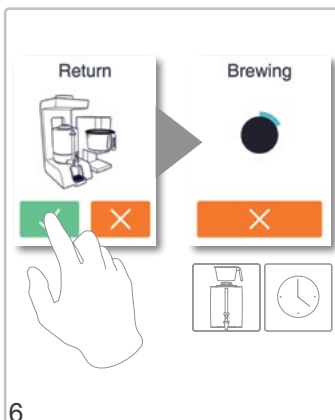
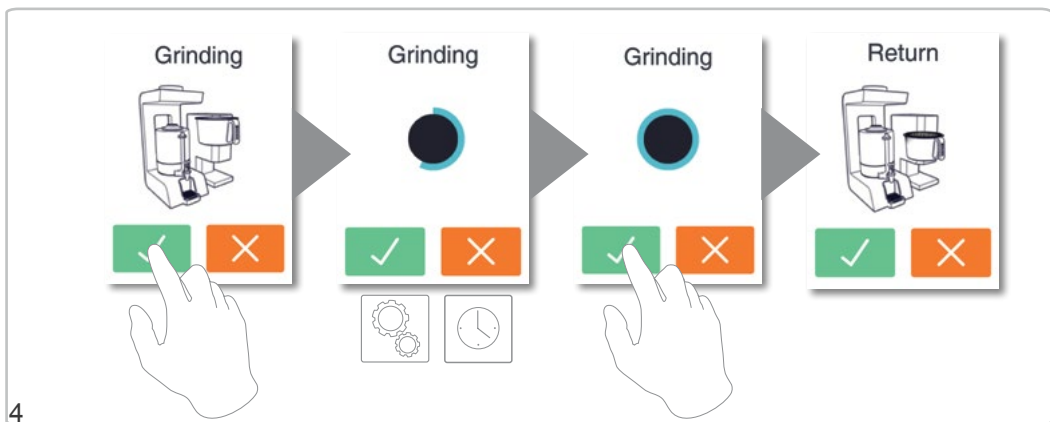
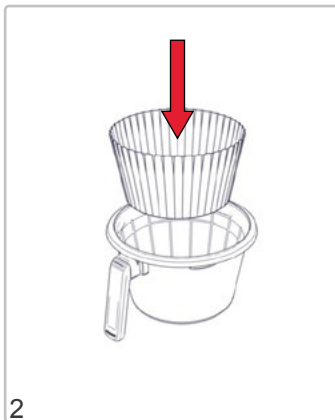
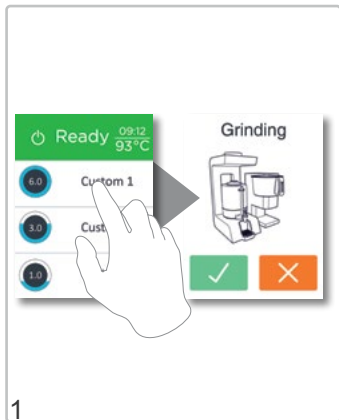
7

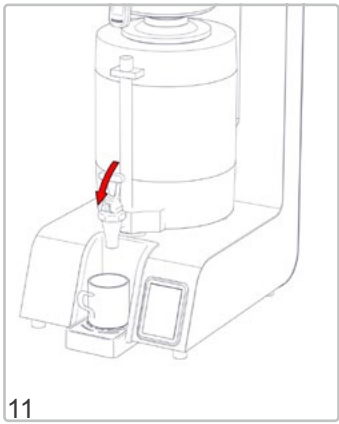
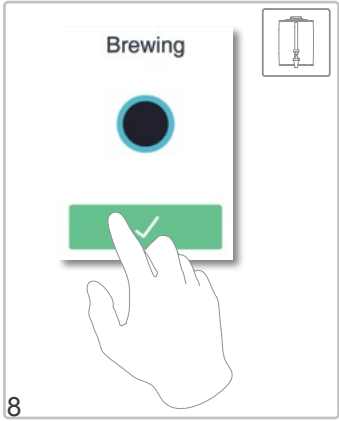


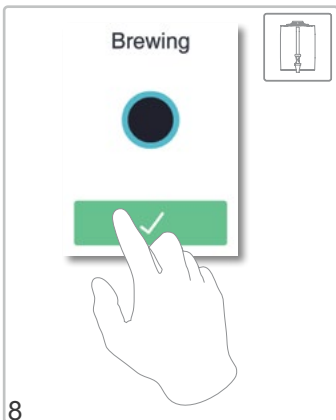
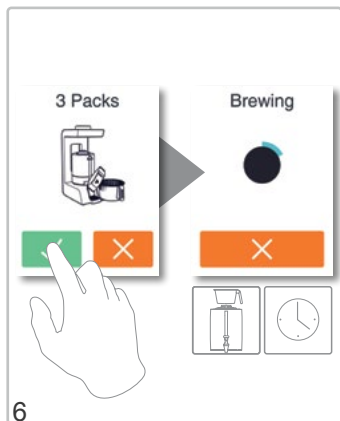
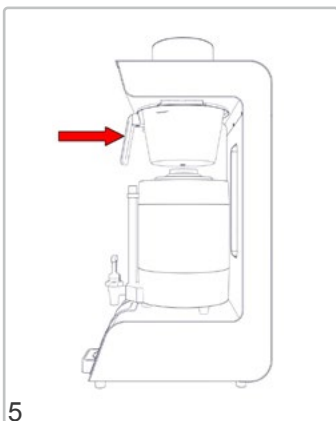
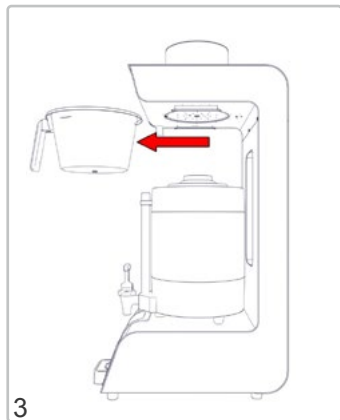
8

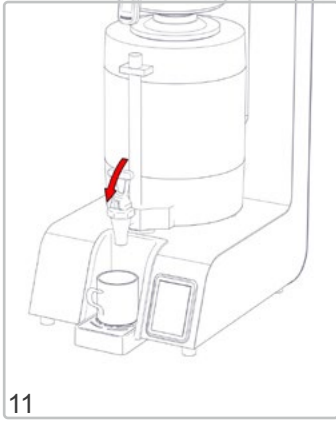
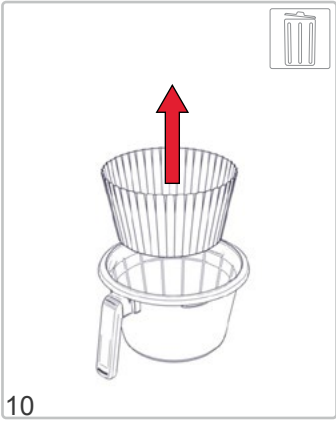


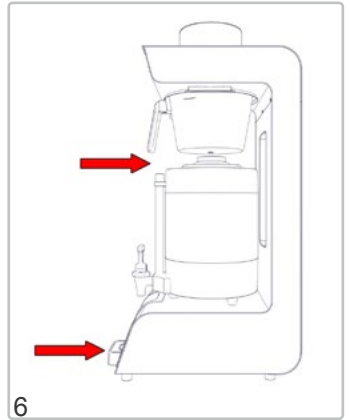
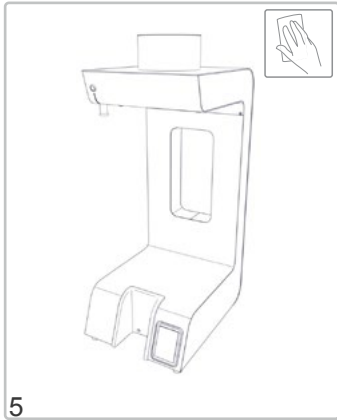
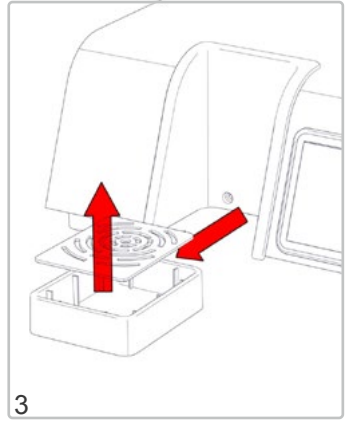
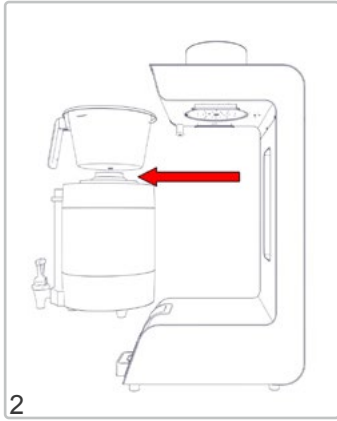
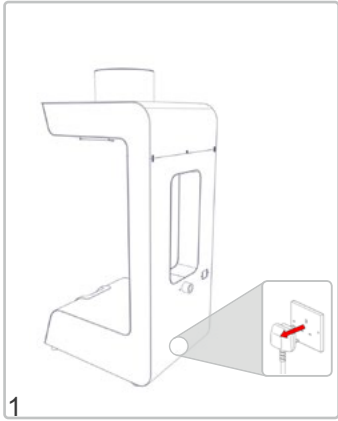
9

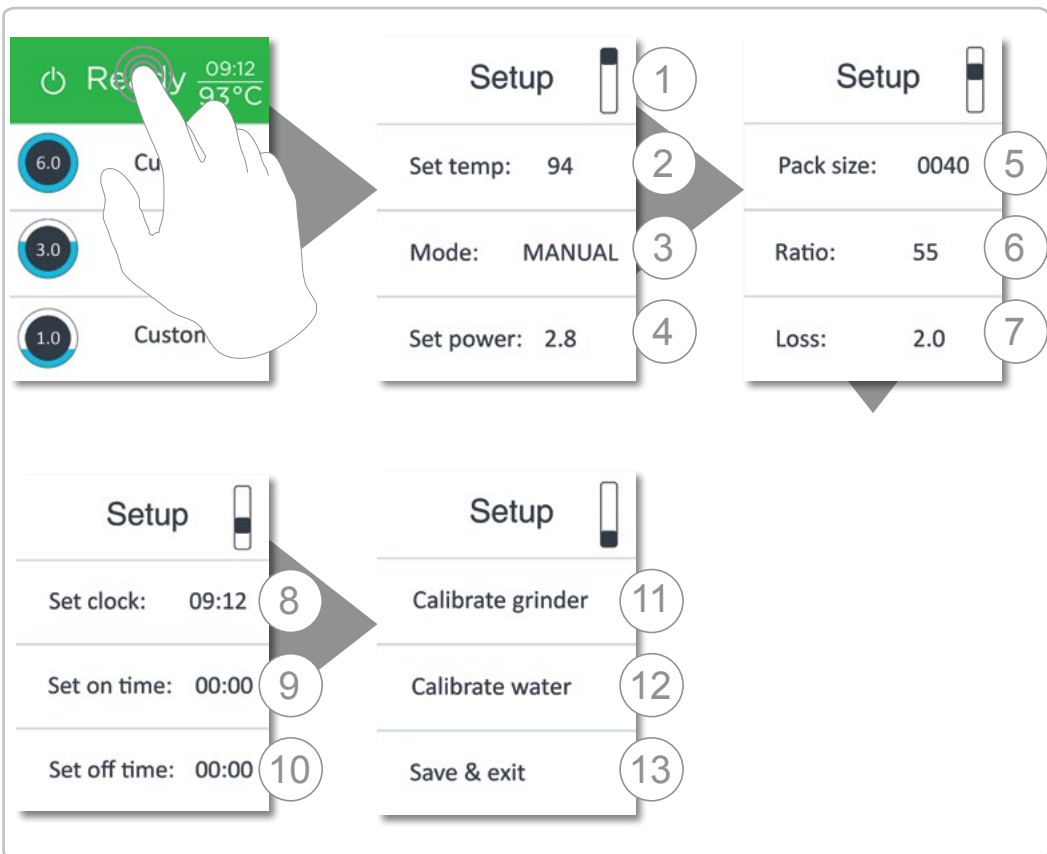














1	Scroll through setup screens
2	Set brewing temperature
3	Set mode of operation (GRINDER / PACKS / MANUAL) Manual mode - This mode allows the user to set the desired amount of coffee needed. (See page 8 for setup) Grinder mode - This mode pairs brewer with the FCG6 (See page 10) Pack mode - This mode allows you to set custom pre-ground coffee pack sizes for use with the brewer (See 5/6/7 below for settings)
4	Set machine power version (Must match power supply)
5	Set coffee pack size in grams (PACKS mode only)
6	Set coffee to water ratio. Grams per litre (GRINDER / PACKS modes only)
7	Set loss factor (how many grams of water is retained per gram of coffee)
8	Set real-time clock (24h)
9	Set machine turn-on time (24h)
10	Set machine turn-off time (24h) - setting on and off time for the same value disables the timer
11	Calibrate the grinder, this should be done every time grinder settings or coffee type is changed.
12	Calibrate the water output
13	Save & exit the to main screen

