



LM09/N - Lincat Phoenix Natural Gas Free- standing General Purpose Oven - W 900 mm - 8.25 kW

Robust and reliable, the Phoenix General Purpose Gas Oven range won't let you down.

- ✓ Robust and reliable oven for baking, roasting and reheating
- ✓ Impressively high capacity 6 x 1/1GN, enabling six different foods to be cooked simultaneously
- ✓ Powerful 8kW oven

Specifications

Summary

Brand	Lincat
Range	Phoenix
Power Type	Gas
Gas Type	Natural Gas
Unit Type	Free-standing
Available in UK Only	No
UK Warranty	2 Years Parts and Labour Warranty
Export Warranty	Contact your local dealer
GTIN	5056105102120

Power and Performance

BTU per Hour	28,149
Total Power kW	8.25
Temperature Range °C	130-265
Temperature Control	Mechanical
Oven Rating kW	8.25

Key Specifications

Number of Shelves included	3
Number of Shelf Positions	4

Capacity

Gastronorm Capacity	2 x GN1/1 per shelf
----------------------------	---------------------

Weights and Dimensions

Unit Height (External) mm	936
Unit Width (External) mm	900
Unit Depth (External) mm	730
Height (Internal) mm	480
Width (Internal) mm	726
Depth (Internal) mm	522
Shelf Dimensions Width mm	710
Shelf Dimensions Depth mm	522
Net Weight Kg	102

Supply Connections

Requires Installation	Yes
Requires Electrical Supply	No
Gas Connection BSP	1/2"
Gas Consumption at full rate Natural m³ per Hour	0.74
Gas Pressure Natural mbar	20
Total heat input at full rate Natural kW	8.25
Total heat input at full rate Natural BTU per hour	44,000

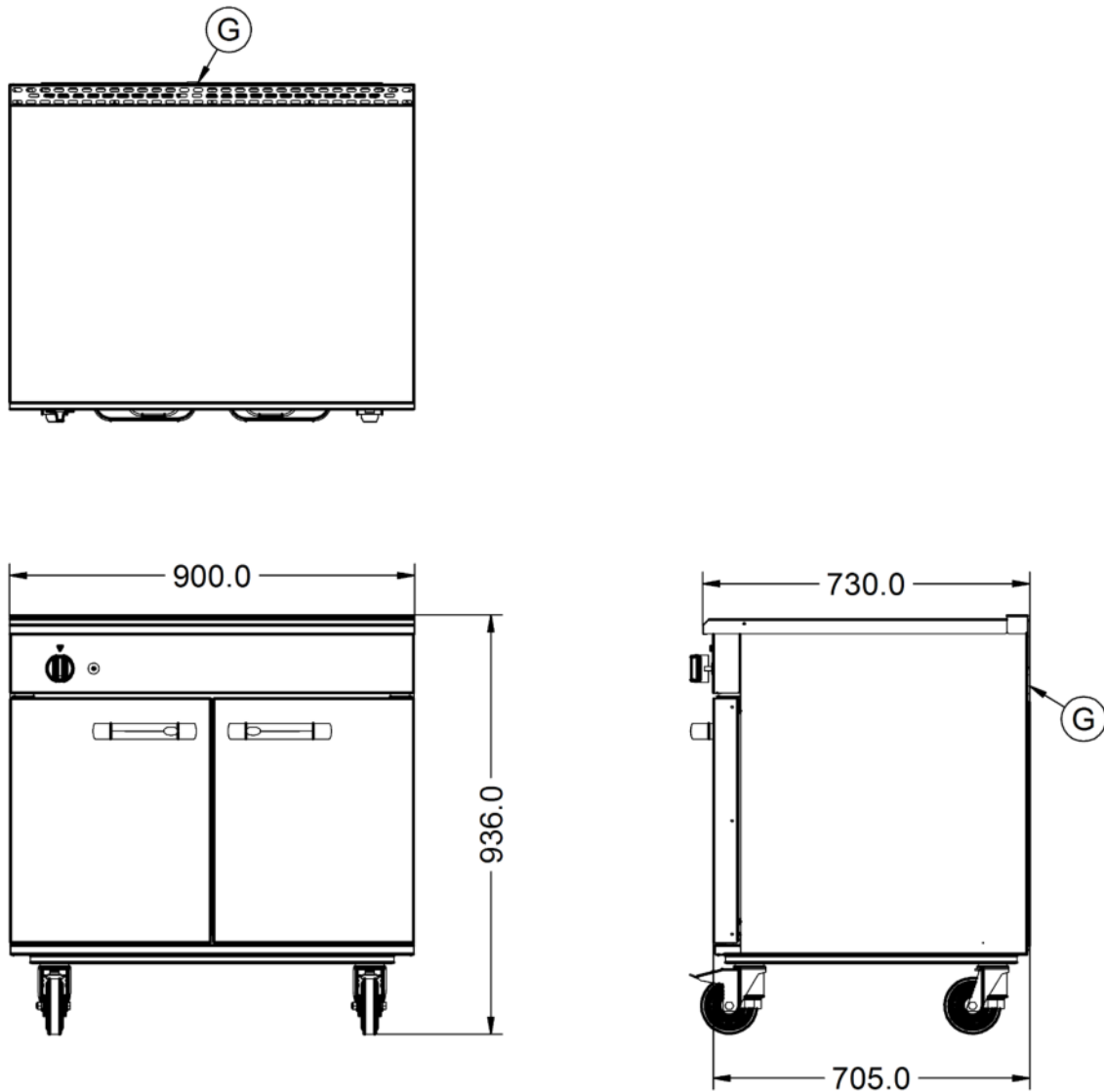
Shipping

Packed Weight Kg	120
Packed Height cm	104
Packed Width cm	100
Packed Depth cm	85

Available Accessories

CH01	Caterflex Hose 1/2" - 1 Metre - for use with units up to 66,000 BTU
CH02	Caterflex Hose 1/2" - 1.5 Metre - for use with units up to 56,000 BTU

Technical Picture



Lincat Limited

Whisby Road,
Lincoln, LN6 3QZ,
United Kingdom

Company No: 2175448

A member company of



Customer Care

Tel: +44 1522 875500
Email: care@lincat.co.uk

Export Customers

Tel: +44 1522 503250
Email: export@lincat.co.uk

Opening Hours

Monday – Friday:
8.30am – 5pm