



SP
PEELER

PRODUCT OPTIONS AND ACCESSORIES

- S58/568 Filter Basket - Integral - for SP Potato Peeler
- S58/569 Interceptor Tank - for SP Potato Peeler [pedestal mounted/2" BSP]
- A29/003 Lid Retaining Strap for SP/VQ Potato Peeler
- S58/570 Waste Ejector for SP Potato Peeler [2" BSP]

With a small footprint and quiet motor, the energy-efficient SP12 (3PH) peeler is ideal for medium and large kitchens with a three-phase power supply. Offering the speed and convenience of pre-prepared products, it has the power to peel up to 12kg of vegetables in two minutes - up to 220kg per hour - saving space and time.

Simple and safe to operate, the floor-standing SP12 (3PH) has a high pedestal, allowing the unit to be emptied into a sink.

Constructed from rust-proof stainless steel, the SP12 (3PH) is robust and low maintenance, with a heavy-duty belt and pulley drive. Its corrosion-

PRODUCT FEATURES

- Able to peel 12kg of potatoes in 2 minutes - up to 220kg per hour
- Upright design with small footprint, ideal for medium and large operations
- High pedestal makes unit the perfect height to empty into a sink
- Lubricated, heavy-duty gearbox makes peeling operation smooth and reliable
- Dual position waste outlets and smooth cylinder base for quick, easy cleaning
- Long-lasting, rust-proof plate and replaceable liners for effective peeling
- Suitable for kitchens with three-phase power supply
- WRAS-approved Class A air-break and brass spray nozzle to prevent water escape

AIA FILE NUMBER:

ITEM NUMBER:



IMC SP12H FLOOR-MOUNTED POTATO PEELER - 3 PHASE - H 1400
MM - 0.37 KW

MODEL: F58/903

WEIGHTS & DIMENSIONS

Width	530 mil
Depth	624 mil
Height	1388 mil
Weight	50.5 kg

SHIPPING DETAILS

Ship Width	68 cm
Ship Depth	57 cm
Ship Height	148 cm
Ship Weight	55.55 kg
Number of Shipment Parcels	1
Ship Method	Small Parcel (FedEx, UPS, DHL)
Shipping Origin Zip Code	LN6 3QZ, UNITED KINGDOM
Quick Ship Product	No

PRODUCT CERTIFICATIONS



ENERGY SPECS

Primary Energy Type	Electric	Electrical Plug Type	Hardwired
Electrical Total Amperage	1.1 A	Number of Electrical Plugs	Not Applicable
Electrical Volts	400V	Electrical Connection Type	Direct Hardwired
Electrical Total Wattage	370 W	Number of Electrical Conductor Wires	1
Electrical Kilowatts	0.37 kW	Electrical Remarks	Three
Electrical Phase	3-Phase	Energy Saving	No

ADDITIONAL SPECIFICATIONS

Airbreak	Yes
Control Type	On/Off
Hopper Load	12 kg
Motor Power	0.5 hp
Operator Safety Method	User Guide
Processing Capacity Per Hour	220 kg
Timer Type	Mechanical/Traditional Timer

BIDDING SPECIFICATIONS

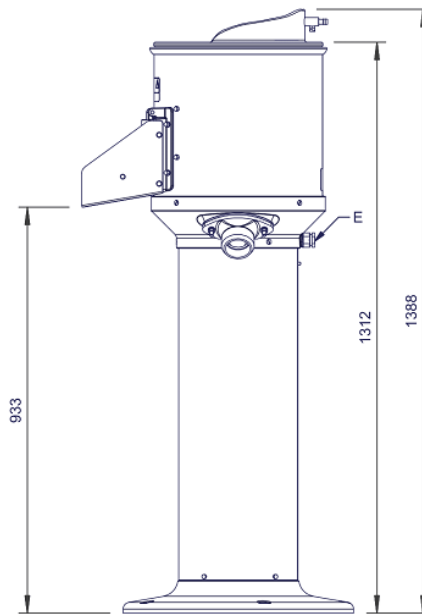
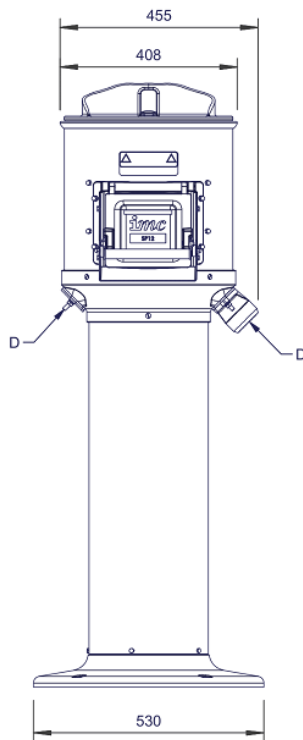
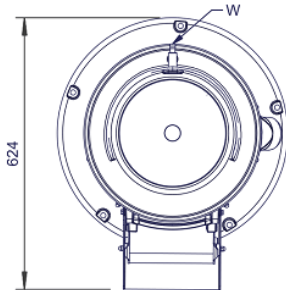
Bidding Specifications Not Available.



IMC SP12H FLOOR-MOUNTED POTATO PEELER - 3 PHASE - H 1400
MM - 0.37 KW

MODEL: F58/903

TECHNICAL DRAWING



IMC reserves the right to modify specifications or discontinue models without incurring obligation. Dimensions nominal.

Document Auto-Generated
July 02, 2024