

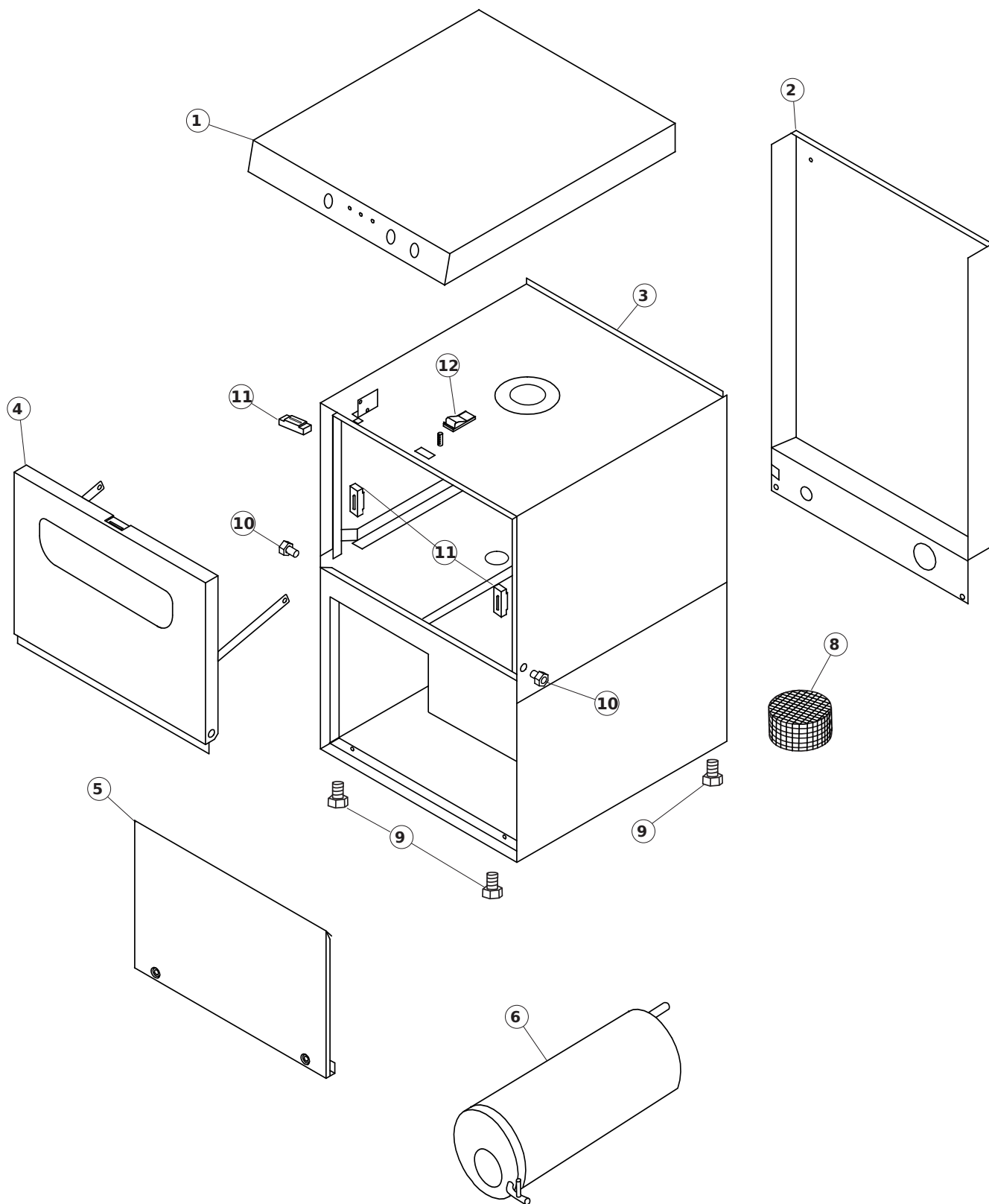
The logo for Prodix, featuring the word "Prodix" in a white, stylized, rounded font with a black outline. The letters are set against a blue background that has a white brushstroke effect behind the text.

Prodix

**CATALOGO PARTI RICAMBIO
SPARE PARTS CATALOGUE
CATALOGUE PIECES DETACHEES
ERSATZTEILKATALOG
CATALOGO DE PIEZAS DE RECAMBIO
CATALOGO PEÇAS DE REPOSIÇÃO**

The model number "E35" is centered on a large blue rectangular background. The text is white with a black outline and is underlined with a white horizontal line.

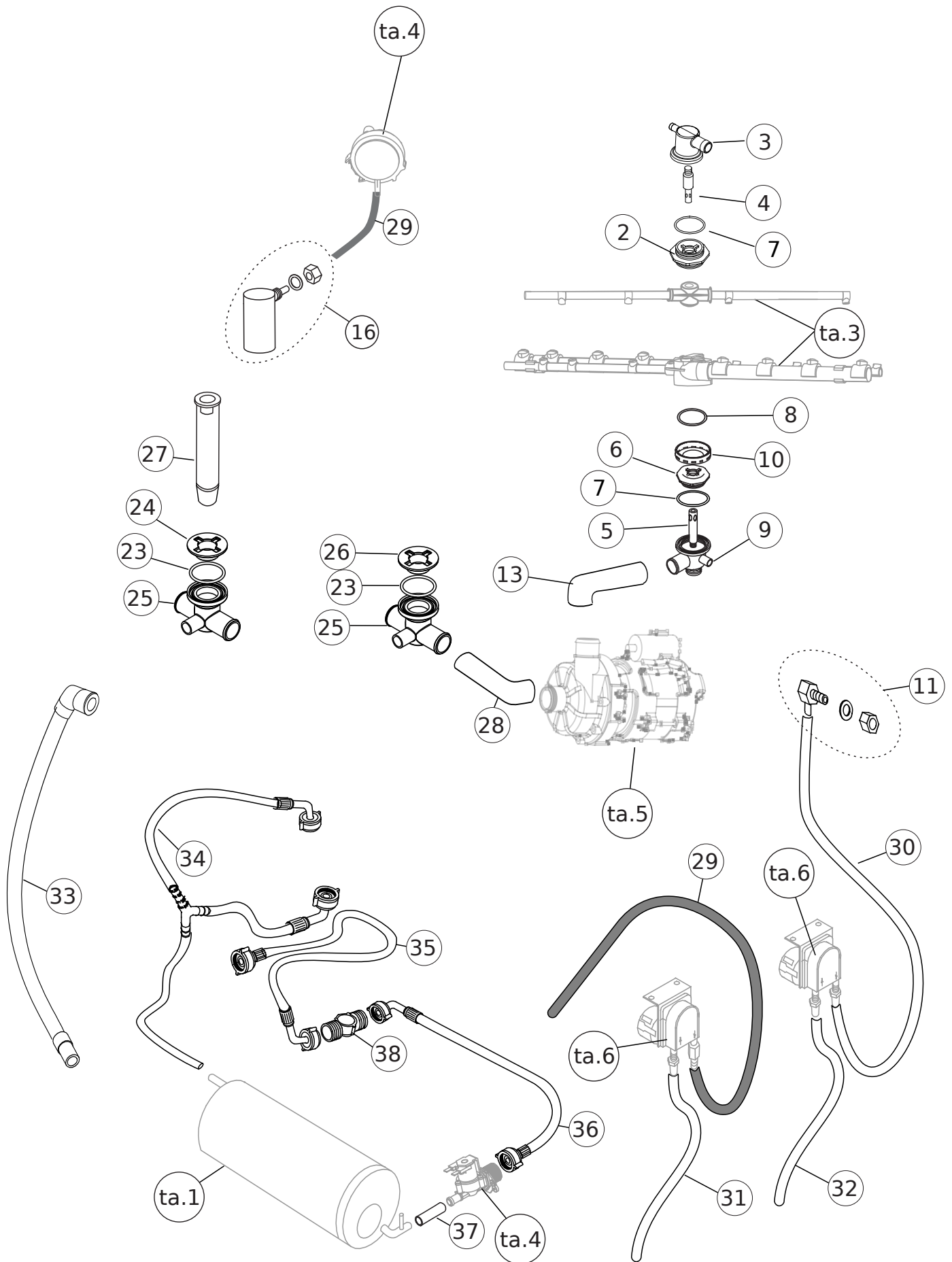
E35



ta.1

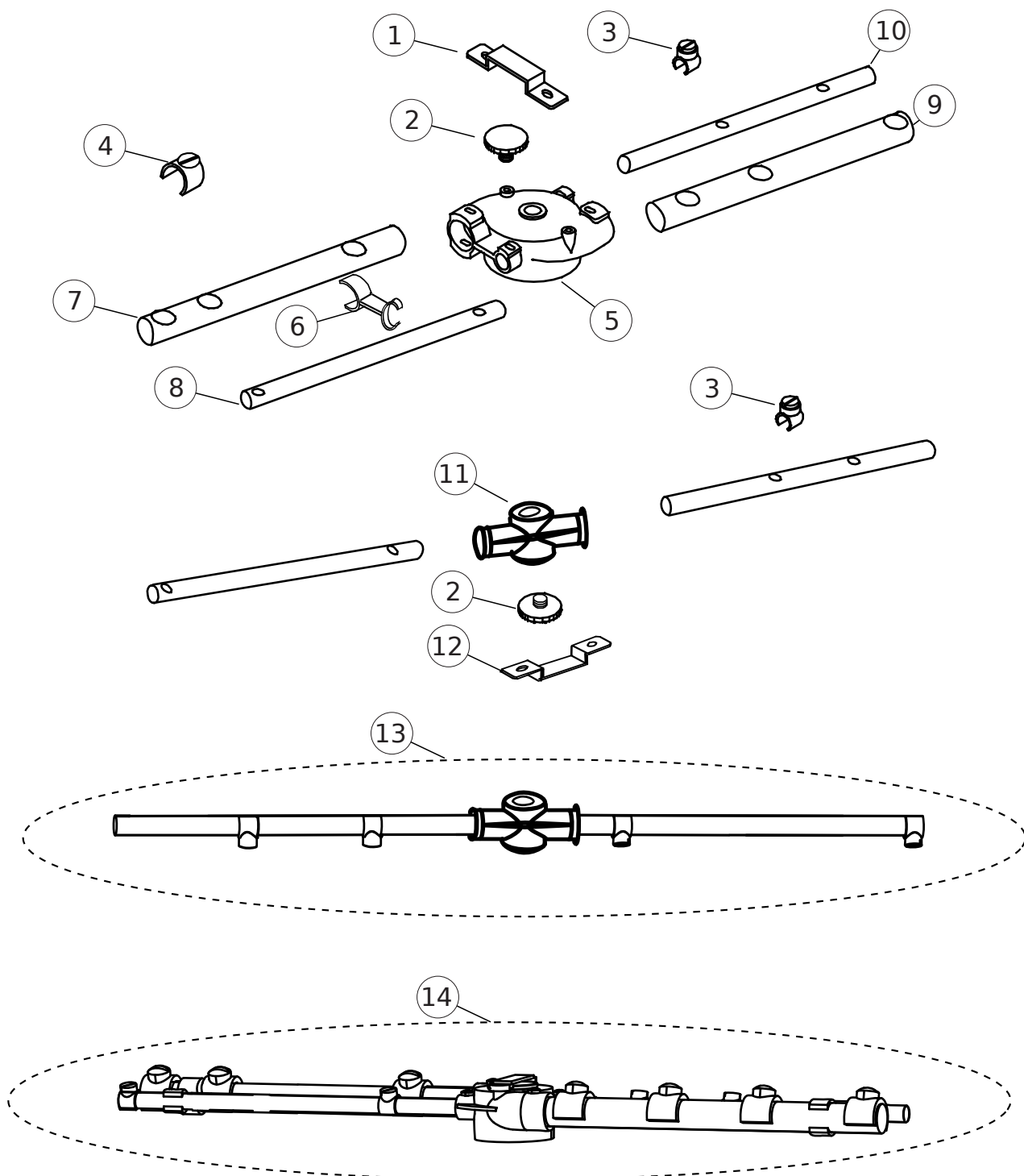
| pos. | cod. | | |
|------|---------|------------------------------------|--|
| 1 | TT3520 | TETTO INOX ALPHA/UNICA 35 | Stainless steel switch panel ALPHA/UNICA 35 |
| 2 | 60006 | PANNELLO POSTERIORE ALPHA 35 | Backside panel S 35- E 35 |
| 3 | 60000 | CASSONE COMPLETO ALPHA 35 | Alpha 35 complete case |
| 4 | 60132U | PORTA S 35 IMBUTITA TIPO UNICA | Deep drawn door S 35 UNICA type |
| 5 | 60004 | PANNELLO SOTTOPORTA ALPHA 35 | Underdoor panel S 35-E 35 |
| 6a | 60930T | BOILER TONDO(S.RES.) Ø120 | Round Boiler (without heating element) Ø 120 |
| 7 | | | |
| 8 | FLTPM01 | FILTRO POMPA UNICA COMPLETO | Complete UNICA pump filter |
| 9 | PRP01 | PIEDINO REGOLABILE PLASTICA | Adjustable plastic foot |
| 10 | 17920 | CERNIERA PORTA SERIE ALPHA / UNICA | Tapered door hinge UNICA series |
| 11 | 20150 | BLOCCHETTO X TIRANTI PORTA 55X14X8 | Door tie rod block |
| 12 | 20132 | CHIUSURA PORTA COMPLETA | Complete door closing E/S series |

ta. 2



ta.2

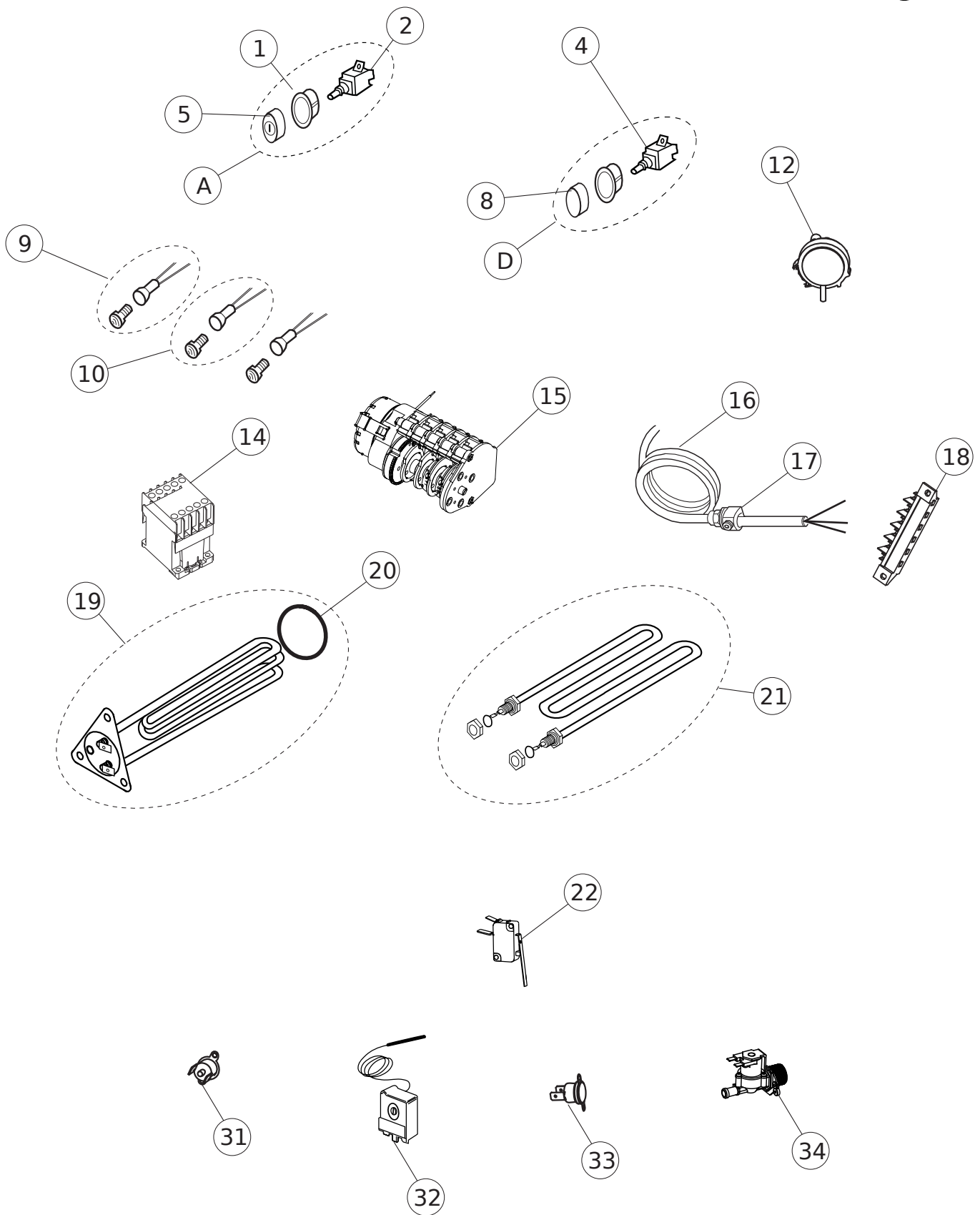
| pos. | cod. | | |
|------|---------|--|---|
| 1 | | | |
| 2 | 20017C | GHIERA DI FISSAGGIO GRUPPO RISCIAQUO | Rinsing group fixing nut |
| 3 | 20080B | DISTRIBUTORE RISC. RIBASSATO CHIUSO | Closed lowered rinsing distributor |
| 4 | 17047 | ALBERO INOX Ø 16 PER RISC. SUP. 50 | Upper rinsing group stainless steel axle 50 |
| 5 | 17045 | ALBERO INOX Ø 16 PER GRUPPO LAVAGGIO | Washing group stainless steel axle |
| 6 | 20017 | GHIERA DI FISSAGGIO GRUPPO LAVAGGIO | Washing group fixing nut |
| 7 | 18025 | OR 4175 PER GRUPPO LAVAGGIO EPDM | Washing group or |
| 8 | 20016 | ANELLO DI TENUTA GRUPPO LAVAGGIO | Washing group seal ring |
| 9 | 20070A | DISTRIBUTORE LAV.RISC. AVVITATO | Screwed in washing rinsing distributor |
| 10 | 20135P | CUFFIA PARASPRUZZI IN PLASTICA | Plastic splash guard |
| 11 | IDCPL01 | INIETTORE DETERSIVO PLASTICA | Plastic detergent injector |
| 12 | | | |
| 13 | 610045 | MAN.MANDATA LAV.INF POMPA 28/30 | Pump lower wash inlet connector 28/30 |
| 14 | | | |
| 15 | | | |
| 16 | 20100 | GABBIA D'ARIA COMPLETA | Complete air retainer |
| 17 | | | |
| 18 | | | |
| 19 | | | |
| 20 | | | |
| 21 | | | |
| 22 | | | |
| 23 | 18025 | OR 4175 PER GRUPPO LAVAGGIO EPDM | Washing group or |
| 24 | 20095T | GHIERA GRUPPO SCARICO TROPPO PIENO | Overflow drain group nut |
| 25 | 20095C | GRUPPO SCARICO | Drain group |
| 26 | 20095H | GHIERA GRUPPO ASPIRAZIONE | Suction group fixing nut |
| 27 | 60790 | TROPPOPIENO SERIE ALPHA / JET 35-40 | Overflow E/S/J 35-40 series |
| 28 | 610045 | MAN.MANDATA LAV.INF POMPA 28/30 | Pump lower wash inlet connector 28/30 |
| 29 | 610000 | TUBO EPDM 5x9 PRESSOSTATI | Epdm pipe 5x9 pressure switch |
| 30 | 23060 | TUBETTO 6 X 4 DOSATORI TRASP. | Pipe 6 for 4 dispensers |
| 31 | 23061 | TUBETTO 6X4 DOSATORI BLU | Pipe |
| 32 | 23060 | TUBETTO 6 X 4 DOSATORI | Pipe 6 for 4 dispensers |
| 33 | 600145 | CANNA X SCARICO | Drain pipe |
| 34 | CAR04 | CANNA Ø10 ASIEM. X RISC. SUP. INF. 35/40 | Assembled rinsing pipe Ø10 UNICA 40 T |
| 35 | 600005 | CANNA Ø10 cm 200 PIPA+RACC. 3/4 CARICO | Water inlet pipe Ø10 cm 200 lug nut+connector 3/4 |
| 36 | CVNR08 | CANNA Ø10 900mm X VNR | Water pipe Ø10 900mm for anti-pollution device |
| 37 | 600100 | CANNA EPDM 10x17 | Epm� water pipe 10x17 |
| 38 | 30603 | VALVOLA DI NON RITORNO | Anti pollution device |



ta.3

| pos. | cod. | | |
|------|--------|---|---|
| 1 | 20014 | OMEGA PER GIRELLO LAVAGGIO | Washing ring omega |
| 2 | VGP01 | VITE PLASTICA.M 8 X 6,5 Ø28 | Plastic screw 8 X 6,5 Ø28 |
| 3 | 17025 | UGELLI RISCIAQUO AD INCASTRO | Snap-fit rinsing nozzle |
| 4 | 20049 | UGELLI LAVAGGIO AD INCASTRO | Snap-fit washing nozzle |
| 5 | 20015 | GIRELLO 2 VIE PARALLELO | 2 ways parallel washing ring |
| 6 | 20025 | CLIPS DISTANZIATORI PER TUBO LAV.+RISC. | Washing+rinsing pipe spacer |
| 7 | 30380 | TUBO Ø18X1X165 LAV. DX 35-350 | Pipe Ø18X1X165 right washing 35-350 |
| 8 | 30400 | TUBO RISC. SX Ø10X1X170 MOD. 35-350 | Left rinsing pipe Ø10X1X170 MOD. 35-350 |
| 9 | 30370 | TUBO Ø18X1X165 LAV. SX 35-350 | Pipe Ø18X1X165 left washing 35-350 |
| 10 | 30390 | TUBO RISC. DX Ø10X1X170 MOD. 35-350 | Right rinsing pipe Ø10X1X170 |
| 11 | 20020 | GIRELLO RISCIAQUO SUPERIORE | Upper rinsing ring |
| 12 | 20013 | OMEGA PER GIRELLO RISC. SUPERIORE | Upper rinsing ring omega |
| 13 | 30961 | GRUPPO RIS.SUP.COMP. 35 | Upper washing rinsing group 35 |
| 14 | 30950P | GRUPPO LAV.+RIS.INF.COMP 35 | Lower washing/rinsing rinsing group P350/E/S/ |

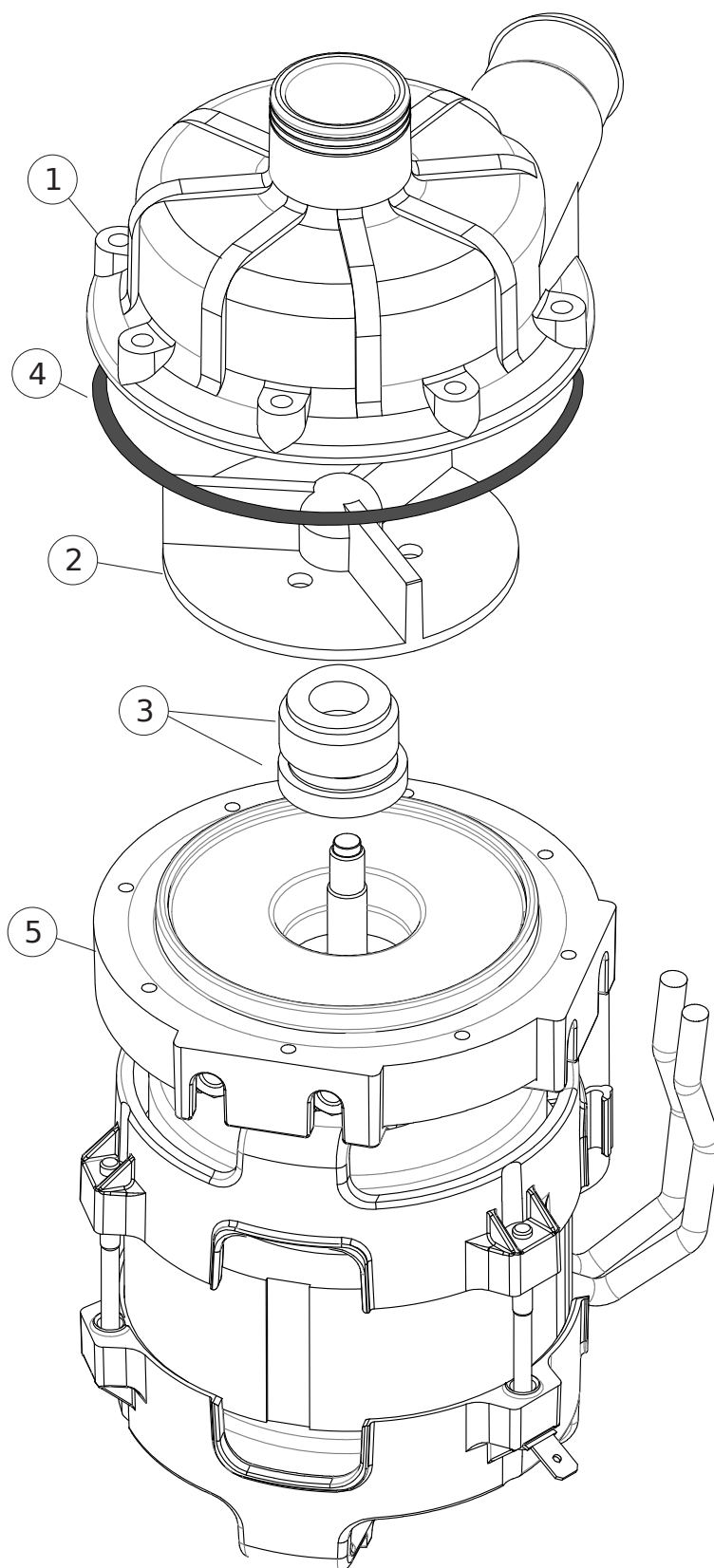
ta. 4



ta.4

| | | | |
|------|---------|--|---|
| pos. | cod. | | |
| 1 | 500300 | SUPPORTO ROLD NERO OVALE | Elliptical black support |
| 2 | 500103 | INTERRUTTORE BIP.NA-NA | Bipolar switch |
| | | | |
| 4 | 500101 | PULSANTE UNIPOLARE N.A. DEV. | Unipolar button |
| 5 | 500324 | TASTO NERO OVALE TAMP. ACCENS. | Elliptical red starting button |
| | | | |
| 8 | 500320 | TASTO NERO OVALE TAMP. START | Elliptical black start button |
| A | TSTE01 | INTERRUTTORE ON/OFF ELLITTICO COMPLETO | Elliptical ON/OFF switch |
| | | | |
| D | TSTE02 | PULSANTE START ELLITTICO COMPLETO | Elliptical start button |
| 9 | 30435 | LAMPADA SPIA VERDE | Green control light lamp |
| 10 | 30436 | LAMPADA SPIA ROSSA | Red control light lamp |
| | | | |
| 12 | 30530 | PRESSOSTATO 65/30 | Pressure switch 65/30 |
| | | | |
| 14 | 30520 | TELERUTTORE 25 A | Contactore 25A |
| 15 | 30450 | PROGRAMMATORE 11804M1 120" + | Semiadjustable 2 cams programmer 11804M1 120" |
| 16 | CBL1001 | CAVO ALIMENT.3X1,5 3 m | Power cord 3X1,5 1500 cm |
| 17 | 60590 | FISSACAVO | Cable fastener |
| 18 | CNCB01 | MORSETTIERA 5 POLI | 5 poles terminal board |
| 19 | | | |
| E | 60641 | RESISTENZA BOILER 2400 W 240 V | Boiler heating element 2400 W 240 V |
| F | 30640 | RES. BOILER 4000 WATT TRIFASE | Boiler heating element 4000W three phase |
| 20 | 18035 | OR PER RESISTENZA BOILER | Boiler heating element or |
| 21 | 60645 | RESISTEN. 1500 W. 230 V VASCA | Tank heating element 1500W 230 V |
| 22 | 30610 | MICROINTERRUTTORE PORTA 16/A LEVA | Door micro switch 16/A lever |
| | | | |
| | | | |
| | | | |
| | | | |
| | | | |
| | | | |
| | | | |
| | | | |
| 31 | 30517 | TERM.SICUREZZA 100°C | Safety thermostat ty 100°C |
| 32 | 30510 | TERMOSTATO CON SONDA TR 2 0-90 BOILER | Thermostat with probe TR 2 0-90 boiler |
| 33 | 30518 | TERMOSTATO FISSO TY 60 55° VASCA E/S/T/P | Fixed thermostat TY 60 55° VASCA E/S/T/P |
| 34 | 30608 | ELETTROVALVOLA 180° | Solenoid 180° |

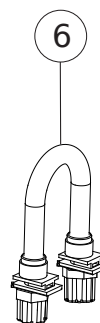
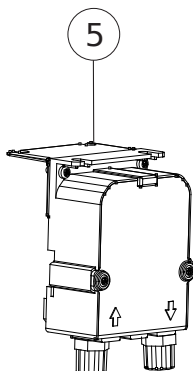
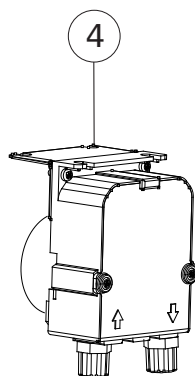
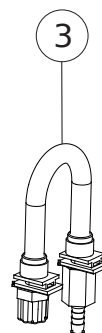
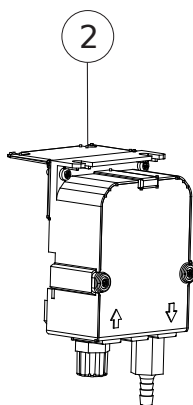
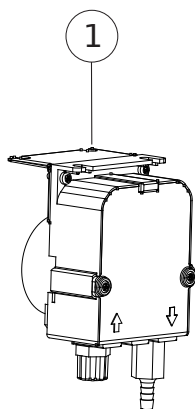
ta. 5



ta.5

| pos. | cod. | | |
|------|--------|-------------------------------|----------------------|
| 1 | 500500 | CHIOCCIOLA PER POMPA 60650 | Pump 60650 volute |
| 2 | 500510 | GIRANTE PER POMPA 60650 | Pump impeller |
| 3 | 500593 | TENUTA COMPLETA POMPA 60650 | Pump seal |
| 4 | 500595 | OR PER CHIOCCIOLA POMPA 60650 | Volute pump 60650 or |
| 5 | 60650 | POMPA 280 W | Pump 280 W |

ta. 6



ta.6

| pos. | cod. | | |
|------|-------|---------------------------------------|---|
| 1 | DB01 | DOSATORE BRILLANTANTE | Rinse aid doser |
| 2 | DB01C | CORPO DOSATORE BRILLANTANTE | Rinse-aid dosing pump body |
| 3 | DB01T | TUBO SILICONE X DOSATORE BRILLANTANTE | Silicone pipe for rinse aid dispenser (blue body) |
| 4 | DD01 | DOSATORE DETERSIVO | Detergent dosing pump |
| 5 | DD01C | CORPO DOSATORE DETERSIVO | Detergent dosing pump body |
| 6 | DD01T | TUBO SANTOPRENE X DOSATORE DETERSIVO | Santoprene detergent dispenser pipe (blue body) |