
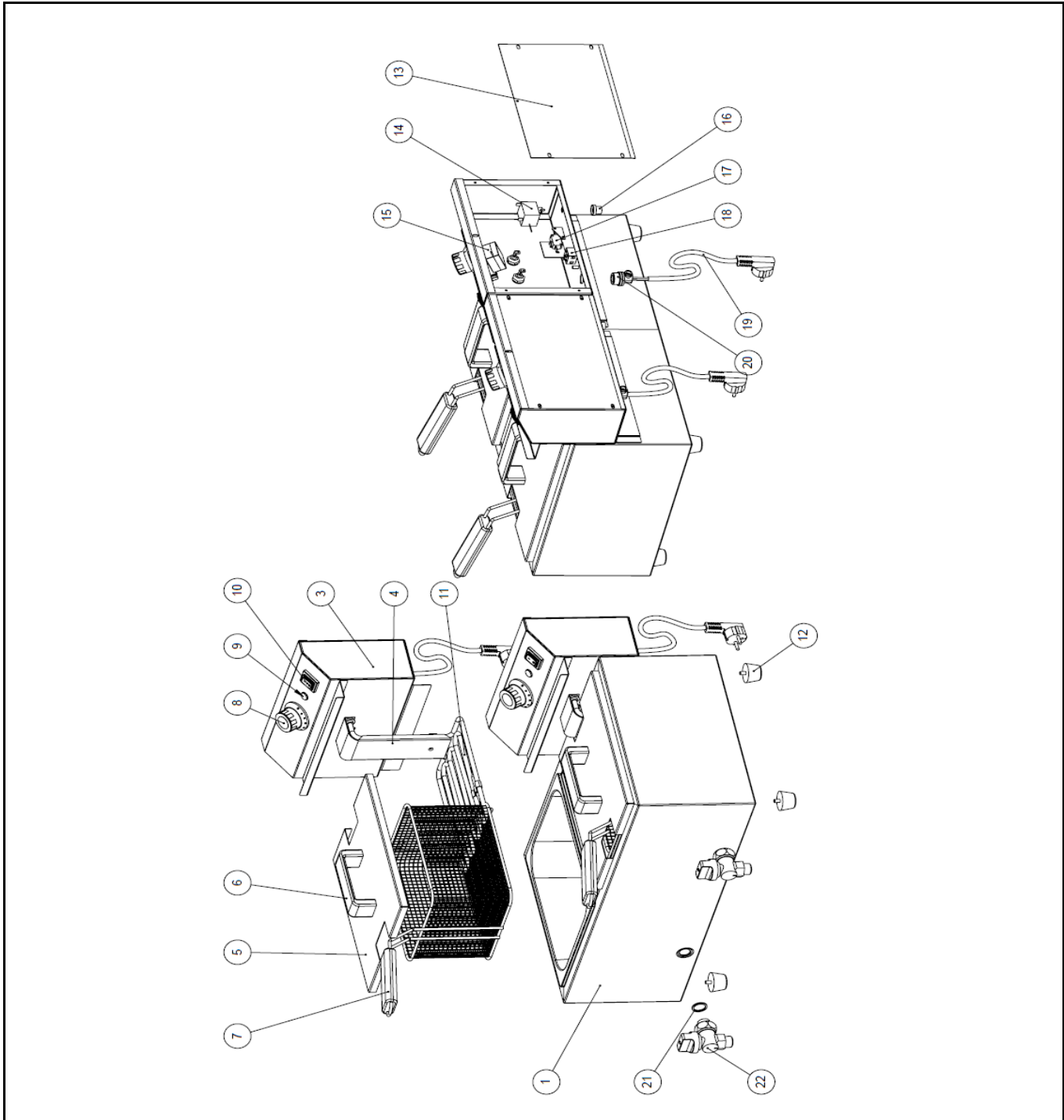


# Drawing


 <p><b>Hendi B.V.</b>                  Steenoven 21                  3911 TX Rhenen                  The Netherlands</p>	<b>Batch #</b>	<b>Appliance part#</b>
	Batch nr 401182 and up (except 401248)	<b>209301</b>
	<b>Description</b>	
	Deep fryer Mastercook with drain tap 2x8L	

<b>Date</b>	15-07-2015	<b>Revision #</b>	Revision version 1,0
<b>Revision</b>	New model.		

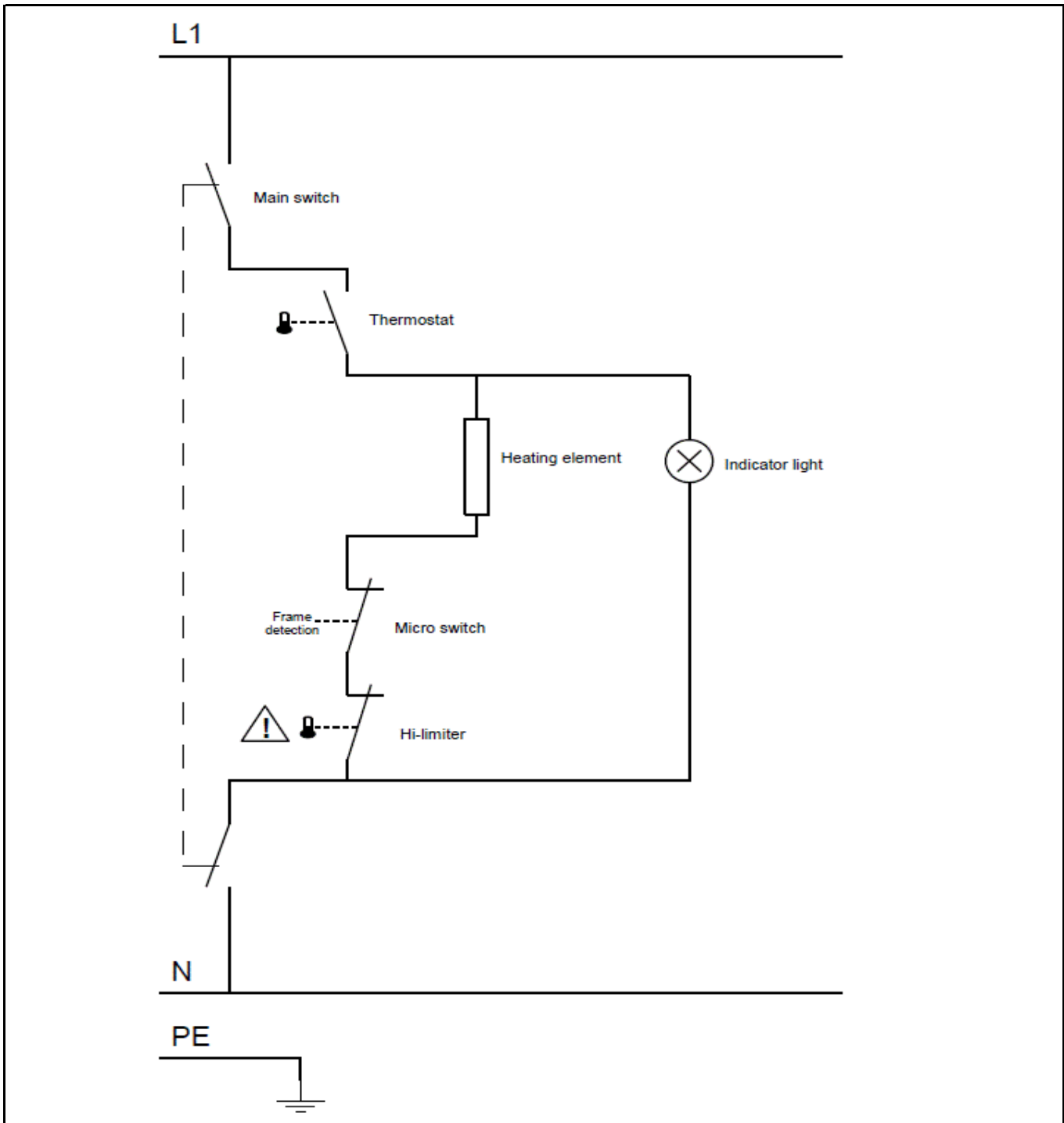





### Circuit diagram

 <b style="font-size: 24px; font-weight: bold; color: red;">HENDI</b> <small>FOOD SERVICE EQUIPMENT</small>  <b>Hendi B.V.</b> Steenoven 21 3911 TX Rhenen The Netherlands	<b>Batch #</b>	<b>Appliance part#</b>
	Batch nr 401182 and up (except 401248)	209301
	<b>Description</b>	
	Deep fryer Mastercook with drain tap 2x8L	

<b>Date</b>	15-07-2015	<b>Revision #</b>	Revision version 1,0
<b>Revision</b>	New model.		



## Wiring diagram

 <p><b>Hendi B.V.</b> Steenoven 21 3911 TX Rhenen The Netherlands</p>	<b>Batch #</b>	<b>Appliance part#</b>
	Batch nr 401182 and up (except 401248)	<b>209301</b>
	<b>Description</b>	
	Deep fryer Mastercook with drain tap 2x8L	

<b>Date</b>	15-07-2015	<b>Revision #</b>	Revision version 1,0
<b>Revision</b>	New model.		

