



# PLANETARY MIXER BM-5

Table-top model with 5-lt. / qt. bowl.



## INCLUDES

- ✓ Stainless steel bowl.
- ✓ Beater spatula for soft dough.
- ✓ Spiral hook for heavy dough.
- ✓ Balloon whisk.

## SALES DESCRIPTION

Designed for medium duty use.

DYNAMIC PREPARATION  
PLANETARY MIXERS



**www.sammic.co.uk**  
**Food Service Equipment Manufacturer**  
 Unit 2, Trevanth Road  
 Troon Industrial Park  
 LE4 9LS - Leicester  
 uksales@sammic.com  
 Tel.: +44 0116 246 1900



Project	Date
Item	Qty
Approved	

product sheet  
updated 06/03/2018



# PLANETARY MIXER BM-5

Table-top model with 5-lt. / qt. bowl.



## SPECIFICATIONS

Bowl capacity: 5 l

Capacity in flour (60% water): 1.5 Kg

Total loading: 250 W

### External dimensions (WxDxH)

✓ Width: 310 mm

✓ Depth: 382 mm

✓ Height: 537 mm

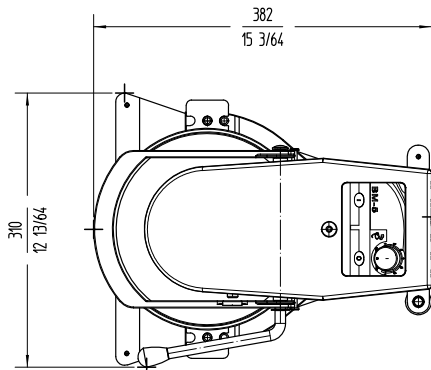
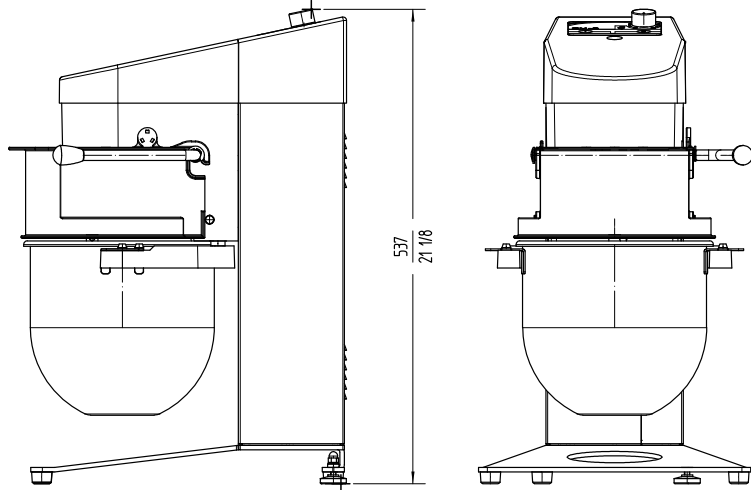
Noise level (1m.): <80 dB(A)

Background noise: 45 dB(A)

### Crated dimensions

360 x 430 x 565 mm

Gross weight: 20.1 Kg.



## AVAILABLE MODELS

1500170 Food mixer BM-5 230/50-60/1

\* Ask for special versions availability

## ACCESSORIES

Bowls for planetary mixers

DYNAMIC PREPARATION  
PLANETARY MIXERS



[www.sammic.co.uk](http://www.sammic.co.uk)

Food Service Equipment Manufacturer

Unit 2, Trevanah Road

Troon Industrial Park

LE4 9LS - Leicester

[uksales@sammic.com](mailto:uksales@sammic.com)

Tel.: +44 0116 246 1900



Project

Date

Item

Qty

Approved

product sheet  
updated 06/03/2018